



Chipsmall Limited consists of a professional team with an average of over 10 year of expertise in the distribution of electronic components. Based in Hongkong, we have already established firm and mutual-benefit business relationships with customers from,Europe,America and south Asia,supplying obsolete and hard-to-find components to meet their specific needs.

With the principle of “Quality Parts,Customers Priority,Honest Operation,and Considerate Service”,our business mainly focus on the distribution of electronic components. Line cards we deal with include Microchip,ALPS,ROHM,Xilinx,Pulse,ON,Everlight and Freescale. Main products comprise IC,Modules,Potentiometer,IC Socket,Relay,Connector.Our parts cover such applications as commercial,industrial, and automotives areas.

We are looking forward to setting up business relationship with you and hope to provide you with the best service and solution. Let us make a better world for our industry!



Contact us

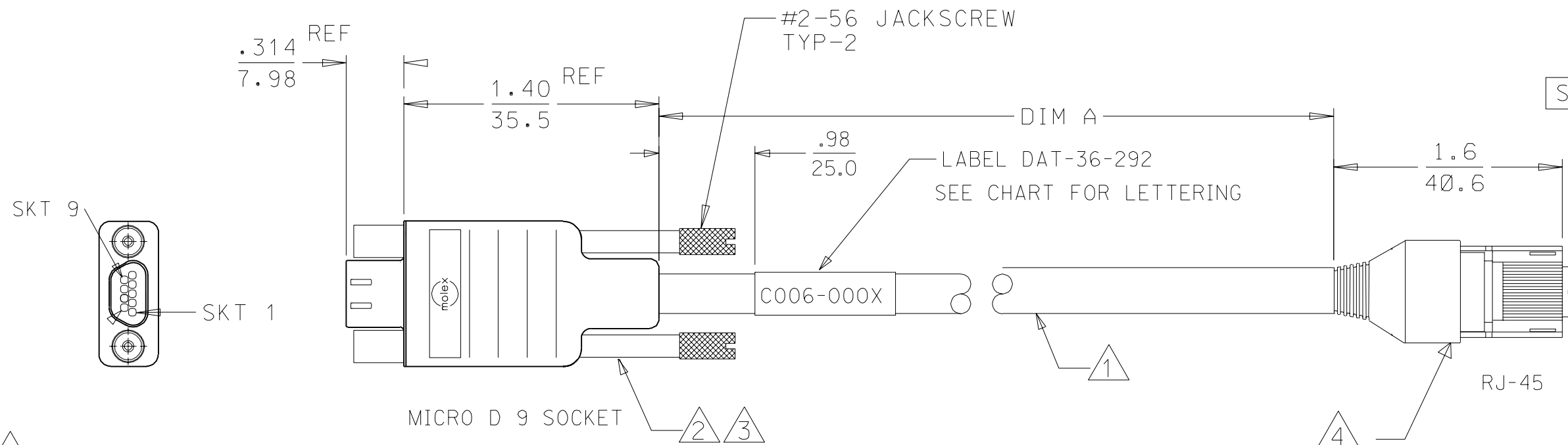
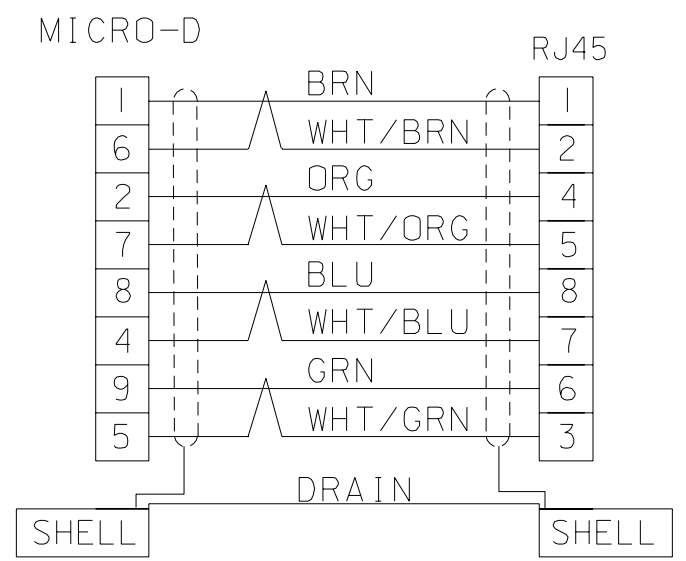
Tel: +86-755-8981 8866 Fax: +86-755-8427 6832

Email & Skype: info@chipsmall.com Web: www.chipsmall.com

Address: A1208, Overseas Decoration Building, #122 Zhenhua RD., Futian, Shenzhen, China



MATERIAL NO.	ENGINEERING NO.	DIM A	TOLERANCE	LABEL PRINT
834219224	83421-9224	4ft+/1200mm	+1.89-.945/+48-24mm	C006-0001
834219225	83421-9225	32.8ft+/10m	+4.0-2.5/+100-63.mm	C006-0002
834219226	83421-9226	9.85ft+/3m	+2.36-1.89/+60-48mm	C006-0003



- 4. MODULAR PLUG ASSEMBLY
SHIELDED RJ-45 8P8C
WITH 50 MICRO INCH GOLD PLATING
WITH S/R BOOT
- 3. REFER TO PS-83421-9000 FOR PRODUCT SPEC.
- 2. MICRO-D, 9 SOCKET FEMALE CONNECTOR (CRIMP TYPE)
CONTACTS: BRASS ALLOY, 30 MICRO INCH GOLD PLATED.
INSULATOR: PVC OVERMOLD, COLOR: BLACK.
WITH (2) #2-56 JACKSCREWS
- 1. CABLE: CAT 5E 26AWG 4 PAIR & DRAIN WIRE
8 CONDUCTOR, TINNED COPPER, 7 STRAND.
WIRE INSULATION: PVC
SHIELD: AL-FOIL/MYLAR. INCLUDING DRAIN WIRE & BRAID
OUTER CABLE JACKET: BLACK PVC.

RESTRICTED SALES DRAWING

NOTES: UNLESS OTHERWISE SPECIFIED.

CHNG TO SD IN MIDAS
EC NO. ETC2004-0077
DRWN: EMF 03/09/26
CHK: HEB 03/09/26
APPR: RSD 03/09/26

QUALITY SYMBOLS MAJOR =0 CRITICAL =0	GENERAL TOLERANCES: (UNLESS SPECIFIED)		SCALE NO:NE	DESIGN UNITS <input type="checkbox"/> mm <input checked="" type="checkbox"/> INCH	THIRD ANGLE PROJECTION	DIMENSIONS: <input type="checkbox"/> mm <input checked="" type="checkbox"/> INCH <input type="checkbox"/> mm ONLY	SHT	REV
	4 PLACES ±0.	±.	DRAWN BY & DATE JAL 03/04/07	TITLE: CABLE ASSEMBLY 9 SKT MICRO D TO 8 POS. MOD. PLUG ASSY W/OVERMOLD				
3 PLACES ±0.	±.005	CHECKED BY & DATE / /	APPROVED BY & DATE RWD 03/04/10				MATERIAL NO. SEE CHART	
2 PLACES ±0.13	±.010	CAD FILENAME RSD-83421-024DGN	DRAWING NO. RSD-83421-024				SHEET NO. 1 OF 1	
1 PLACE ±0.25	±.	ANGULAR: ±2 °		THIS DRAWING CONTAINS INFORMATION THAT IS PROPRIETARY TO MOLEX INCORPORATED AND SHOULD NOT BE USED WITHOUT WRITTEN PERMISSION.				SIZE B
DRAFT WHERE APPLICABLE MUST REMAIN WITHIN DIMENSIONS								