



Chipsmall Limited consists of a professional team with an average of over 10 year of expertise in the distribution of electronic components. Based in Hongkong, we have already established firm and mutual-benefit business relationships with customers from,Europe,America and south Asia,supplying obsolete and hard-to-find components to meet their specific needs.

With the principle of “Quality Parts,Customers Priority,Honest Operation,and Considerate Service”,our business mainly focus on the distribution of electronic components. Line cards we deal with include Microchip,ALPS,ROHM,Xilinx,Pulse,ON,Everlight and Freescale. Main products comprise IC,Modules,Potentiometer,IC Socket,Relay,Connector.Our parts cover such applications as commercial,industrial, and automotives areas.

We are looking forward to setting up business relationship with you and hope to provide you with the best service and solution. Let us make a better world for our industry!



Contact us

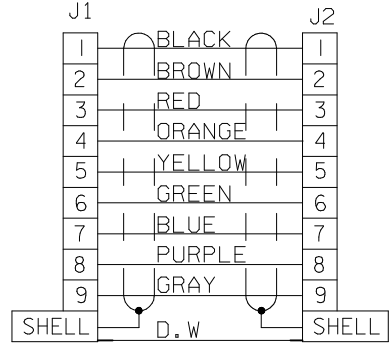
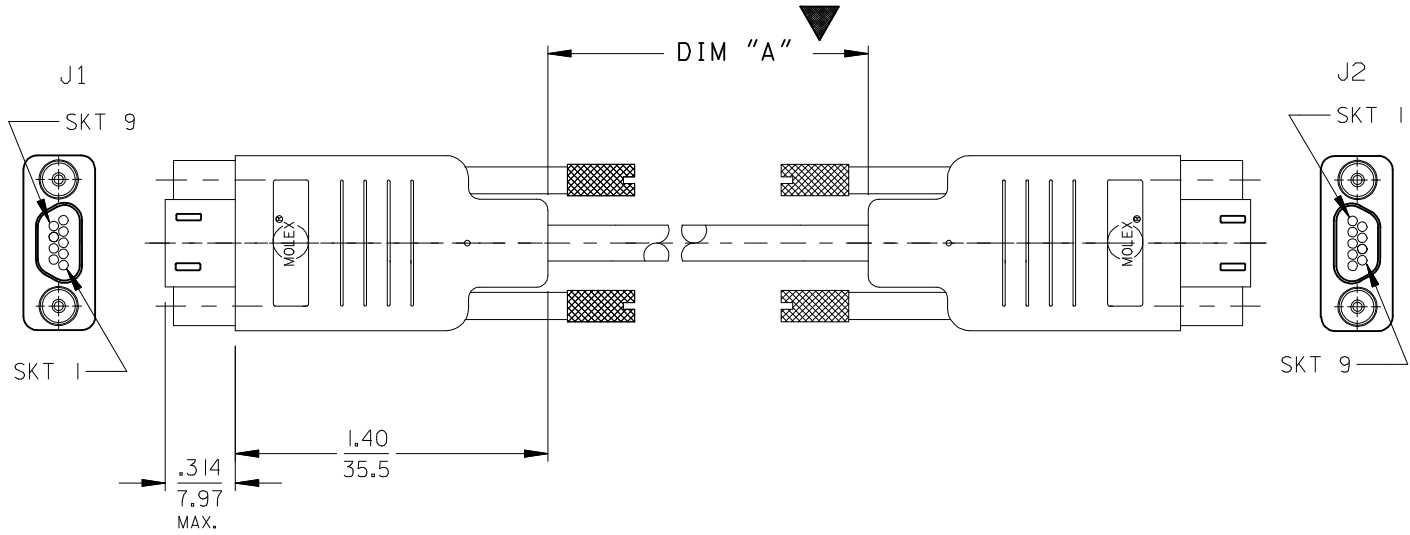
Tel: +86-755-8981 8866 Fax: +86-755-8427 6832

Email & Skype: info@chipsmall.com Web: www.chipsmall.com

Address: A1208, Overseas Decoration Building, #122 Zhenhua RD., Futian, Shenzhen, China



10	9	8	7
MATERIAL NO.	ENGINEERING NO.	DIM "A" INCH	DIM "A" (MM)
834219238	83421-9238	240+3.00-0.0	6100.0+76.2-00



SALES DRAWING

RELEASED TO PROD EC NO. ETC2004-0235 DRAWN: JAL 04/06/03 CHK: KM 04/06/03 APPR: RWD 04/06/03	DESCRIPTION MAJOR $\blacktriangledown = 1$ CRITICAL $\nabla = 0$	GENERAL TOLERANCES: (UNLESS SPECIFIED)		SCALE NO: NE	DESIGN UNITS <input type="checkbox"/> mm <input checked="" type="checkbox"/> INCH	THIRD ANGLE PROJECTION <input type="checkbox"/> mm <input checked="" type="checkbox"/> INCH <input type="checkbox"/> mm ONLY	SHT REV
		4 PLACES $\pm 0.$ $\pm .$		DRAWN BY & DATE JAL 02/03/26	TITLE: COMMERCIAL MICRO-D 9 SOCKET CABLE ASSEMBLY		
		3 PLACES $\pm 0.$ $\pm .005$		CHECKED BY & DATE HEB 02/03/27	MOLEX INCORPORATED		
		2 PLACES ± 0.13 ± 0.10		APPROVED BY & DATE RWD 02/03/28	MATERIAL NO. SEE CHART	DRAWING NO. SD-83421-035	SHEET NO. 1 OF 1
1 PLACE ± 0.3 $\pm .$		ANGULAR: $\pm 1/2^\circ$	CAD FILENAME SD83421-035.DGN		THIS DRAWING CONTAINS INFORMATION THAT IS PROPRIETARY TO MOLEX INCORPORATED AND SHOULD NOT BE USED WITHOUT WRITTEN PERMISSION.		SIZE B
REV A		DRAFT WHERE APPLICABLE MUST REMAIN WITHIN DIMENSIONS					