



Chipsmall Limited consists of a professional team with an average of over 10 year of expertise in the distribution of electronic components. Based in Hongkong, we have already established firm and mutual-benefit business relationships with customers from,Europe,America and south Asia,supplying obsolete and hard-to-find components to meet their specific needs.

With the principle of “Quality Parts,Customers Priority,Honest Operation,and Considerate Service”,our business mainly focus on the distribution of electronic components. Line cards we deal with include Microchip,ALPS,ROHM,Xilinx,Pulse,ON,Everlight and Freescale. Main products comprise IC,Modules,Potentiometer,IC Socket,Relay,Connector.Our parts cover such applications as commercial,industrial, and automotives areas.

We are looking forward to setting up business relationship with you and hope to provide you with the best service and solution. Let us make a better world for our industry!



Contact us

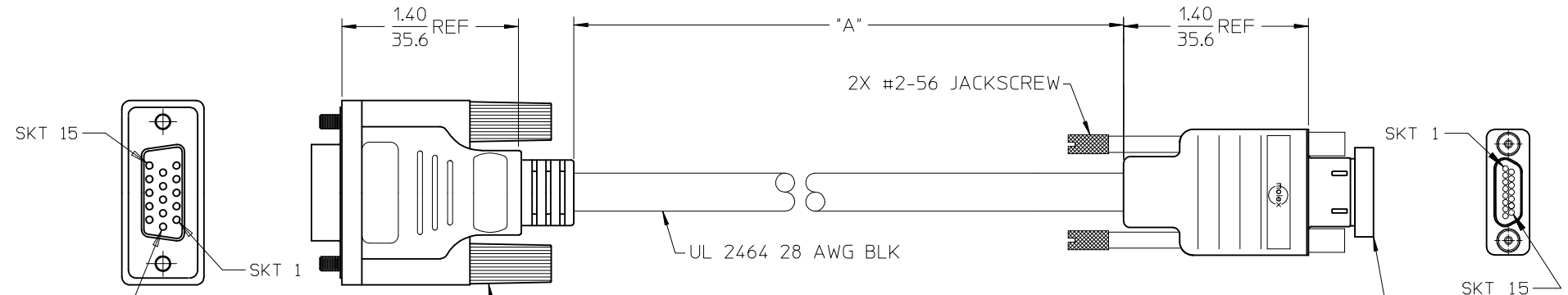
Tel: +86-755-8981 8866 Fax: +86-755-8427 6832

Email & Skype: info@chipsmall.com Web: www.chipsmall.com

Address: A1208, Overseas Decoration Building, #122 Zhenhua RD., Futian, Shenzhen, China



MATERIAL NO.	ENGINEERING NO.	DIM "A"
834229056	83422-9056	18"/457.2mm ±.5/13.0mm
834229057	83422-9057	36"/914.4mm ±.75/19.1mm
834229058	83422-9058	72"/1828.8mm ±1.50/38.1mm
834229063	83422-9063	7"/177.8mm ±.5/13.0mm
834229064	83422-9064	12"/304.8mm ±.5/13.0mm



P1		P2	
1	BLACK	1	
2	BROWN	2	
3	RED	3	
4	ORANGE	4	
5	YELLOW	5	
6	GREEN	6	
7	BLUE	7	
8	PURPLE	8	
9	GRAY	9	
10	WHITE	10	
11	W/BLK	11	
12	W/BRN	12	
13	W/RED	13	
14	W/ORG	14	
15	W/YEL	15	
SHELL	D.W+BD	SHELL	

SHIPPING PLUG-
DISCARD PRIOR TO CONNECTION
(NOT SHOWN ON SIDE VIEW)

P1
MICRO-D SOCKET
15 POSITION

SALES DRAWING

NOTES:
1) REFER TO PS-83421-001 FOR PRODUCT SPEC.
2) RoHS COMPLIANT

ADD PN 834229064 EC NO: IPG2013-0078 TDR: DRW: BRUPERT 2012/07/17 CHKD: APPR: JF MURPHY 2013/03/04 DESCRIPTION	QUALITY SYMBOLS	GENERAL TOLERANCES (UNLESS SPECIFIED)	DIMENSION STYLE	SCALE	DESIGN UNITS	THIRD ANGLE PROJECTION
	▽=0 ▽=0	mm INCH 4 PLACES ± --- ± --- 3 PLACES ± --- ± --- 2 PLACES ± --- ± --- 1 PLACE ± --- ± --- ANGULAR ±1/2°	IN/MM		INCH	
		DRAFT WHERE APPLICABLE MUST REMAIN WITHIN DIMENSIONS	DRAWN BY: JLOMASTR DATE: 04/08/27 CHECKED BY: REDROSS DATE: 04/09/09 APPROVED BY: RDEROSS DATE: 04/09/10	TITLE: CABLE ASSEMBLY CMD 15 POS SOCKET TO 15 POS D-SUB SOCKET		
			MATERIAL NO. SEE CHART SIZE: B	MOLEX INCORPORATED DOCUMENT NO. SD-83422-013		SHEET NO. 1 OF 1