



Chipsmall Limited consists of a professional team with an average of over 10 year of expertise in the distribution of electronic components. Based in Hongkong, we have already established firm and mutual-benefit business relationships with customers from,Europe,America and south Asia,supplying obsolete and hard-to-find components to meet their specific needs.

With the principle of “Quality Parts,Customers Priority,Honest Operation,and Considerate Service”,our business mainly focus on the distribution of electronic components. Line cards we deal with include Microchip,ALPS,ROHM,Xilinx,Pulse,ON,Everlight and Freescale. Main products comprise IC,Modules,Potentiometer,IC Socket,Relay,Connector.Our parts cover such applications as commercial,industrial, and automotives areas.

We are looking forward to setting up business relationship with you and hope to provide you with the best service and solution. Let us make a better world for our industry!



Contact us

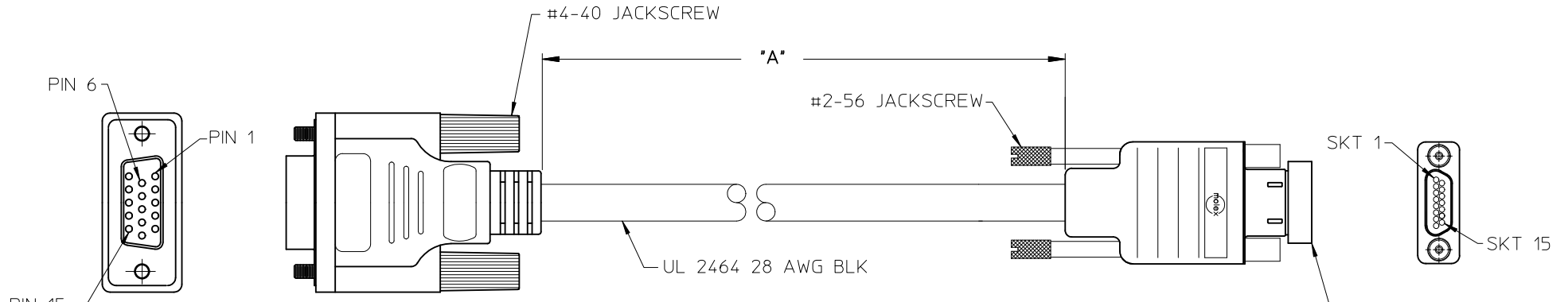
Tel: +86-755-8981 8866 Fax: +86-755-8427 6832

Email & Skype: info@chipsmall.com Web: www.chipsmall.com

Address: A1208, Overseas Decoration Building, #122 Zhenhua RD., Futian, Shenzhen, China



10	9	8	7
MATERIAL NO.	ENGINEERING NO.	DIM "A"	
834229059	83422-9059	18/457.2 ±.50/12.7	
834229060	83422-9060	36/914.4 ±.50/12.7	
834229061	83422-9061	72/1828.8 ±.50/12.7	



P2
D-SUB PIN

P1		P2	
1	BLACK	1	
2	BROWN	2	
3	RED	3	
4	ORANGE	4	
5	YELLOW	5	
6	GREEN	6	
7	BLUE	7	
8	PURPLE	8	
9	GRAY	9	
10	WHITE	10	
11	W/BLK	11	
12	W/BRN	12	
13	W/RED	13	
14	W/ORG	14	
15	W/YEL	15	
SHELL	D.W+BD	SHELL	

Ⓢ SHIPPING PLUG
DISCARD PRIOR TO CONNECTION
(NOT SHOWN OF SIDE VIEW)

P1
MICRO-D SOCKET

SALES DRAWING

NOTES:

- REFER TO PS-83421-001 FOR PRODUCT SPEC.
- RoHS COMPLIANT

UPDATE DOC EC NO: WNA2012-0102 DRW: BRUPERT 2011/08/12 CHKD: APPR: JFURPHY 2012/03/03 DESCRIPTION REV	QUALITY SYMBOLS	GENERAL TOLERANCES (UNLESS SPECIFIED)	DIMENSION STYLE	SCALE	DESIGN UNITS	THIRD ANGLE PROJECTION
	▽=0 ▽=0	mm INCH 4 PLACES ± --- ± --- 3 PLACES ± --- ± --- 2 PLACES ± --- ± --- 1 PLACE ± --- ± --- ANGULAR ±1/2°	IN/MM		INCH	
		DRAFT WHERE APPLICABLE MUST REMAIN WITHIN DIMENSIONS	DRAWN BY DATE JLMASTR 04/10/18 CHECKED BY DATE REDROSS 04/10/19 APPROVED BY DATE RDEROSS 04/10/20	TITLE	CABLE ASSEMBLY CMD 15 POS SOCKET TO 15 POS D-SUB PIN	
			MATERIAL NO.	SEE CHART	DOCUMENT NO.	MOLEX INCORPORATED SD-83422-015
			SIZE B	THIS DRAWING CONTAINS INFORMATION THAT IS PROPRIETARY TO MOLEX INCORPORATED AND SHOULD NOT BE USED WITHOUT WRITTEN PERMISSION		