



Chipsmall Limited consists of a professional team with an average of over 10 year of expertise in the distribution of electronic components. Based in Hongkong, we have already established firm and mutual-benefit business relationships with customers from,Europe,America and south Asia,supplying obsolete and hard-to-find components to meet their specific needs.

With the principle of “Quality Parts,Customers Priority,Honest Operation,and Considerate Service”,our business mainly focus on the distribution of electronic components. Line cards we deal with include Microchip,ALPS,ROHM,Xilinx,Pulse,ON,Everlight and Freescale. Main products comprise IC,Modules,Potentiometer,IC Socket,Relay,Connector.Our parts cover such applications as commercial,industrial, and automotives areas.

We are looking forward to setting up business relationship with you and hope to provide you with the best service and solution. Let us make a better world for our industry!



Contact us

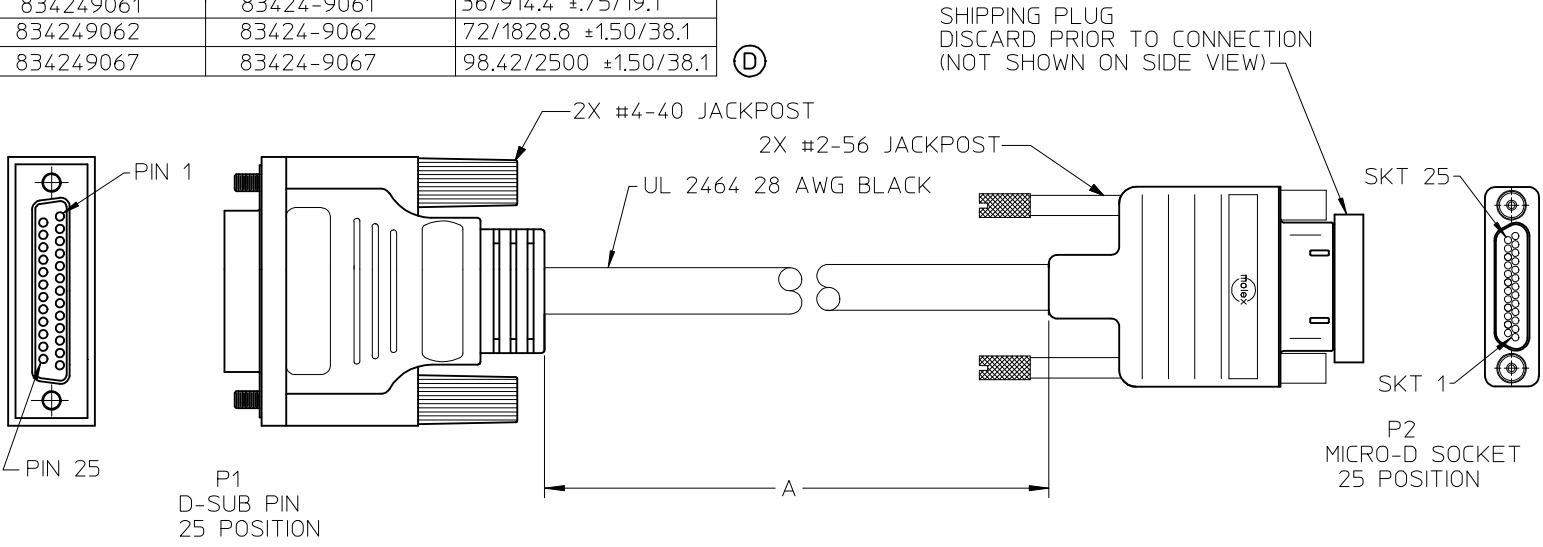
Tel: +86-755-8981 8866 Fax: +86-755-8427 6832

Email & Skype: info@chipsmall.com Web: www.chipsmall.com

Address: A1208, Overseas Decoration Building, #122 Zhenhua RD., Futian, Shenzhen, China



MATERIAL NO.	ENGINEERING NO.	DIM "A"
834249060	83424-9060	18/457.2 ±.50/12.7
834249061	83424-9061	36/914.4 ±.75/19.1
834249062	83424-9062	72/1828.8 ±1.50/38.1
834249067	83424-9067	98.42/2500 ±1.50/38.1



SHIPPING PLUG
DISCARD PRIOR TO CONNECTION
(NOT SHOWN ON SIDE VIEW)

P1		P2
1	BLACK	1
2	BROWN	2
3	RED	3
4	ORANGE	4
5	YELLOW	5
6	GREEN	6
7	BLUE	7
8	PURPLE	8
9	GRAY	9
10	WHITE	10
11	PINK	11
12	LIGHT GREEN	12
13	BLACK/WHITE	13
14	BROWN/WHITE	14
15	RED/WHITE	15
16	ORANGE/WHITE	16
17	GREEN/WHITE	17
18	BLUE/WHITE	18
19	PURPLE/WHITE	19
20	RED/BLACK	20
21	ORANGE/BLACK	21
22	YELLOW/BLACK	22
23	GREEN/BLACK	23
24	GRAY/BLACK	24
25	PINK/BLACK	25

SHELL D.W+BD SHELL

SALES DRAWING

NOTES:
1) REFER TO PS-834219-001 FOR PRODUCT SPEC.
2) RoHS COMPLIANT

ADD LAST PART NO. EC NO: IPG2015-177 DR: WNBARDEN 2015/04/01 CHKD: BWOODMAN 2015/04/21 APPR: BWOODMAN 2015/04/21	QUALITY SYMBOLS	GENERAL TOLERANCES (UNLESS SPECIFIED)	DIMENSION STYLE IN/MM	SCALE	DESIGN UNITS INCH	THIRD ANGLE PROJECTION
	▽=0	4 PLACES ± --- ± ---	DRAWN BY DATE	TITLE	CABLE ASSEMBLY CMD 25 POS SOCKET TO 25 POS D-SUB PIN	MOLEX INCORPORATED
	▽=0	3 PLACES ± --- ± ---	JLOMASTR 05/04/18			
		2 PLACES ± --- ± ---	CHECKED BY DATE	RWD 05/04/20	DOCUMENT NO.	SD-83424-060
	1 PLACE ± --- ± ---	APPROVED BY DATE	RDEROSS 05/04/21	MATERIAL NO.		1 OF 1
		ANGULAR ± 1 °				
		DRAFT WHERE APPLICABLE MUST REMAIN WITHIN DIMENSIONS	SEE CHART			
			SIZE B	THIS DRAWING CONTAINS INFORMATION THAT IS PROPRIETARY TO MOLEX INCORPORATED AND SHOULD NOT BE USED WITHOUT WRITTEN PERMISSION		