



Chipsmall Limited consists of a professional team with an average of over 10 year of expertise in the distribution of electronic components. Based in Hongkong, we have already established firm and mutual-benefit business relationships with customers from,Europe,America and south Asia,supplying obsolete and hard-to-find components to meet their specific needs.

With the principle of "Quality Parts,Customers Priority,Honest Operation,and Considerate Service",our business mainly focus on the distribution of electronic components. Line cards we deal with include Microchip,ALPS,ROHM,Xilinx,Pulse,ON,Everlight and Freescale. Main products comprise IC,Modules,Potentiometer,IC Socket,Relay,Connector.Our parts cover such applications as commercial,industrial, and automotives areas.

We are looking forward to setting up business relationship with you and hope to provide you with the best service and solution. Let us make a better world for our industry!



## Contact us

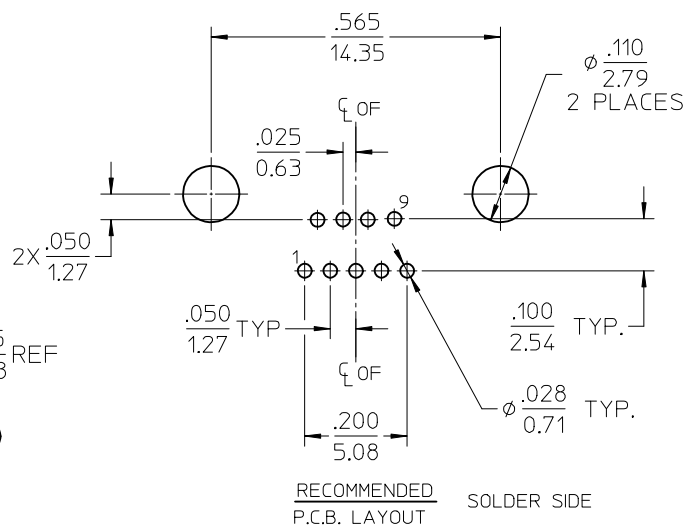
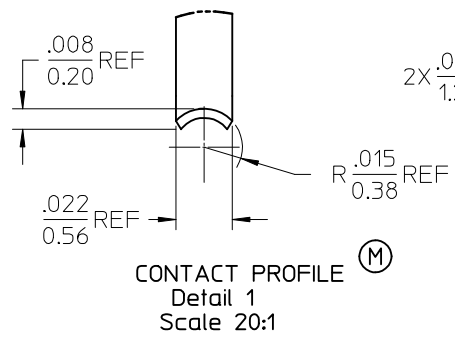
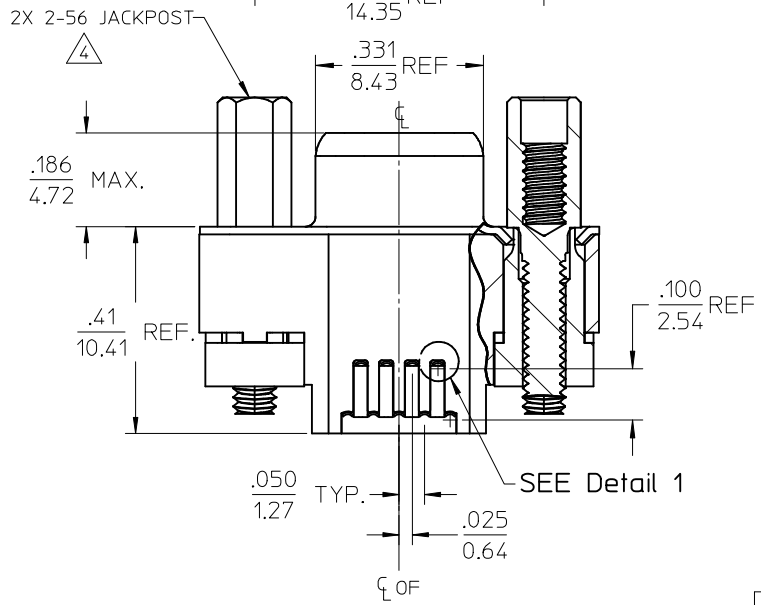
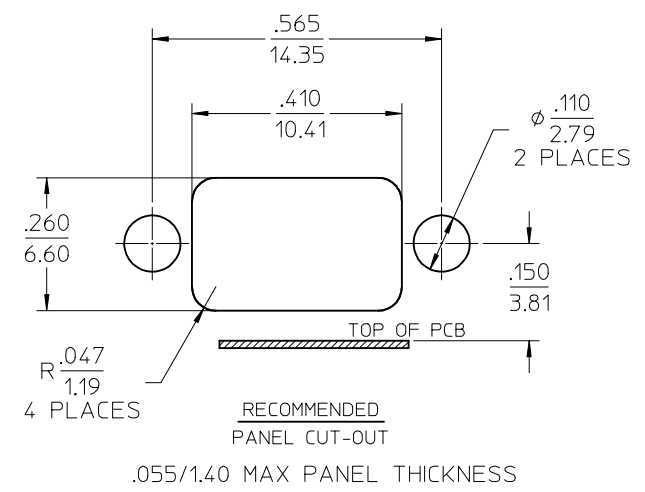
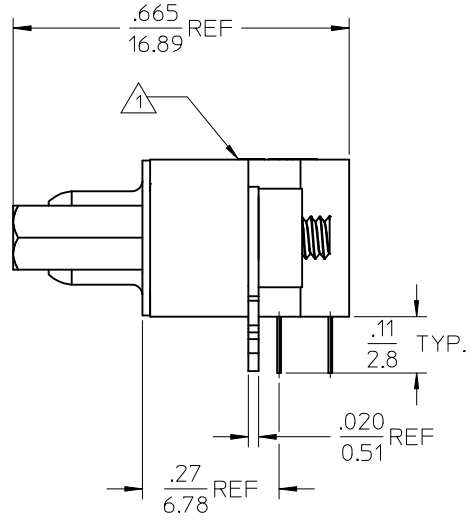
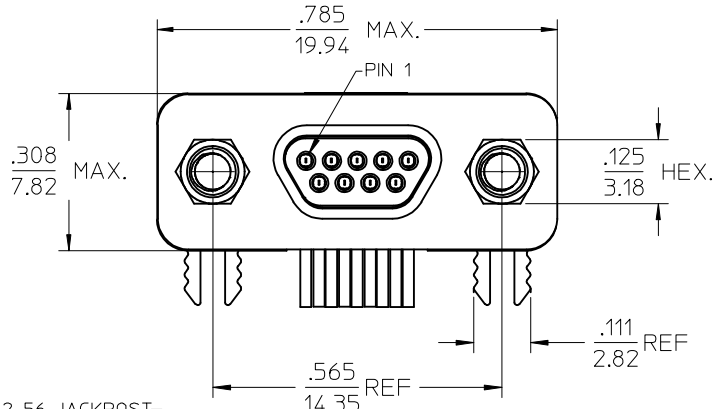
Tel: +86-755-8981 8866 Fax: +86-755-8427 6832

Email & Skype: info@chipsmall.com Web: www.chipsmall.com

Address: A1208, Overseas Decoration Building, #122 Zhenhua RD., Futian, Shenzhen, China



10	9	8	7	6	5	4	3	2	1
MATERIAL NO.	ENG. NO.								
836119006	83611-9006								
836119201	83611-9201								



- NOTES:
- 1 DATE CODE : 08(YR)XX(WEEK)C(CHINA)
  - 2. SEE PS-83421-9000
  - 3. ROHS COMPLIANT.
  - 4 2.5 IN/LB TORQUE MAX.

ADD CONTACT PROFILE EC NO: IFG2013-0813 DRWN:RUPERT CHKD: APPR: J MURPHY REV M	DESCRIPTION 2012/11/30 2013/01/18	QUALITY SYMBOLS	GENERAL TOLERANCES (UNLESS SPECIFIED)	DIMENSION STYLE		SCALE	DESIGN UNITS	THIRD ANGLE PROJECTION	
		<p>▽=0</p> <p>∇=0</p>		mm	INCH	4:1	INCH		
		4 PLACES	± ---	± ---	DRAWN BY	DATE	TITLE		
		3 PLACES	± ---	± .005	JLOMASTR	04/09/21	CONN,COMMERCIAL-D,PLUG		
		2 PLACES	± 0.13	± .010	CHECKED BY	DATE	RT ANGLE,JKPOST,SIZE 9		
		1 PLACE	± 0.25	± ---	RDEROSS	04/09/28			
		ANGULAR ± 1 °		APPROVED BY	DATE	MOLEX INCORPORATED			
		DRAFT WHERE APPLICABLE MUST REMAIN WITHIN DIMENSIONS		RDEROSS	04/09/28	DOCUMENT NO.		SHEET NO.	
		SEE CHART		MATERIAL NO.		SD-83611-001		1 OF 1	
		SIZE A3		THIS DRAWING CONTAINS INFORMATION THAT IS PROPRIETARY TO MOLEX INCORPORATED AND SHOULD NOT BE USED WITHOUT WRITTEN PERMISSION					