



Chipsmall Limited consists of a professional team with an average of over 10 year of expertise in the distribution of electronic components. Based in Hongkong, we have already established firm and mutual-benefit business relationships with customers from,Europe,America and south Asia,supplying obsolete and hard-to-find components to meet their specific needs.

With the principle of “Quality Parts,Customers Priority,Honest Operation,and Considerate Service”,our business mainly focus on the distribution of electronic components. Line cards we deal with include Microchip,ALPS,ROHM,Xilinx,Pulse,ON,Everlight and Freescale. Main products comprise IC,Modules,Potentiometer,IC Socket,Relay,Connector.Our parts cover such applications as commercial,industrial, and automotives areas.

We are looking forward to setting up business relationship with you and hope to provide you with the best service and solution. Let us make a better world for our industry!



## Contact us

Tel: +86-755-8981 8866 Fax: +86-755-8427 6832

Email & Skype: info@chipsmall.com Web: www.chipsmall.com

Address: A1208, Overseas Decoration Building, #122 Zhenhua RD., Futian, Shenzhen, China



10 9 8 7 6 5 4 3 2 1

F

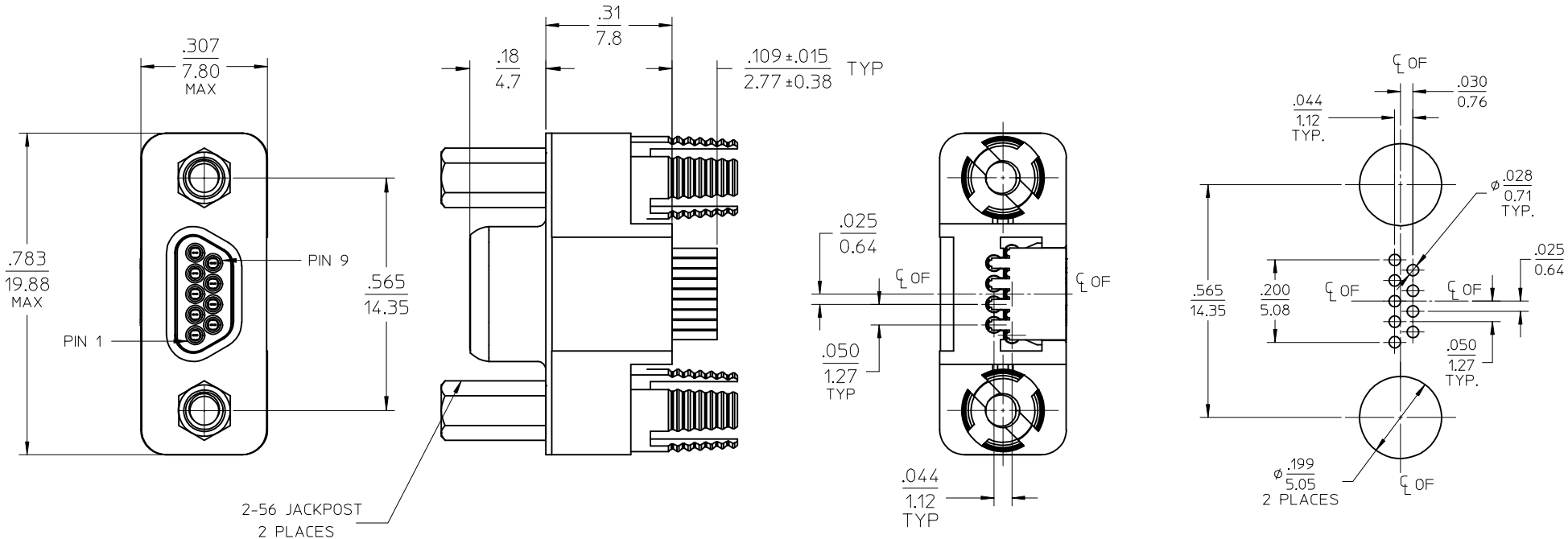
E

D

C

B

A



RECOMMENDED  
P.C.B. LAY-OUT  
.060/1.52 PANEL THICKNESS

2. RoHS COMPLIANT  
1. REFER TO PS-83421-9000 FOR PRODUCT SPECIFICATION.  
NOTES: UNLESS OTHERWISE SPECIFIED.

UPDATED JACKPOSTS EC NO: IFG2014-1899 DRWN: BARDEN CHKD: APPR: BWOODMAN 2014/08/11 2014/08/21	QUALITY SYMBOLS ▽=0 C=0	GENERAL TOLERANCES (UNLESS SPECIFIED)		DIMENSION STYLE IN/MM		SCALE 4:1	DESIGN UNITS INCH	THIRD ANGLE PROJECTION	
		4 PLACES ± --- ± ---	mm INCH	DRAWN BY O. URBACH	DATE 14 JUNE 00	TITLE CONN, PLUG, VERT COMM-D, SIZE 9			
		3 PLACES ± --- ± .005		CHECKED BY AW	DATE 20 JUL 00	MOLEX INCORPORATED			
		2 PLACES ± 0.13 ± .010 1 PLACE ± 0.25 ± --- ANGULAR ± 2 °		APPROVED BY JFMURPHY	DATE 2009/10/23	MATERIAL NO. 836119023	DOCUMENT NO. SD-83611-9023	SHEET NO. 1 OF 1	
DRAFT WHERE APPLICABLE MUST REMAIN WITHIN DIMENSIONS		SIZE A3		THIS DRAWING CONTAINS INFORMATION THAT IS PROPRIETARY TO MOLEX INCORPORATED AND SHOULD NOT BE USED WITHOUT WRITTEN PERMISSION					

9 8 7 6 5 4 3 2 1