



Chipsmall Limited consists of a professional team with an average of over 10 year of expertise in the distribution of electronic components. Based in Hongkong, we have already established firm and mutual-benefit business relationships with customers from,Europe,America and south Asia,supplying obsolete and hard-to-find components to meet their specific needs.

With the principle of "Quality Parts,Customers Priority,Honest Operation,and Considerate Service",our business mainly focus on the distribution of electronic components. Line cards we deal with include Microchip,ALPS,ROHM,Xilinx,Pulse,ON,Everlight and Freescale. Main products comprise IC,Modules,Potentiometer,IC Socket,Relay,Connector.Our parts cover such applications as commercial,industrial, and automotives areas.

We are looking forward to setting up business relationship with you and hope to provide you with the best service and solution. Let us make a better world for our industry!



Contact us

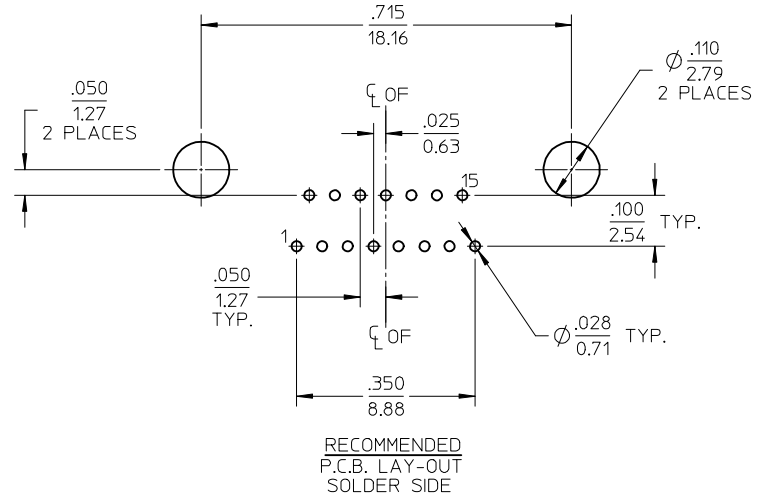
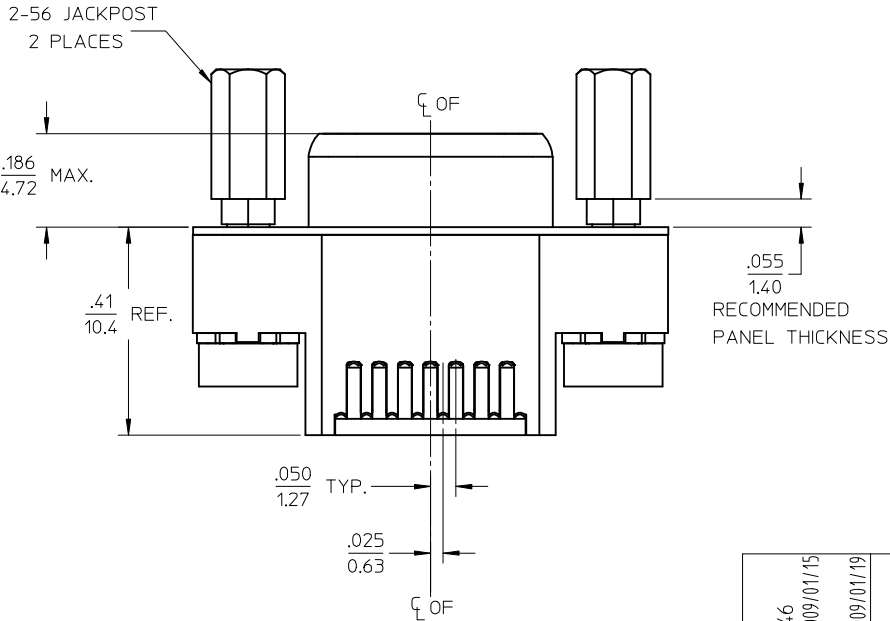
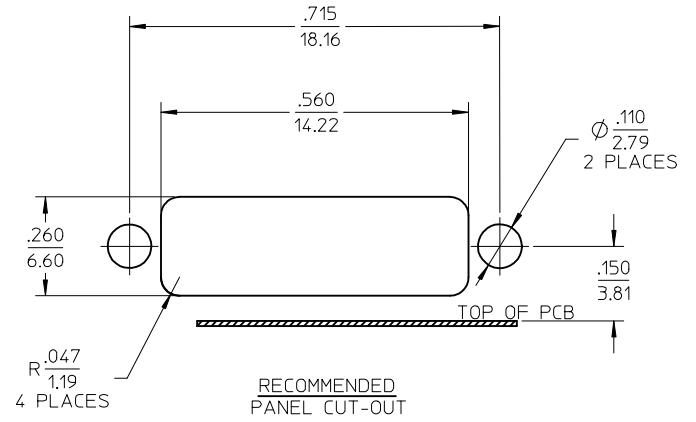
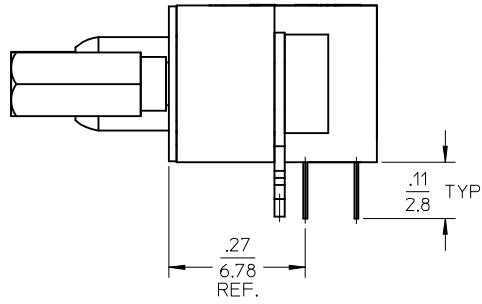
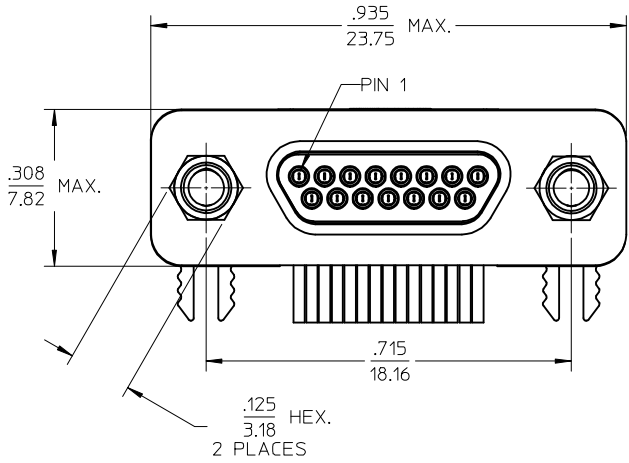
Tel: +86-755-8981 8866 Fax: +86-755-8427 6832

Email & Skype: info@chipsmall.com Web: www.chipsmall.com

Address: A1208, Overseas Decoration Building, #122 Zhenhua RD., Futian, Shenzhen, China



| | | | | | | | | | |
|--------------|------------|---|---|---|---|---|---|---|---|
| 10 | 9 | 8 | 7 | 6 | 5 | 4 | 3 | 2 | 1 |
| MATERIAL NO. | ENG. NO. | | | | | | | | |
| 836129020 | 83612-9020 | | | | | | | | |



SALES DRAWING

NOTE:
 1. REFER TO PS-83421-9000 FOR PRODUCT SPECIFICATION.
 2. RoHS COMPLIANT

| | | | | | | | | | |
|---|--|---------------------------------------|--------------|-----------------|---|---|--------------------|------------------------|--|
| REDRAWN EC NO: WNA2008-0146 DRWN: RUPERT CHKD: APPR: JF MURPHY 2009/01/15 2009/01/19 | QUALITY SYMBOLS | GENERAL TOLERANCES (UNLESS SPECIFIED) | | DIMENSION STYLE | | SCALE | DESIGN UNITS | THIRD ANGLE PROJECTION | |
| | $\nabla=0$ $\square=0$ | mm | INCH | IN/MM | | 4:1 | INCH | | |
| | | 4 PLACES ± --- | ± --- | DRAWN BY | DATE | TITLE | | | |
| | | 3 PLACES ± --- | ± .005 | JLOMASTR | 04/09/20 | CONNECTOR COMMERCIAL MICRO D R/A SIZE 15 | | | |
| | 2 PLACES ± 0.13 | ± .01 | CHECKED BY | DATE | | | | | |
| | 1 PLACE ± 0.25 | ± --- | RDEROSS | 04/09/27 | | | | | |
| | ANGULAR ± 1 ° | | APPROVED BY | DATE | | | | | |
| | | | RDEROSS | 04/09/28 | | | | | |
| | DRAFT WHERE APPLICABLE MUST REMAIN WITHIN DIMENSIONS | | MATERIAL NO. | | DOCUMENT NO. | | | | |
| | | | SEE CHART | | SD-83612-002 | | MOLEX INCORPORATED | | |
| | | | SIZE A3 | | THIS DRAWING CONTAINS INFORMATION THAT IS PROPRIETARY TO MOLEX INCORPORATED AND SHOULD NOT BE USED WITHOUT WRITTEN PERMISSION | | | | |
| | | | | | | | SHEET NO. 1 OF 1 | | |