



Chipsmall Limited consists of a professional team with an average of over 10 year of expertise in the distribution of electronic components. Based in Hongkong, we have already established firm and mutual-benefit business relationships with customers from,Europe,America and south Asia,supplying obsolete and hard-to-find components to meet their specific needs.

With the principle of “Quality Parts,Customers Priority,Honest Operation,and Considerate Service”,our business mainly focus on the distribution of electronic components. Line cards we deal with include Microchip,ALPS,ROHM,Xilinx,Pulse,ON,Everlight and Freescale. Main products comprise IC,Modules,Potentiometer,IC Socket,Relay,Connector.Our parts cover such applications as commercial,industrial, and automotives areas.

We are looking forward to setting up business relationship with you and hope to provide you with the best service and solution. Let us make a better world for our industry!



Contact us

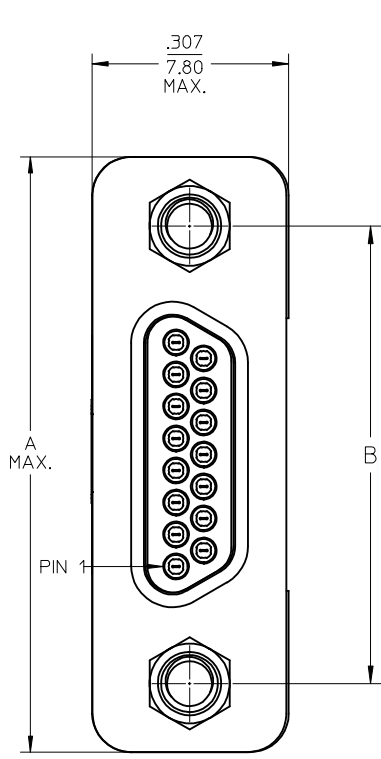
Tel: +86-755-8981 8866 Fax: +86-755-8427 6832

Email & Skype: info@chipsmall.com Web: www.chipsmall.com

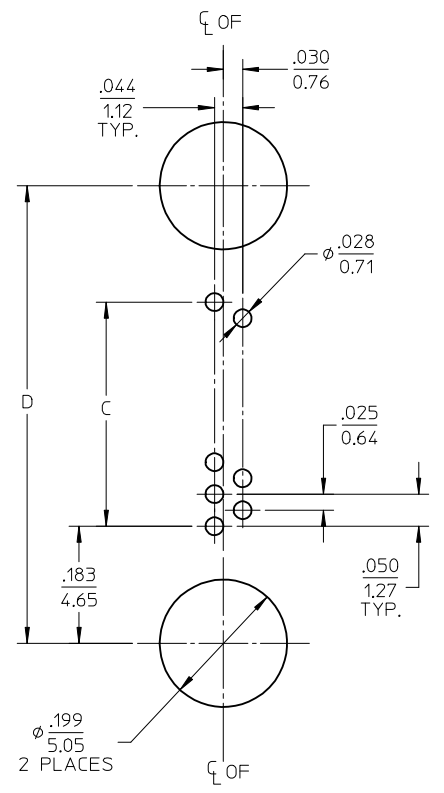
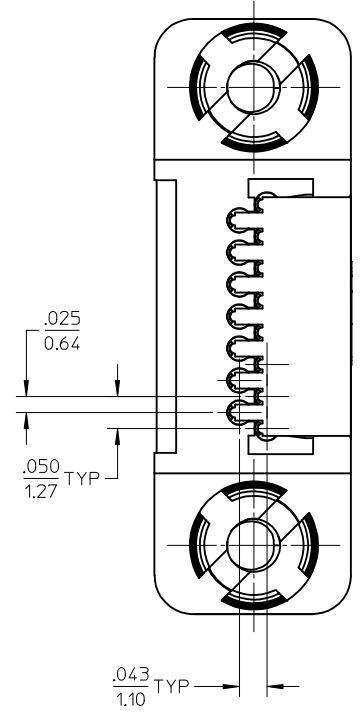
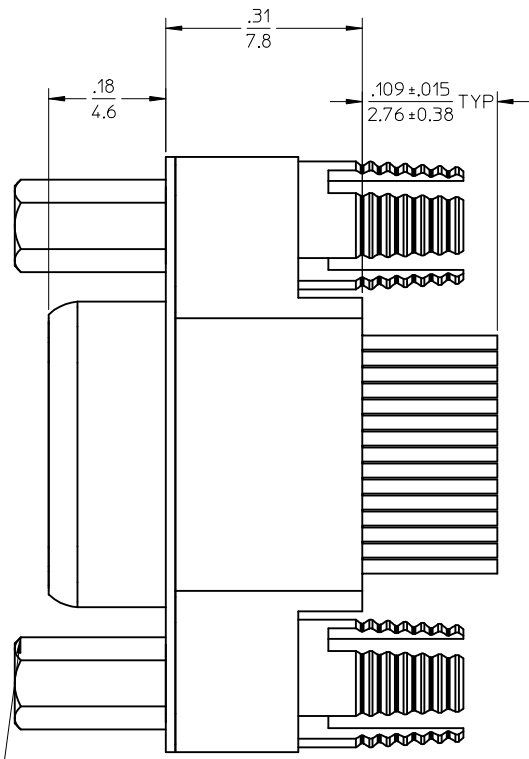
Address: A1208, Overseas Decoration Building, #122 Zhenhua RD., Futian, Shenzhen, China



10	9	8	7	6	5	4	3	2	1
PART NUMBER	SIZE	A MAX.	B NOM.	C REF.	D NOM.				
836129024	15	.935	.715	.350	.715				



2-56 JACKPOST
2 PLACES



RECOMMENDED
P.C.B. LAY-OUT
.060/152 PANEL THICKNESS

2. RoHS COMPLIANT
1. REFER TO PS-83421-9000 FOR PRODUCT SPECIFICATION.
NOTES: UNLESS OTHERWISE SPECIFIED.

UPDATED JACKPOSTS	2014/08/11
EC NO: IFG2014-1899	
DRWN: BARDEN	
CHKD:	
APPR: BWOODMAN	
REV	DESCRIPTION

QUALITY SYMBOLS	▽=0
	∠=0

GENERAL TOLERANCES (UNLESS SPECIFIED)	mm	INCH
	4 PLACES ± .005	± .005
	3 PLACES ± .010	± .010
	2 PLACES ± 0.13	± .010
	1 PLACE ± 0.25	± .010
	ANGULAR ± 2 °	
DRAFT WHERE APPLICABLE MUST REMAIN WITHIN DIMENSIONS		

DIMENSION STYLE IN/MM	
DRAWN BY D. URBACH	DATE 23OCT00
CHECKED BY D. URBACH	DATE 23OCT00
APPROVED BY D. URBACH	DATE 23OCT00
MATERIAL NO. SEE CHART	

SCALE 5:1	DESIGN UNITS INCH	THIRD ANGLE PROJECTION
TITLE CONN, COMM-D, PLUG, VERT JACKPOST, SIZE 15		
MOLEX INCORPORATED		
DOCUMENT NO. SD-83612-9024	SHEET NO. 1 OF 1	
THIS DRAWING CONTAINS INFORMATION THAT IS PROPRIETARY TO MOLEX INCORPORATED AND SHOULD NOT BE USED WITHOUT WRITTEN PERMISSION		