



Chipsmall Limited consists of a professional team with an average of over 10 year of expertise in the distribution of electronic components. Based in Hongkong, we have already established firm and mutual-benefit business relationships with customers from,Europe,America and south Asia,supplying obsolete and hard-to-find components to meet their specific needs.

With the principle of “Quality Parts,Customers Priority,Honest Operation,and Considerate Service”,our business mainly focus on the distribution of electronic components. Line cards we deal with include Microchip,ALPS,ROHM,Xilinx,Pulse,ON,Everlight and Freescale. Main products comprise IC,Modules,Potentiometer,IC Socket,Relay,Connector.Our parts cover such applications as commercial,industrial, and automotives areas.

We are looking forward to setting up business relationship with you and hope to provide you with the best service and solution. Let us make a better world for our industry!



Contact us

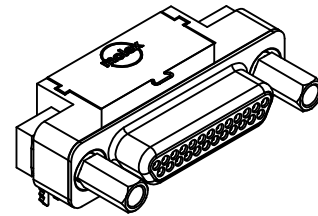
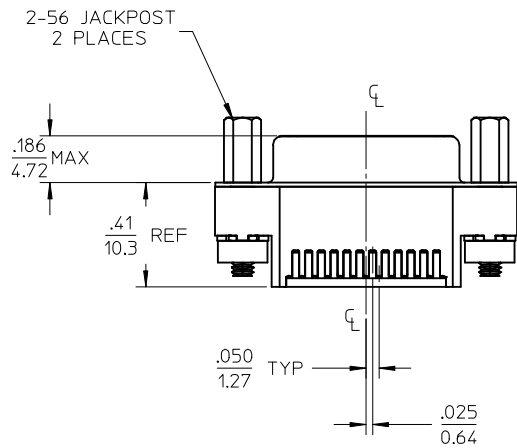
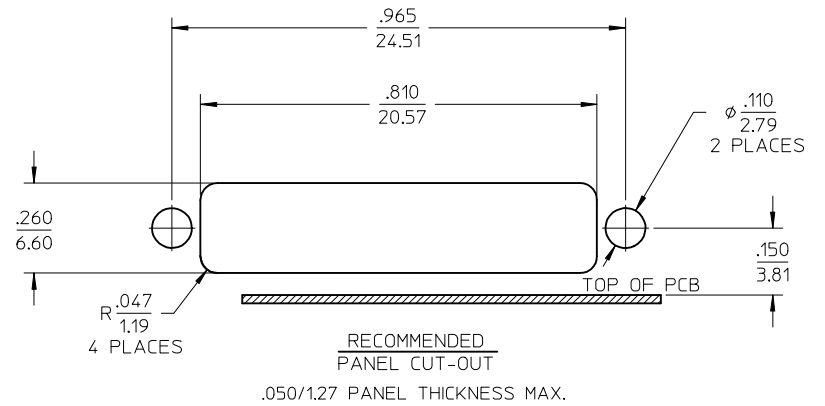
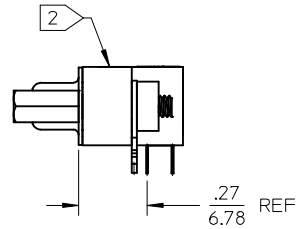
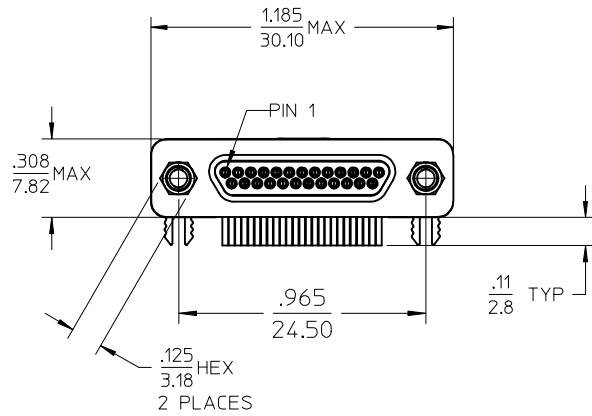
Tel: +86-755-8981 8866 Fax: +86-755-8427 6832

Email & Skype: info@chipsmall.com Web: www.chipsmall.com

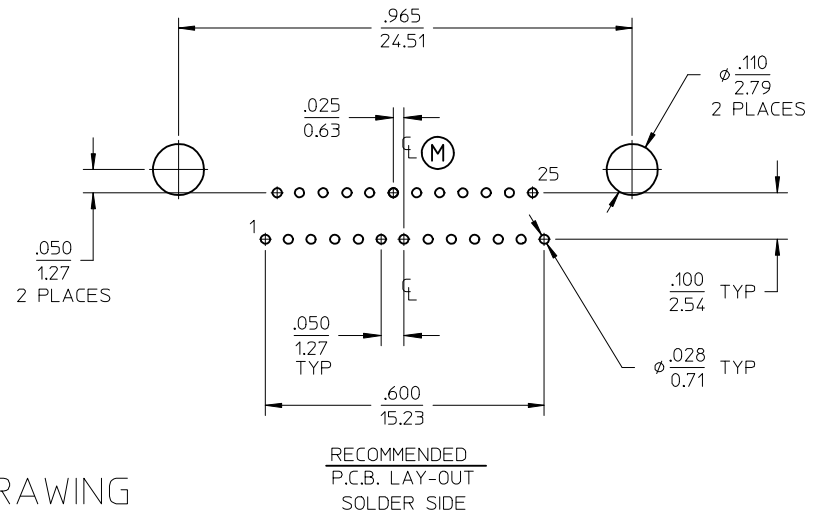
Address: A1208, Overseas Decoration Building, #122 Zhenhua RD., Futian, Shenzhen, China



10	9	8	7	6	5	4	3	2	1
MATERIAL NO.	ENG. NO.								
836149012	83614-9012								



RECOMMENDED PANEL THICKNESS .055(1.4) REF



SALES DRAWING

- 3. ROHS COMPLIANT
 - 2. DATE CODE LOCATION
 - 1. REFER TO PS-83421-9000 FOR PRODUCT SPECIFICATION.
- NOTES: UNLESS OTHERWISE SPECIFIED.

UPDATE C.L. DIM EC NO: IPG2015-2074 DRWN:BRUPERT 2015/06/02 CHKD: APPR:WOODMAN 2015/06/09 M	DESCRIPTION QUALITY SYMBOLS ▽=0 ◻=0	GENERAL TOLERANCES (UNLESS SPECIFIED)		DIMENSION STYLE IN/MM		SCALE 2:1	DESIGN UNITS INCH	THIRD ANGLE PROJECTION		
			mm	INCH	DRAWN BY	DATE	TITLE			
		4 PLACES	± ---	± ---	JLOMASTR	04/09/22	COMM-D,PLG,RT ANG SIZE 25,REM.JKPOST			
		3 PLACES	± ---	± .005	CHECKED BY	DATE				
2 PLACES	± 0.13	± .01	RDEROSS	04/09/27	MOLEX INCORPORATED					
1 PLACE	± 0.25	± ---	APPROVED BY	DATE						
DRAFT WHERE APPLICABLE MUST REMAIN WITHIN DIMENSIONS		ANGULAR ± 1/2°		MATERIAL NO. SEE CHART		DOCUMENT NO. SD-83614-001		SHEET NO. 1 OF 1		
THIS DRAWING CONTAINS INFORMATION THAT IS PROPRIETARY TO MOLEX INCORPORATED AND SHOULD NOT BE USED WITHOUT WRITTEN PERMISSION										