



Chipsmall Limited consists of a professional team with an average of over 10 year of expertise in the distribution of electronic components. Based in Hongkong, we have already established firm and mutual-benefit business relationships with customers from,Europe,America and south Asia,supplying obsolete and hard-to-find components to meet their specific needs.

With the principle of “Quality Parts,Customers Priority,Honest Operation,and Considerate Service”,our business mainly focus on the distribution of electronic components. Line cards we deal with include Microchip,ALPS,ROHM,Xilinx,Pulse,ON,Everlight and Freescale. Main products comprise IC,Modules,Potentiometer,IC Socket,Relay,Connector.Our parts cover such applications as commercial,industrial, and automotives areas.

We are looking forward to setting up business relationship with you and hope to provide you with the best service and solution. Let us make a better world for our industry!



Contact us

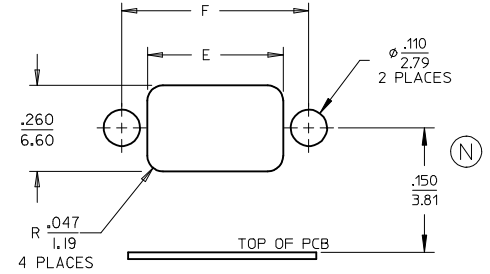
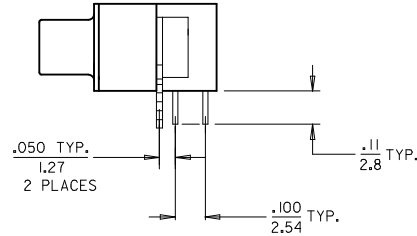
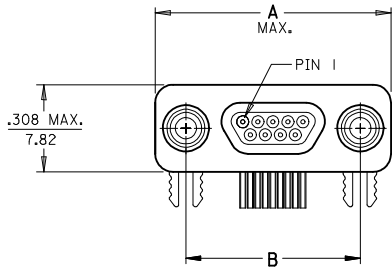
Tel: +86-755-8981 8866 Fax: +86-755-8427 6832

Email & Skype: info@chipsmall.com Web: www.chipsmall.com

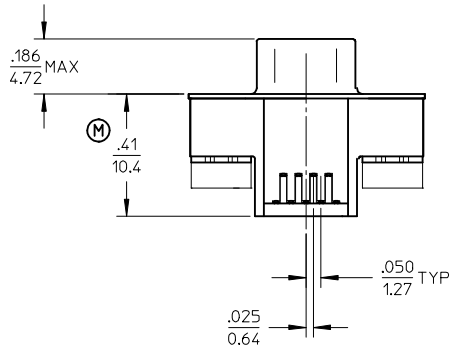
Address: A1208, Overseas Decoration Building, #122 Zhenhua RD., Futian, Shenzhen, China



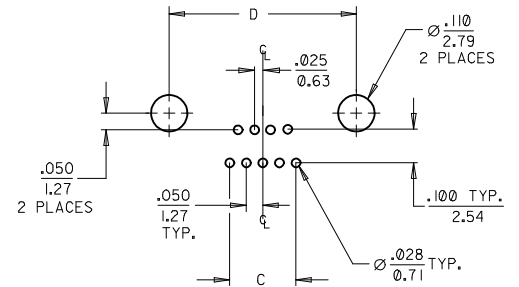
MATERIAL NO.	ENG. NO.	SIZE	A MAX.	B	C	D	E	F
836119016	83611-9016	9	.783/19.93	.565/14.35	.200/5.08	.565/14.35	.410/10.41	.565/14.35
836129022	83612-9022	15	.933/23.75	.715/18.16	.350/8.88	.715/18.16	.560/14.22	.715/18.16
836149014	83614-9014	25	1.18530.10	.965/24.51	.600/15.23	.965/24.51	.810/20.57	.965/24.51



RECOMMENDED
PANEL CUT-OUT



SIZE 9 SHOWN



RECOMMENDED
P.C.B. LAYOUT

SALES DRAWING

3. PART IS RoHS COMPLIANT
 2. MARKING: NONE.
 1. REFER TO PS-83421-9000 FOR PRODUCT SPECIFICATION.
 NOTES: UNLESS OTHERWISE SPECIFIED.

ADD DIM. EC NO: IPG2014-1165 DR: W. BARDEN CHKD: APPR:	DESCRIPTION 2013/12/30	QUALITY SYMBOLS ▽=0 ▽=0	GENERAL TOLERANCES (UNLESS SPECIFIED)		DIMENSION STYLE IN/MM		SCALE	DESIGN UNITS INCH	THIRD ANGLE PROJECTION	
		4 PLACES ± --- ± --- 3 PLACES ± --- ± .010 2 PLACES ± 0.25 ± .01 1 PLACE ± 0.25 ± ---	mm INCH	DRAWN BY JLOMASTR	DATE 06/04/17	TITLE CONNECTOR SUB-ASSEMBLY RIGHT ANGLE PLUG WITHOUT JACKPOSTS SIZE 9-15-25				
		ANGULAR ± 1/2°		CHECKED BY RDEROSS	DATE 06/04/17	MOLEX INCORPORATED				
		DRAFT WHERE APPLICABLE MUST REMAIN WITHIN DIMENSIONS		APPROVED BY RDEROSS	DATE 06/04/17	MATERIAL NO. SEE CHART	DOCUMENT NO. SD-83611-002	SHEET NO. 1 OF 1		