



Chipsmall Limited consists of a professional team with an average of over 10 year of expertise in the distribution of electronic components. Based in Hongkong, we have already established firm and mutual-benefit business relationships with customers from,Europe,America and south Asia,supplying obsolete and hard-to-find components to meet their specific needs.

With the principle of “Quality Parts,Customers Priority,Honest Operation,and Considerate Service”,our business mainly focus on the distribution of electronic components. Line cards we deal with include Microchip,ALPS,ROHM,Xilinx,Pulse,ON,Everlight and Freescale. Main products comprise IC,Modules,Potentiometer,IC Socket,Relay,Connector.Our parts cover such applications as commercial,industrial, and automotives areas.

We are looking forward to setting up business relationship with you and hope to provide you with the best service and solution. Let us make a better world for our industry!



## Contact us

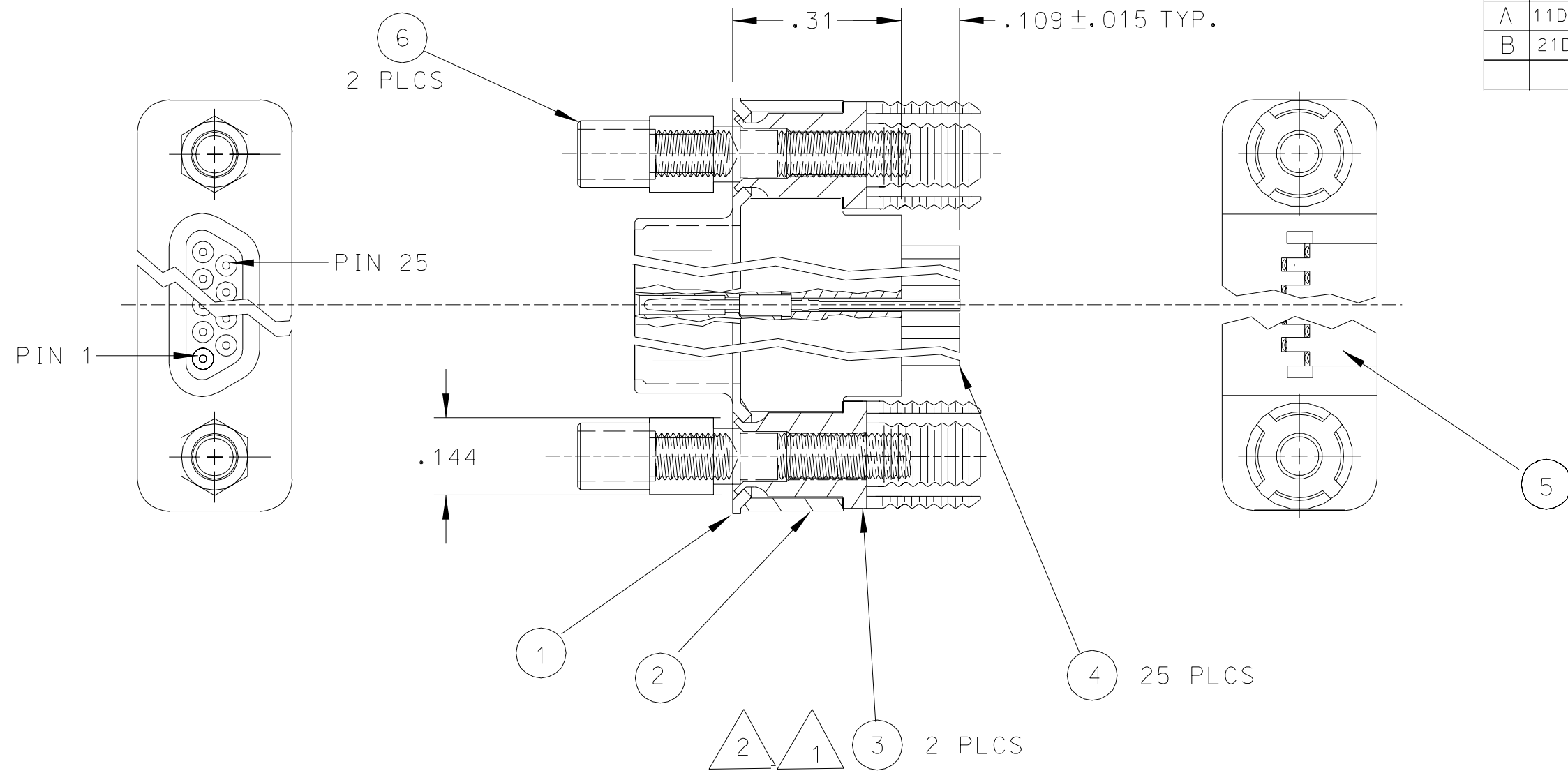
Tel: +86-755-8981 8866 Fax: +86-755-8427 6832

Email & Skype: info@chipsmall.com Web: www.chipsmall.com


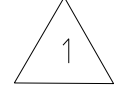
Address: A1208, Overseas Decoration Building, #122 Zhenhua RD., Futian, Shenzhen, China




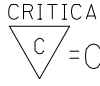
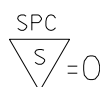
REV	DATE	ECN NO.	APPVD BY	REL BY
A	11DEC00	UM2001-0178		
B	21DEC00	UM2001-0188		



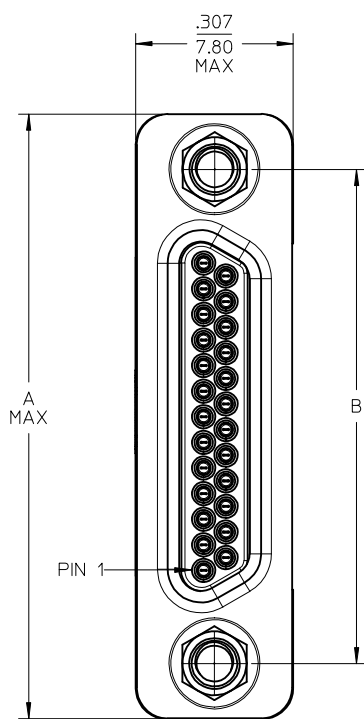
QTY	MATERIAL NO.	DESCRIPTION	ITEM
2	830410005	JACKPOST, 2-56 THREAD	6
1	830100094	CONTACT RETAINER	5
25	830009006	CONTACT, PIN, PCB	4
2	830410078	JACKPOST RETAINER w/BOARD LOCK	3
1	830100092	INSULATOR, STRAIGHT, SIZE 25	2
1	830150022	PLUG SHELL, SIZE 25 STAMPED	1

 AFTER SWAGING, ITEM 3 TO WITHSTAND 40 IN-OZ OF TORQUE WITH NO INDICATION OF MOVEMENT  
 SWAGE ITEM 3 INTO ITEM 1 TO WITHSTAND 5 LB AXIAL PULL OFF FORCE ON ITEM 3.

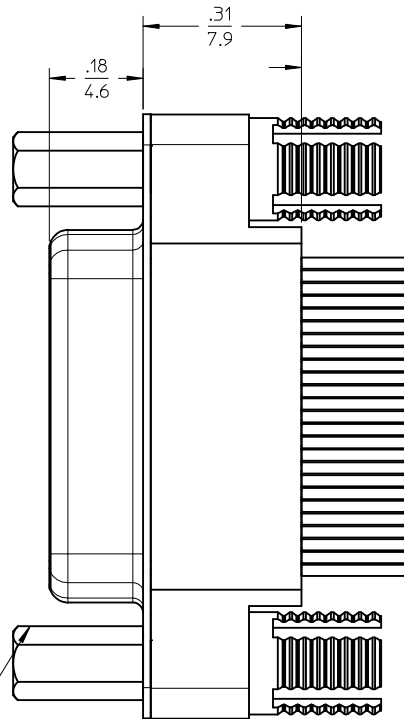
NOTES: UNLESS OTHERWISE SPECIFIED.

QUALITY SYMBOLS MAJOR  = 0 CRITICAL  = 0 SPC  = 0	UNLESS SPECIFIED: ALL DIMENSIONS IN INCHES GENERAL TOLERANCES: 3 PLACES ± .005 2 PLACES ± .010 ANGULAR ± 2° Uti-Mate CAGE CODE 58967	SCALE NONE DWG SIZE B DRAWN BY & DATE AW 12/11/00 CHECKED BY & DATE AW 12/11/00 APPROVED BY & DATE	THIRD ANGLE PROJECTION REVISE ON CAD ONLY TITLE: CONNECTOR, COMMERCIAL-D, PLUG, VERTICAL, JACKPOST, SIZE 25 MOLEX INCORPORATED Orange, CA 92868 PART NO. 836149016 DRAWING NO. E-83614-9016 SHEET NO. 1 OF 1
THIS DRAWING CONTAINS INFORMATION THAT IS PROPRIETARY TO MOLEX INCORPORATED AND SHOULD NOT BE USED WITHOUT WRITTEN PERMISSION.			REV B

10	9	8	7	6	5	4	3	2	1
PART NUMBER	SIZE	A MAX.	B NOM.	C REF.	D NOM.				
836149016	25	1.185	.965	.600	.965				



2-56 JACKPOST  
2 PLACES

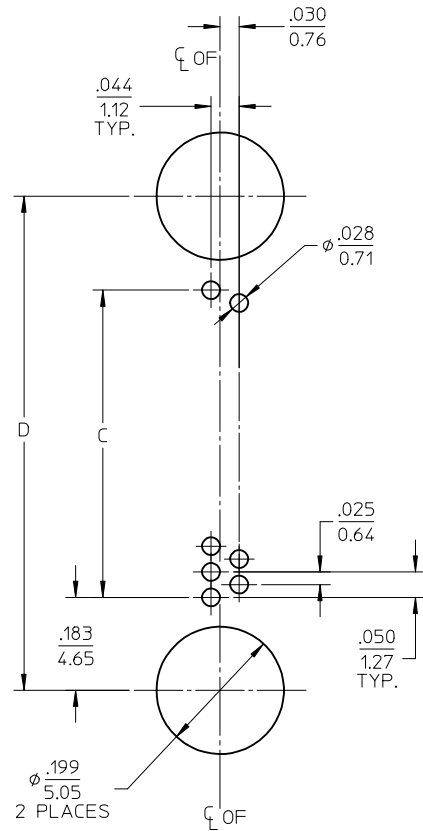


.207 ±.015 TYP  
5.25 ±.038

.025  
0.64

.050 TYP  
1.27

.043 TYP  
1.10



RECOMMENDED  
P.C.B. LAY-OUT  
.060/1.52 PANEL THICKNESS

2. ROHS COMPLIANT  
1. REFER TO PS-83421-9000 FOR PRODUCT SPECIFICATION.  
NOTES: UNLESS OTHERWISE SPECIFIED.

<b>REDRAWN</b> EC NO: WNA2009-0562 DRWN: RUPERT 2009/03/25 CHKD: APPR: JEMURPHY 2009/07/08 REV A	QUALITY SYMBOLS	GENERAL TOLERANCES (UNLESS SPECIFIED)	DIMENSION STYLE IN/MM	SCALE 4:1	DESIGN UNITS INCH	THIRD ANGLE PROJECTION																															
	$\nabla=0$ $\nabla C=0$	<table border="1"> <thead> <tr> <th></th> <th>mm</th> <th>INCH</th> </tr> </thead> <tbody> <tr> <td>4 PLACES</td> <td>± ---</td> <td>± ---</td> </tr> <tr> <td>3 PLACES</td> <td>± ---</td> <td>± .005</td> </tr> <tr> <td>2 PLACES</td> <td>± 0.13</td> <td>± .010</td> </tr> <tr> <td>1 PLACE</td> <td>± 0.25</td> <td>± ---</td> </tr> </tbody> </table>		mm	INCH	4 PLACES	± ---	± ---	3 PLACES	± ---	± .005	2 PLACES	± 0.13	± .010	1 PLACE	± 0.25	± ---	<table border="1"> <thead> <tr> <th>DRAWN BY</th> <th>DATE</th> <th>TITLE</th> </tr> </thead> <tbody> <tr> <td>D. URBACH</td> <td>230CT00</td> <td rowspan="2">CONN, COMM-D, PLUG, VERT JACKPOST, SIZE 25</td> </tr> <tr> <td>CHECKED BY</td> <td>DATE</td> </tr> <tr> <td>D. URBACH</td> <td>230CT00</td> <td></td> </tr> <tr> <td>APPROVED BY</td> <td>DATE</td> <td></td> </tr> <tr> <td>D. URBACH</td> <td>230CT00</td> <td></td> </tr> </tbody> </table>	DRAWN BY	DATE	TITLE	D. URBACH	230CT00	CONN, COMM-D, PLUG, VERT JACKPOST, SIZE 25	CHECKED BY	DATE	D. URBACH	230CT00		APPROVED BY	DATE		D. URBACH	230CT00			<b>MOLEX INCORPORATED</b>
		mm	INCH																																		
	4 PLACES	± ---	± ---																																		
3 PLACES	± ---	± .005																																			
2 PLACES	± 0.13	± .010																																			
1 PLACE	± 0.25	± ---																																			
DRAWN BY	DATE	TITLE																																			
D. URBACH	230CT00	CONN, COMM-D, PLUG, VERT JACKPOST, SIZE 25																																			
CHECKED BY	DATE																																				
D. URBACH	230CT00																																				
APPROVED BY	DATE																																				
D. URBACH	230CT00																																				
DRAFT WHERE APPLICABLE MUST REMAIN WITHIN DIMENSIONS	ANGULAR ± 2 °	SEE CHART	MATERIAL NO.	DOCUMENT NO.	SHEET NO.																																
			SD-83614-9016	1 OF 1																																	
			THIS DRAWING CONTAINS INFORMATION THAT IS PROPRIETARY TO MOLEX INCORPORATED AND SHOULD NOT BE USED WITHOUT WRITTEN PERMISSION																																		