



Chipsmall Limited consists of a professional team with an average of over 10 year of expertise in the distribution of electronic components. Based in Hongkong, we have already established firm and mutual-benefit business relationships with customers from,Europe,America and south Asia,supplying obsolete and hard-to-find components to meet their specific needs.

With the principle of “Quality Parts,Customers Priority,Honest Operation,and Considerate Service”,our business mainly focus on the distribution of electronic components. Line cards we deal with include Microchip,ALPS,ROHM,Xilinx,Pulse,ON,Everlight and Freescale. Main products comprise IC,Modules,Potentiometer,IC Socket,Relay,Connector.Our parts cover such applications as commercial,industrial, and automotives areas.

We are looking forward to setting up business relationship with you and hope to provide you with the best service and solution. Let us make a better world for our industry!



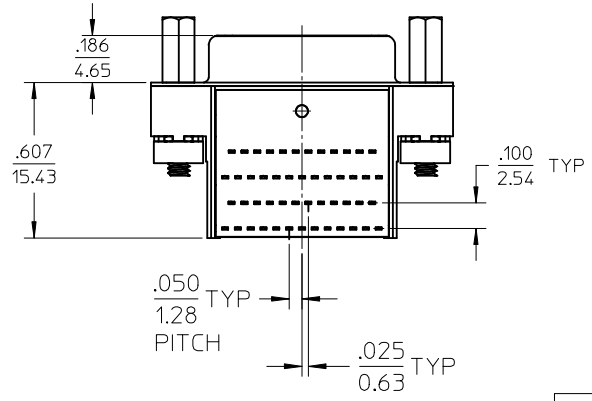
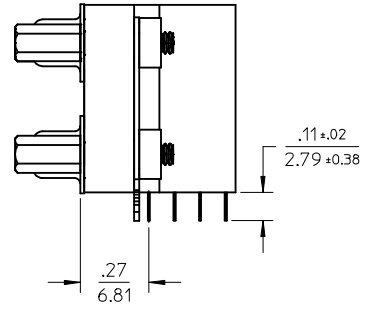
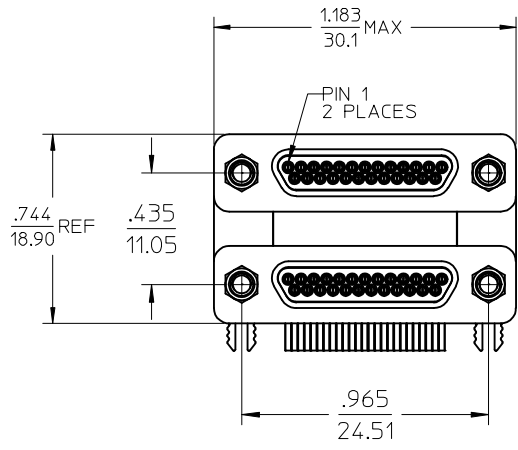
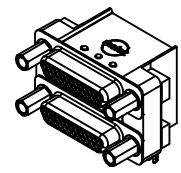
Contact us

Tel: +86-755-8981 8866 Fax: +86-755-8427 6832

Email & Skype: info@chipsmall.com Web: www.chipsmall.com

Address: A1208, Overseas Decoration Building, #122 Zhenhua RD., Futian, Shenzhen, China

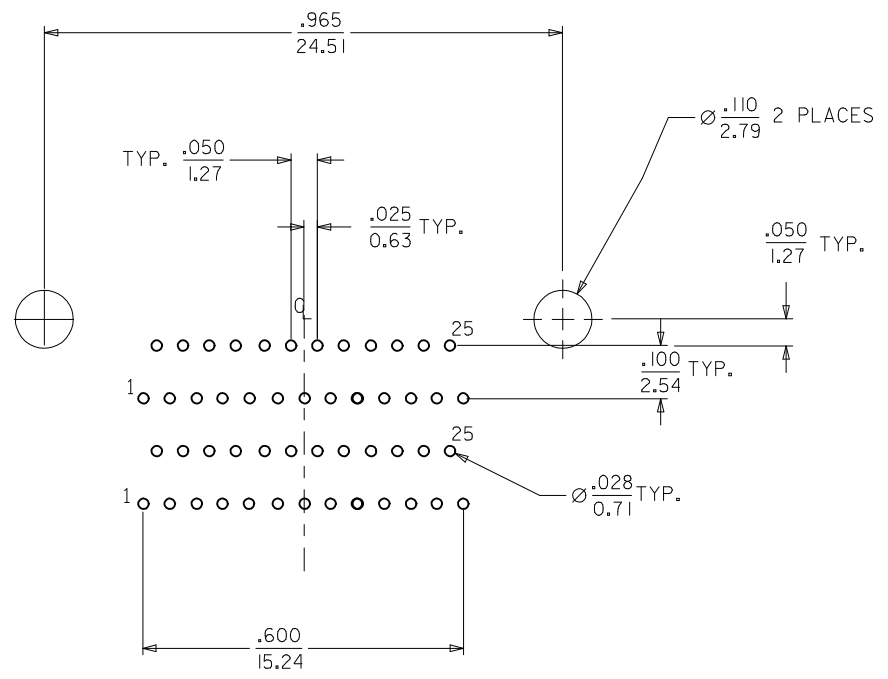




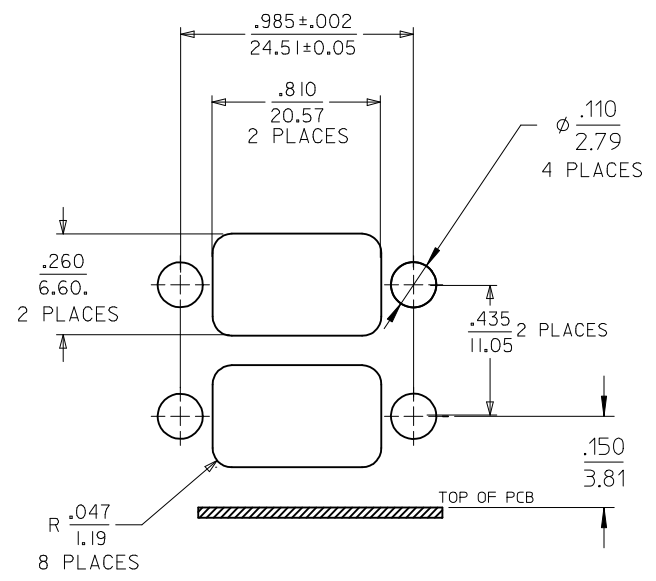
SALES DRAWING

1. MARKING: NONE.
 2. SEE SHEET 2 FOR PCB LAYOUT AND PANEL CUT-OUT DIMENSIONS.
 NOTES: UNLESS OTHERWISE SPECIFIED.

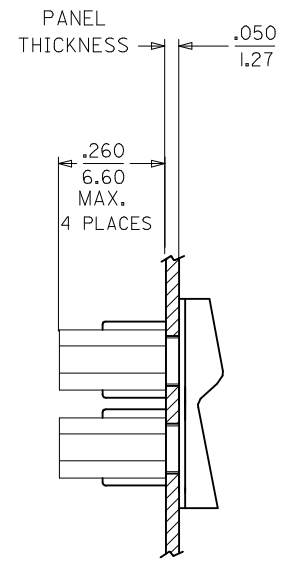
ADD ISO VIEW EC NO: IPG2017-0765 DRWN:RUPERT 2017/03/17 CHKD: APPR:MLEUNG 2017/04/28	QUALITY SYMBOLS	GENERAL TOLERANCES (UNLESS SPECIFIED)	DIMENSION STYLE IN/MM	SCALE 2:1	DESIGN UNITS INCH	THIRD ANGLE PROJECTION																							
	▽=0 ◻=0	<table border="1"> <thead> <tr> <th></th> <th>mm</th> <th>INCH</th> </tr> </thead> <tbody> <tr> <td>4 PLACES</td> <td>± ---</td> <td>± ---</td> </tr> <tr> <td>3 PLACES</td> <td>± ---</td> <td>± .005</td> </tr> <tr> <td>2 PLACES</td> <td>± 0.13</td> <td>± .01</td> </tr> <tr> <td>1 PLACE</td> <td>± 0.25</td> <td>± ---</td> </tr> </tbody> </table> ANGULAR ±1/2°		mm	INCH	4 PLACES	± ---	± ---	3 PLACES	± ---	± .005	2 PLACES	± 0.13	± .01	1 PLACE	± 0.25	± ---	<table border="1"> <tr> <td>DRAWN BY JLOMASTR</td> <td>DATE 04/09/22</td> <td rowspan="2">TITLE DUAL CONNECTOR PLUG COMM. MICRO D PLUG R/A SIZE 25</td> </tr> <tr> <td>CHECKED BY RDEROSS</td> <td>DATE 04/09/28</td> </tr> <tr> <td>APPROVED BY JFMURPHY</td> <td>DATE 2009/08/26</td> <td rowspan="2"> MOLEX INCORPORATED </td> </tr> <tr> <td>MATERIAL NO. 836199011</td> <td>DOCUMENT NO. SD-83619-007</td> <td>SHEET NO. 1 OF 2</td> </tr> </table>	DRAWN BY JLOMASTR	DATE 04/09/22	TITLE DUAL CONNECTOR PLUG COMM. MICRO D PLUG R/A SIZE 25	CHECKED BY RDEROSS	DATE 04/09/28	APPROVED BY JFMURPHY	DATE 2009/08/26	MOLEX INCORPORATED	MATERIAL NO. 836199011	DOCUMENT NO. SD-83619-007	SHEET NO. 1 OF 2
		mm	INCH																										
	4 PLACES	± ---	± ---																										
3 PLACES	± ---	± .005																											
2 PLACES	± 0.13	± .01																											
1 PLACE	± 0.25	± ---																											
DRAWN BY JLOMASTR	DATE 04/09/22	TITLE DUAL CONNECTOR PLUG COMM. MICRO D PLUG R/A SIZE 25																											
CHECKED BY RDEROSS	DATE 04/09/28																												
APPROVED BY JFMURPHY	DATE 2009/08/26	MOLEX INCORPORATED																											
MATERIAL NO. 836199011	DOCUMENT NO. SD-83619-007		SHEET NO. 1 OF 2																										
DRAFT WHERE APPLICABLE MUST REMAIN WITHIN DIMENSIONS	SIZE A3	THIS DRAWING CONTAINS INFORMATION THAT IS PROPRIETARY TO MOLEX INCORPORATED AND SHOULD NOT BE USED WITHOUT WRITTEN PERMISSION																											



**RECOMMENDED
P.C.B. LAY-OUT
SOLDER SIDE**



**RECOMMENDED
PANEL CUT-OUT**



SEE SHEET 1 EC NO: IPG2017-0765 DRWN: BRUPERT 2017/03/17 CHKD: APPR: WLEUNG 2017/04/28	QUALITY SYMBOLS	GENERAL TOLERANCES (UNLESS SPECIFIED)	DIMENSION STYLE IN/MM	SCALE 2:1	DESIGN UNITS INCH	THIRD ANGLE PROJECTION
	▽=0 □=0	4 PLACES ± --- ± --- 3 PLACES ± --- ± .005 2 PLACES ± 0.13 ± .01 1 PLACE ± 0.25 ± --- ANGULAR ± 1/2°	DRAWN BY: JLOMASTR DATE: 04/09/22 CHECKED BY: RDEROSS DATE: 04/09/28 APPROVED BY: JFMURPHY DATE: 2009/08/26 MATERIAL NO.: 836199011	TITLE	DUAL CONNECTOR PLUG COMM. MICRO D PLUG R/A SIZE 25	
	DRAFT WHERE APPLICABLE MUST REMAIN WITHIN DIMENSIONS	SIZE A3	MOLEX INCORPORATED DOCUMENT NO.: SD-83619-007 SHEET NO.: 2 OF 2			
	THIS DRAWING CONTAINS INFORMATION THAT IS PROPRIETARY TO MOLEX INCORPORATED AND SHOULD NOT BE USED WITHOUT WRITTEN PERMISSION					