



Chipsmall Limited consists of a professional team with an average of over 10 year of expertise in the distribution of electronic components. Based in Hongkong, we have already established firm and mutual-benefit business relationships with customers from,Europe,America and south Asia,supplying obsolete and hard-to-find components to meet their specific needs.

With the principle of “Quality Parts,Customers Priority,Honest Operation,and Considerate Service”,our business mainly focus on the distribution of electronic components. Line cards we deal with include Microchip,ALPS,ROHM,Xilinx,Pulse,ON,Everlight and Freescale. Main products comprise IC,Modules,Potentiometer,IC Socket,Relay,Connector.Our parts cover such applications as commercial,industrial, and automotives areas.

We are looking forward to setting up business relationship with you and hope to provide you with the best service and solution. Let us make a better world for our industry!



Contact us

Tel: +86-755-8981 8866 Fax: +86-755-8427 6832

Email & Skype: info@chipsmall.com Web: www.chipsmall.com

Address: A1208, Overseas Decoration Building, #122 Zhenhua RD., Futian, Shenzhen, China



THE INFORMATION CONTAINED HEREIN IS CONSIDERED "PROPRIETARY" TO BEL FUSE INC. AND SHALL NOT BE COPIED, REPRODUCED OR DISCLOSED WITHOUT THE WRITTEN APPROVAL OF BEL FUSE INC.

LED1 POLARITY			LED2 POLARITY		
PIN 17	PIN 18	COLOR	PIN 19	PIN 20	COLOR
-	+	YELLOW	-	+	GREEN
			+	-	ORANGE

RoHS



ELECTRICAL CHARACTERISTICS @ 25°C

URNS RATIO

TP1 1CT : 1CT ±2%
 TP2 1CT : 1CT ±2%

OCL @ 100kHz, 20mVRMS AND 24mA DC BIAS FROM 0°C TO 70°C = 350uH MIN;
 PAIRS (1-2) AND (3-6).

INS. LOSS

0.1MHz TO 1MHz -0.8 dB MAX
 1MHz TO 65MHz -0.6 dB MAX
 65MHz TO 100MHz -0.8 dB MAX
 100MHz TO 125MHz -1.7 dB MAX

RET. LOSS (MIN)

0.5MHz-40MHz -18 dB
 40MHz-100MHz -12+20LOG(f/80MHz) dB

CROSS TALK

100kHz - 1MHz -60 dB MIN.
 1MHz - 100MHz -30 dB MIN.

CM TO CM REJ

100kHz - 100MHz -30 dB MIN

CM TO DM REJ

100kHz - 100MHz -25 dB MIN

DCR PINS CABLE SIDE (1-2) AND (3-6): 1.0 OHMS MAX.

HIPOT (Isolation Voltage): 2250 VDC

100% OF PRODUCTION TESTED TO COMPLY WITH
 IEEE 802.3 ISOLATION REQUIREMENTS.

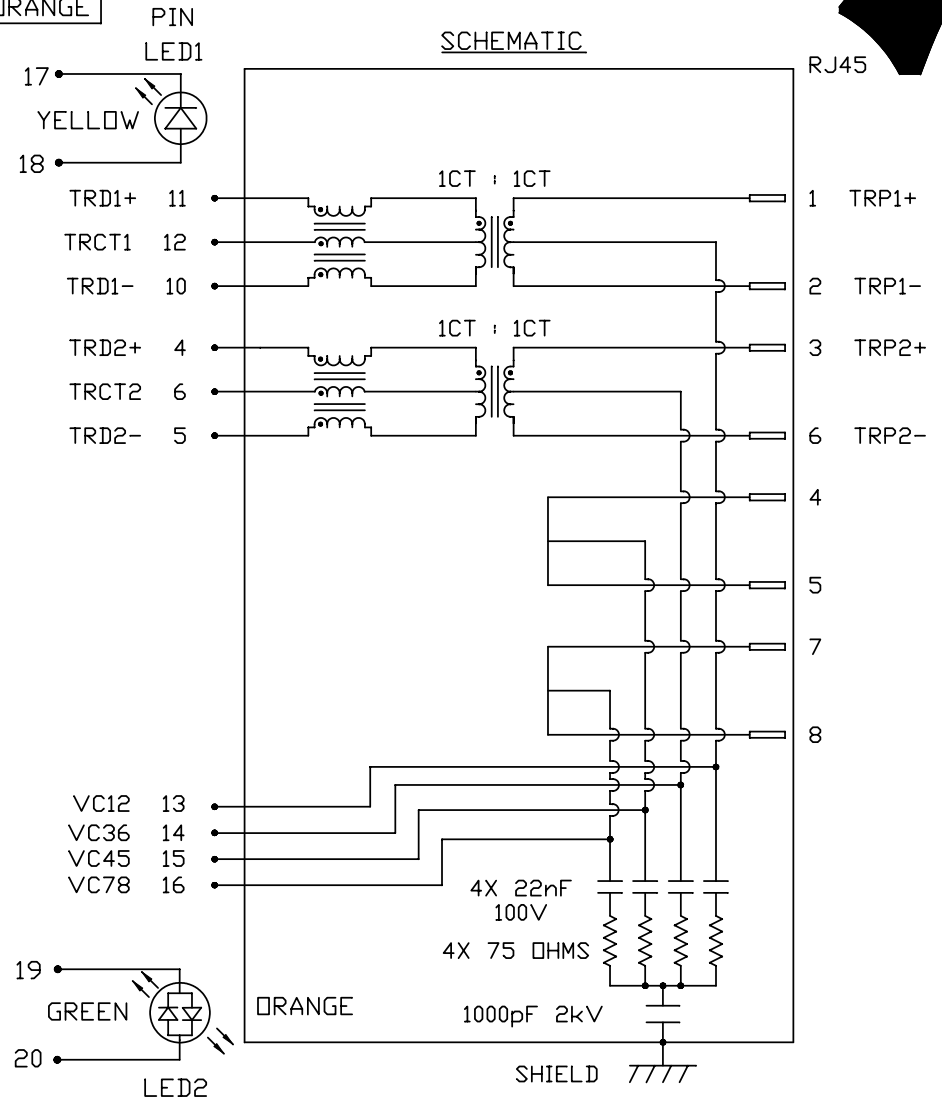
BALANCED DC LINE CURRENT 700 mA MAX. @ 57 VDC CONTINUOUS
 1.2A MAX. @ 57 VDC FOR 200 MILLISECONDS

LED 1

V_F (FORWARD VOLTAGE) IF=20mA YELLOW 2.1V TYP.
 λ_D (DOMINANT WAVELENGTH) IF=20mA YELLOW 590nm TYP.

LED 2

V_F (FORWARD VOLTAGE) IF=20mA GREEN 2.2V TYP.
 ORANGE 2.0V TYP.
 λ_D (DOMINANT WAVELENGTH) IF=20mA GREEN 565nm TYP.
 ORANGE 610nm TYP.



ORIGINATED BY	DATE	TITLE	PART NO. / DRAWING NO.	STANDARD DIM. TOL. IN INCH	[] METRIC DIM. AS REFERENCE
CHOW WANCHUNG	2012-08-14	10/100 MagJack®	0838-1X1T-W6	.X	UNIT : INCH [mm] REV. : B
DRAWN BY	DATE	with PoEp PATENTED	FILE NAME	.XX	SCALE : N/A SIZE : A4
TAN QIGUANG	2012-08-14		0838-1X1T-W6_B.DWG	.XXX	PAGE : 2

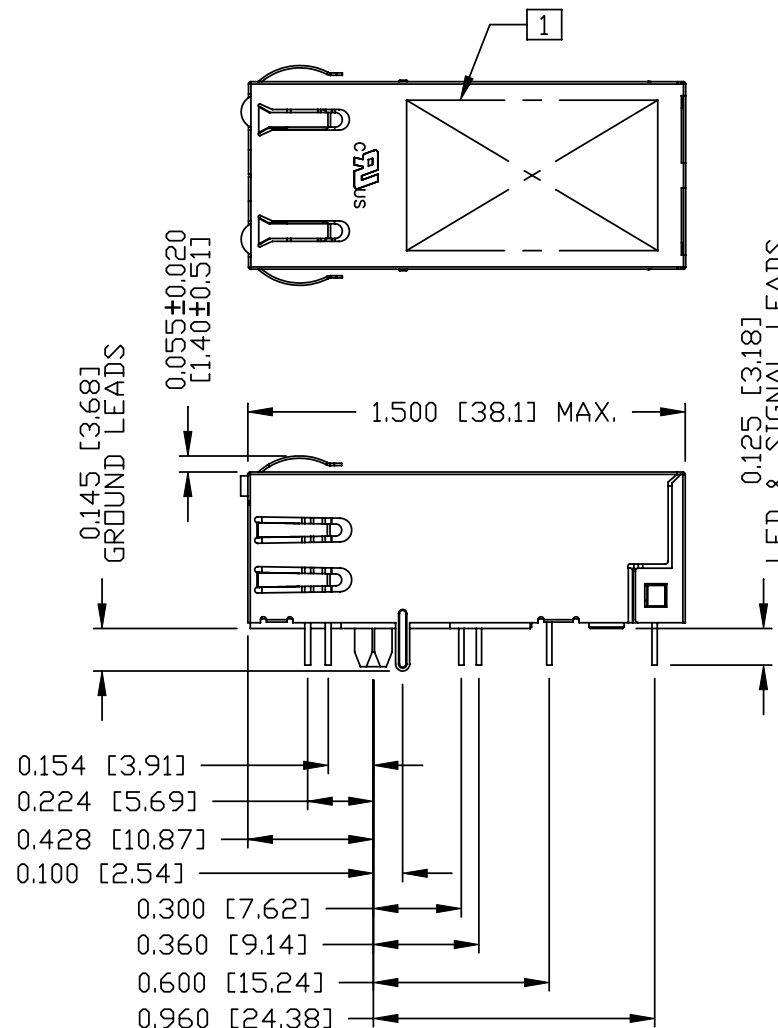
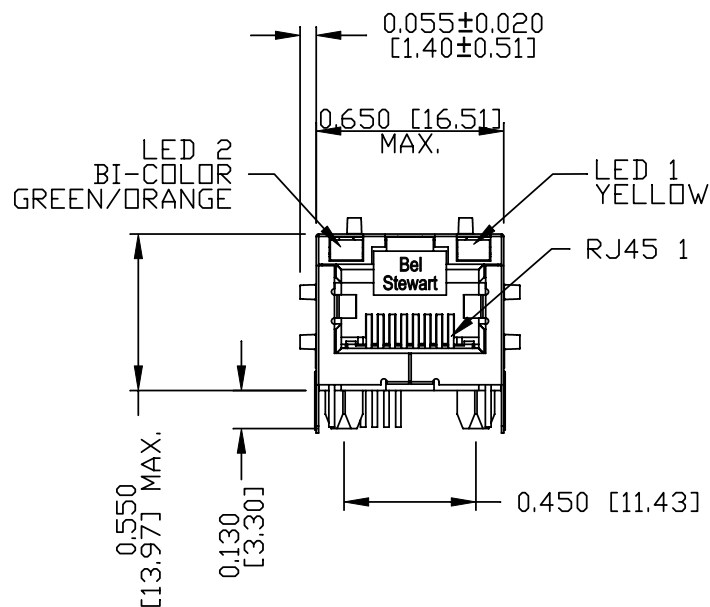


THE INFORMATION CONTAINED HEREIN IS CONSIDERED "PROPRIETARY" TO BEL FUSE INC. AND SHALL NOT BE COPIED, REPRODUCED OR DISCLOSED WITHOUT THE WRITTEN APPROVAL OF BEL FUSE INC.

RoHS



MECHANICAL SPECIFICATION



NOTES:

- PLASTIC HOUSING: THERMOPLASTIC PBT.
FLAMMABILITY RATING UL 94V-0.
- CONTACTS: 50 MICRO-INCH HARD GOLD PLATING OR EQUIVALENT.
- OUTPUT PINS: TIN-COATED COPPER WIRE, DIA 0.018 INCH.
- METAL SHIELD: NICKEL PLATED ON COPPER ALLOY.
(ALL GROUND LEADS ARE SOLDER DIPPED)

[1] MARK PART WITH MFG LOGO, MFG NAME, PART NUMBER, DATE CODE AND PATENTED.

UL RECOGNIZED - FILE #E196366 AND E169987.

- 2. THE PRODUCT IS RoHS COMPLIANT.
- 3. JACK CAVITY CONFORMS TO FCC RULES AND REGULATIONS.
- 4. THE PRODUCT IS PATENTED. THE PATENT NUMBER ARE U.S. PAT. 5,736,910 AND U.S. PAT. 6,840,817 AND U.S. PAT. 7,123,117.

ORIGINATED BY	DATE	TITLE	PART NO. / DRAWING NO.	STANDARD DIM.		[] METRIC DIM. AS REFERENCE	
				TOL. IN INCH		UNIT : INCH [mm]	REV. : B
ANTON LIAO	2012-08-14	10/100 MagJack®	0838-1X1T-W6	.X		SCALE : N/A	SIZE : A4
DRAWN BY	DATE	with PoEp	FILE NAME	.XX			PAGE : 3
HE ZHEN	2012-08-14	PATENTED	0838-1X1T-W6_B.DWG	.XXX	#0.010		



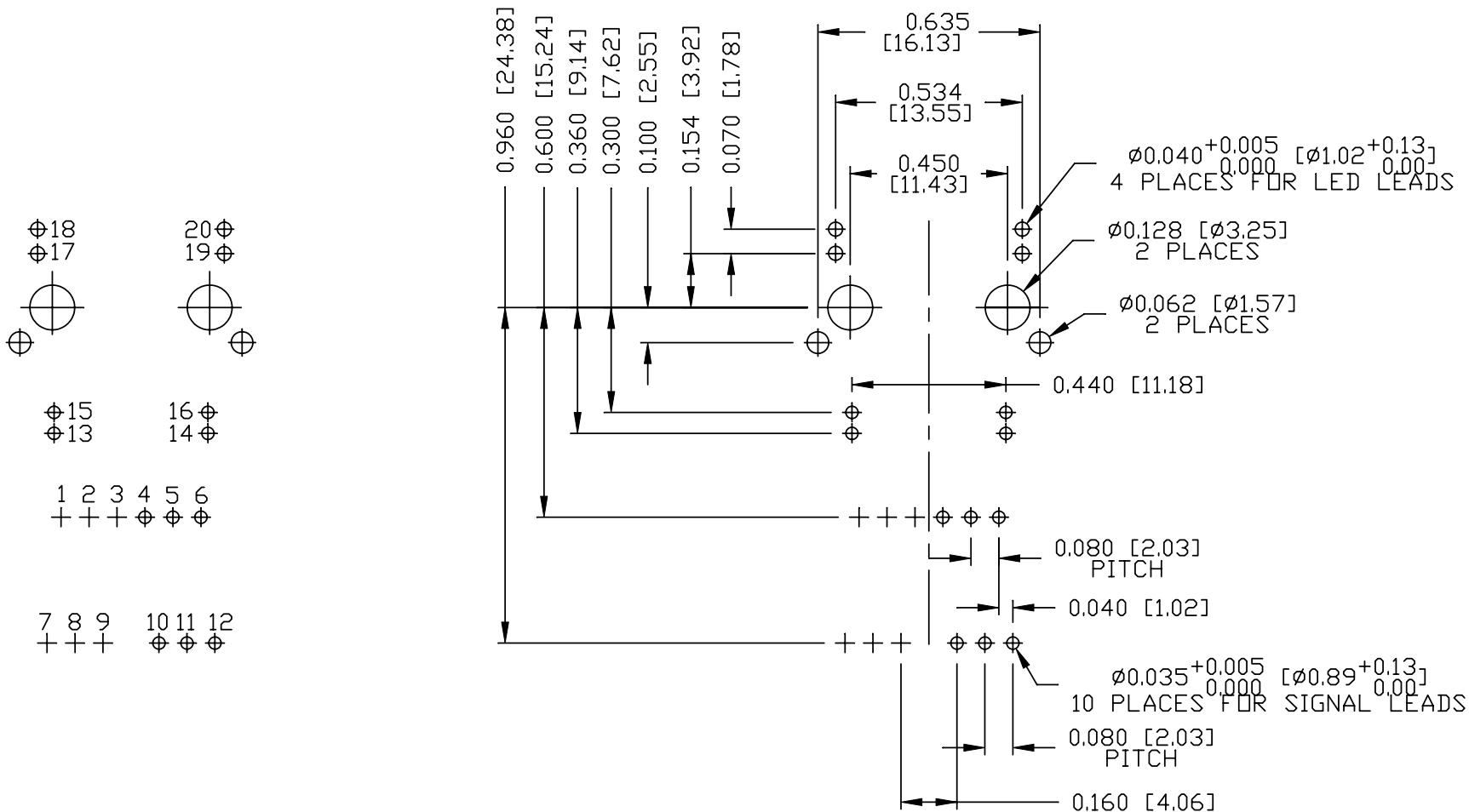
THE INFORMATION CONTAINED HEREIN IS CONSIDERED 'PROPRIETARY' TO BEL FUSE INC. AND SHALL NOT BE COPIED, REPRODUCED OR DISCLOSED WITHOUT THE WRITTEN APPROVAL OF BEL FUSE INC.

RECOMMENDED PCB FOOTPRINT

RoHS



COMPONENT SIDE VIEW



ORIGINATED BY ANTON LIAO
DATE 2012-08-14

TITLE 10/100 MagJack®
with PoEp
PATENTED

PART NO. / DRAWING NO. 0838-1X1T-W6

FILE NAME 0838-1X1T-W6_B.DWG

STANDARD DIM. TOL. IN INCH

.X	
.XX	
.XXX	±0.004

[] METRIC DIM. AS REFERENCE

UNIT : INCH [mm]	REV. : B
SCALE : N/A	SIZE : A4
	PAGE : 4

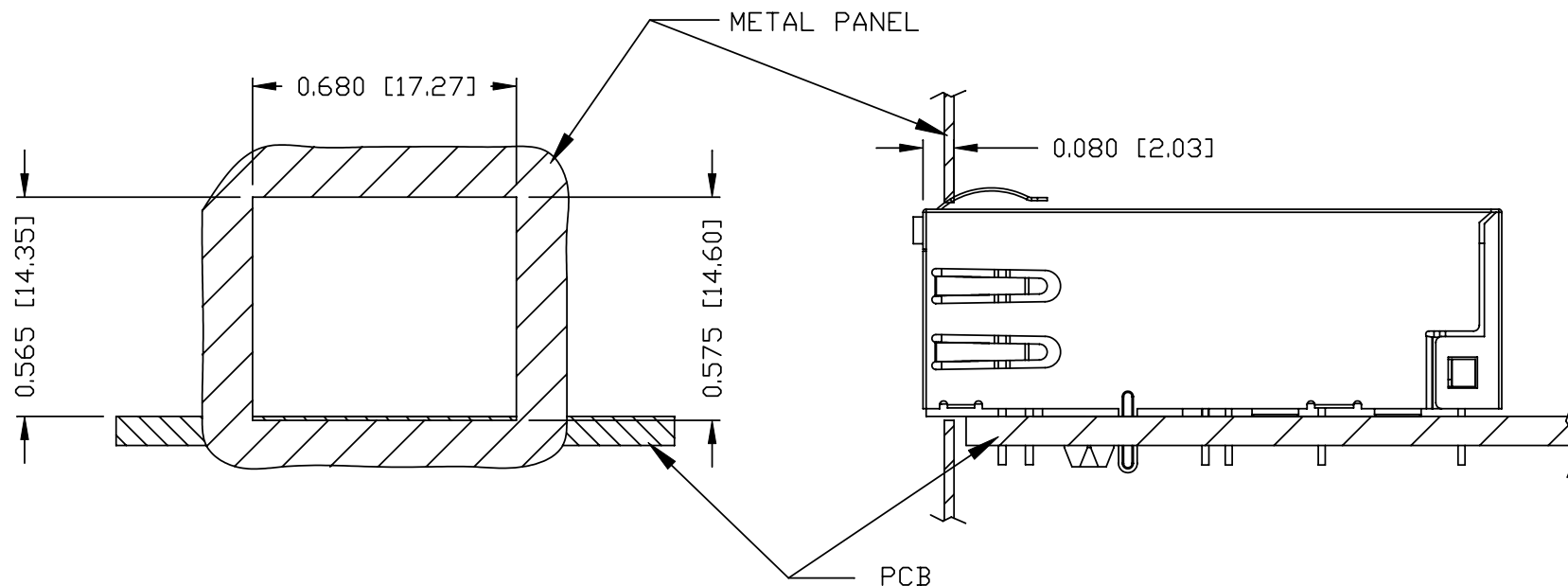


THE INFORMATION CONTAINED HEREIN IS CONSIDERED "PROPRIETARY" TO BEL FUSE INC. AND SHALL NOT BE COPIED, REPRODUCED OR DISCLOSED WITHOUT THE WRITTEN APPROVAL OF BEL FUSE INC.

RoHS



SUGGESTED PANEL OPENING



NOTE:

THE DISTANCE OF PANEL INSIDE SURFACE RELATIVE TO FRONT SURFACE OF PART IS ONLY A SUGGESTION. IN CASE THIS DISTANCE IS DIFFERENT, THE REQUIRED PANEL OPENING DIMENSIONS CHANGE ACCORDINGLY.

PACKING INFORMATION

PACKING TRAY : 0200-9999-R3 (TOP)

0200-9999-R4 (BOTTOM)

PACKING QUANTITY : 42 PCS FINISHED GOODS PER TRAY

10 TRAYS (420 PCS FINISHED GOODS) PER CARTON BOX

NOTE : CARDBOARDS ARE PLACED BETWEEN LAYERS OF PACKING TRAY INSIDE CARTON BOX
(INCLUDE THE UPPERMOST AND LOWERMOST TRAY)

ORIGINATED BY ANTON LIAO	DATE 2012-08-14	TITLE 10/100 MagJack® with PoEp PATENTED	PART NO. / DRAWING NO. 0838-1X1T-W6		STANDARD DIM. TOL. IN INCH		[] METRIC DIM. AS REFERENCE	
			FILE NAME 0838-1X1T-W6_B.DWG		.X		UNIT : INCH [mm]	REV. : B
DRAWN BY HE ZHEN	DATE 2012-08-14				.XX		SCALE : N/A	SIZE : A4
					.XXX	±0.004		PAGE : 5

