



Chipsmall Limited consists of a professional team with an average of over 10 year of expertise in the distribution of electronic components. Based in Hongkong, we have already established firm and mutual-benefit business relationships with customers from,Europe,America and south Asia,supplying obsolete and hard-to-find components to meet their specific needs.

With the principle of “Quality Parts,Customers Priority,Honest Operation,and Considerate Service”,our business mainly focus on the distribution of electronic components. Line cards we deal with include Microchip,ALPS,ROHM,Xilinx,Pulse,ON,Everlight and Freescale. Main products comprise IC,Modules,Potentiometer,IC Socket,Relay,Connector.Our parts cover such applications as commercial,industrial, and automotives areas.

We are looking forward to setting up business relationship with you and hope to provide you with the best service and solution. Let us make a better world for our industry!



Contact us

Tel: +86-755-8981 8866 Fax: +86-755-8427 6832

Email & Skype: info@chipsmall.com Web: www.chipsmall.com

Address: A1208, Overseas Decoration Building, #122 Zhenhua RD., Futian, Shenzhen, China



THE INFORMATION CONTAINED HEREIN IS CONSIDERED "PROPRIETARY" TO BEL FUSE INC. AND SHALL NOT BE COPIED, REPRODUCED OR DISCLOSED WITHOUT THE WRITTEN APPROVAL OF BEL FUSE INC.

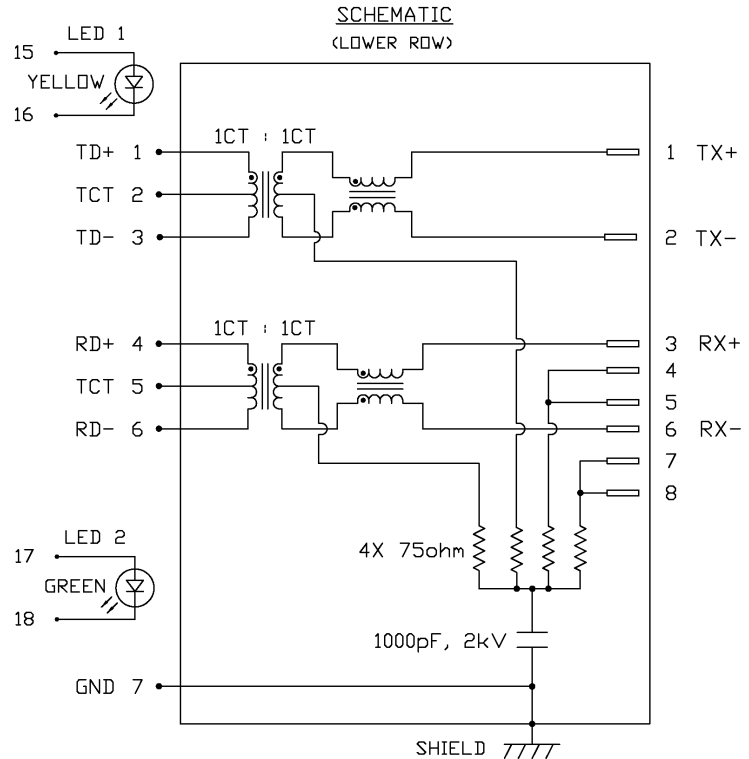


LED 1 POLARITY			LED 2 POLARITY		
PIN 15	PIN 16	COLOR	PIN 17	PIN 18	COLOR
+	-	YELLOW	+	-	GREEN

ELECTRICAL CHARACTERISTICS @ 25°C

URNS RATIO

TX	1CT : 1CT ±3%
RX	1CT : 1CT ±3%
OCL @ 100kHz/100mVRMS 8mA DC BIAS	350µH MIN.
INS. LOSS	
100KHz TO 100MHZ	-1.1 dB MAX
RET. LOSS (MIN)	
1MHZ-30MHZ	-18 dB
60MHZ-80MHZ	-12 dB
CM TO CM REJ	
1MHZ-100MHZ	-35 dB TYP
CROSS TALK (TX - RX)	
1MHZ-100MHZ	-35 dB TYP
LEAKAGE INDUCTANCE	
PRIMARY W/ SECONDARY SHORTED	0.4uH Max. @ 1MHz
INTERWINDING CAPACITANCE	
PER CHANNEL (PRI. TO SEC.)	30pF TYP @ 1MHz
DC RESISTANCE	
(RJ1-RJ2)=(RJ3-RJ6)	1.8 ohms Max
PIN4-PIN6	1.1 ohms Max
PIN1-PIN3	1.1 ohms Max
OPERATING TEMPERATURE:	-40 TO +85 C°
HIPDT (Isolation Voltage):	1500 Vrms
LED 1	
V _F (FORWARD VOLTAGE)	IF=20mA YELLOW 2.1V TYP.
λ _D (DOMINANT WAVELENGTH)	IF=20mA YELLOW 590nm TYP.
LED 2	
V _F (FORWARD VOLTAGE)	IF=20mA GREEN 2.2V TYP.
λ _D (DOMINANT WAVELENGTH)	IF=20mA GREEN 565nm TYP.



ORIGINATED BY	DATE	TITLE	PART NO. / DRAWING NO.	STANDARD DIM. TOL. IN INCH	[] METRIC DIM. AS REFERENCE
CHUNG	02-14-06	2X1 MagJack® (with LED)	0845-2D1T-S4	.X	UNIT : INCH [mm] REV. : A
DRAWN BY	DATE		FILE NAME	.XX	SCALE : N/A SIZE : A4
DE	02-14-06		08452D1TS4A.DWG	.XXX	PAGE : 2



THE INFORMATION CONTAINED HEREIN IS CONSIDERED "PROPRIETARY" TO BEL FUSE INC. AND SHALL NOT BE COPIED, REPRODUCED OR DISCLOSED WITHOUT THE WRITTEN APPROVAL OF BEL FUSE INC.

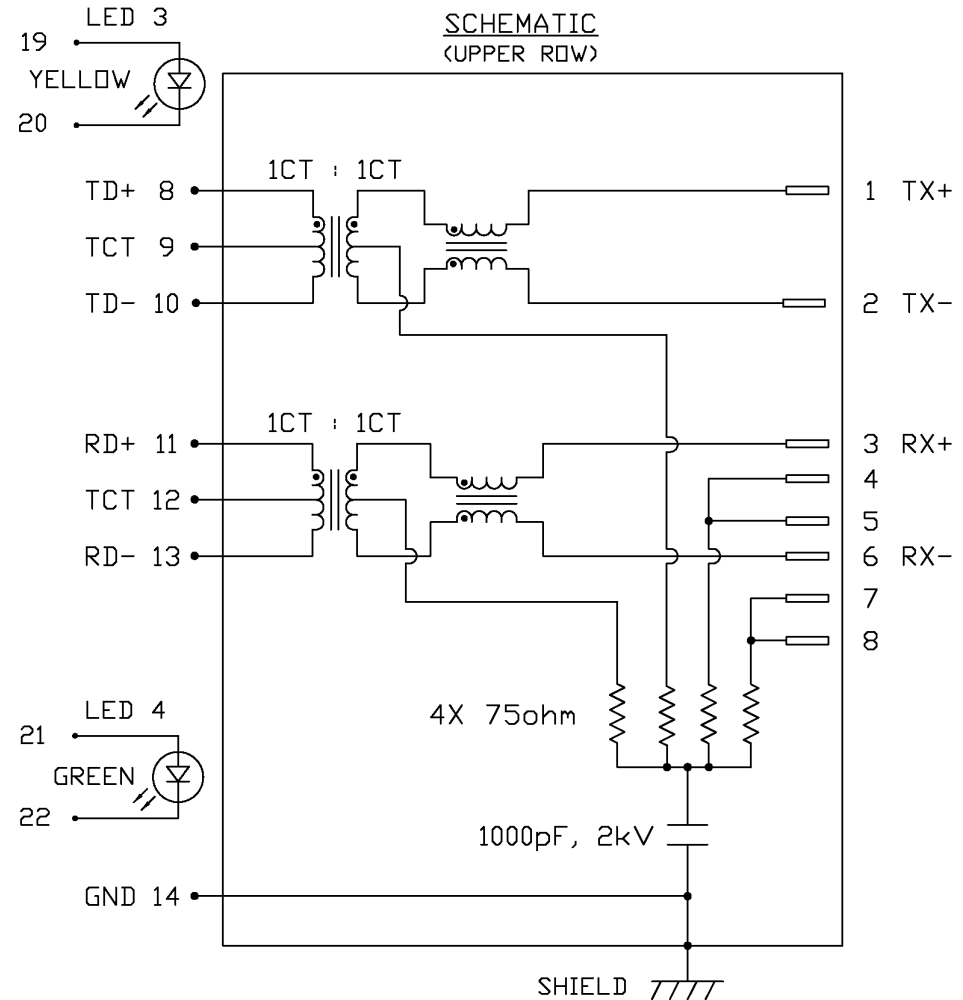


LED 3 POLARITY			LED 4 POLARITY		
PIN 19	PIN 20	COLOR	PIN 21	PIN 22	COLOR
+	-	YELLOW	+	-	GREEN

ELECTRICAL CHARACTERISTICS @ 25°C

URNS RATIO

TX	1CT : 1CT ±3%
RX	1CT : 1CT ±3%
DCL @ 100kHz/100mVRMS 8mA DC BIAS	350µH MIN.
INS. LOSS 100kHz TO 100MHz	-1.1 dB MAX
RET. LOSS (MIN) 1MHz-30MHz	-18 dB
60MHz-80MHz	-12 dB
CM TO CM REJ 1MHz-100MHz	-35 dB TYP
CROSS TALK (TX - RX) 1MHz-100MHz	-35 dB TYP
LEAKAGE INDUCTANCE PRIMARY W/ SECONDARY SHORTED	0.4µH Max. @ 1MHz
INTERWINDING CAPACITANCE PER CHANNEL (PRI. TO SEC.)	30pF TYP @ 1MHz
DC RESISTANCE (RJ1-RJ2)=(RJ3-RJ6)	1.8 ohms Max
PIN11-PIN13	1.1 ohms Max
PIN8-PIN10	1.1 ohms Max
OPERATING TEMPERATURE:	-40 TO +85 C°
HIPOT (Isolation Voltage):	1500 Vrms



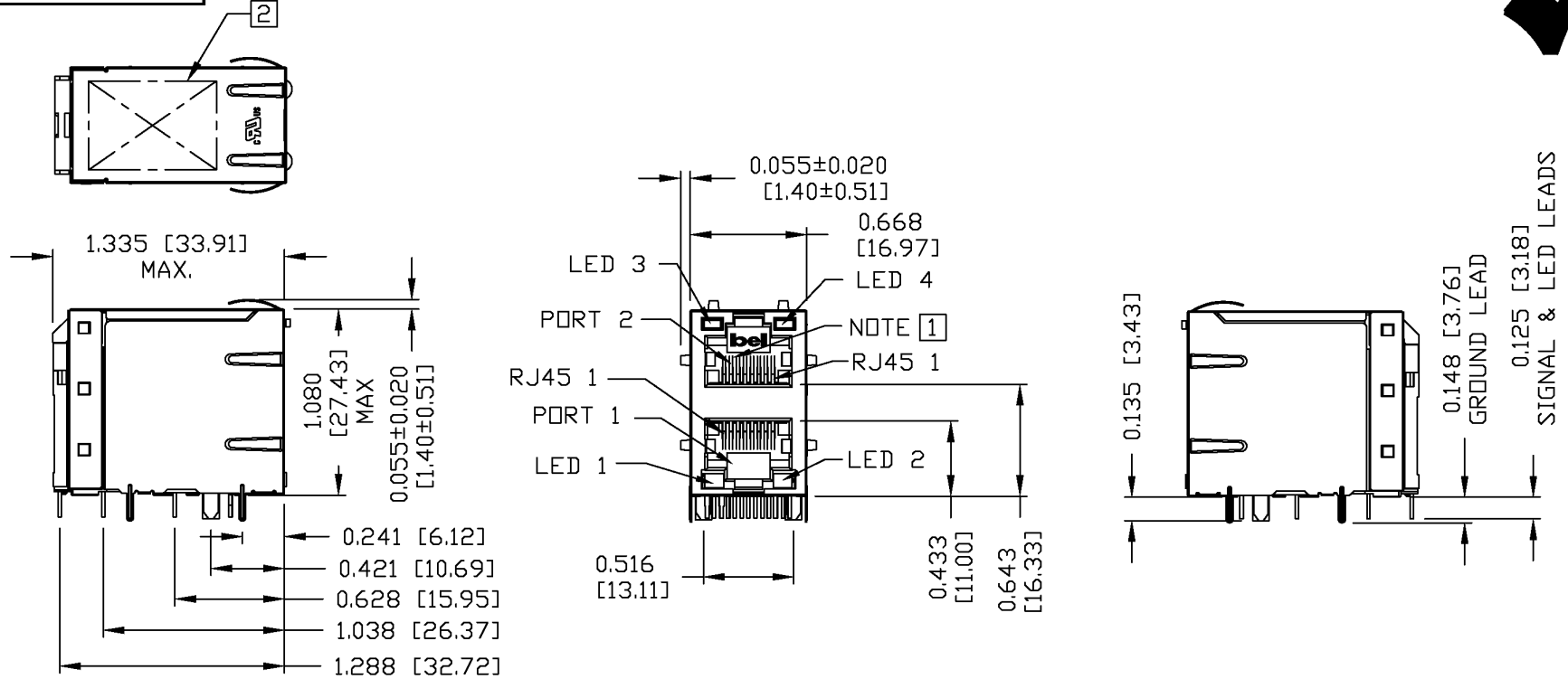
LED 3 (Super bright)	
V _F (FORWARD VOLTAGE)	IF=20mA YELLOW 2.1V TYP.
λ _D (DOMINANT WAVELENGTH)	IF=20mA YELLOW 590nm TYP.
LED 4 (Super bright)	
V _F (FORWARD VOLTAGE)	IF=20mA GREEN 2.2V TYP.
λ _D (DOMINANT WAVELENGTH)	IF=20mA GREEN 565nm TYP.

ORIGINATED BY CHUNG	DATE 02-14-06	TITLE 2X1 MagJack® (with LED)	PART NO. / DRAWING NO. 0845-2D1T-S4	STANDARD DIM. TOL. IN INCH	[] METRIC DIM. AS REFERENCE	bel COMPONENTS FOR A CONNECTED PLANET
DRAWN BY DE	DATE 02-14-06		FILE NAME 08452D1TS4A.DWG	.X .XX .XXX	UNIT : INCH [mm] SCALE : N/A	

DC002(2)032305

This document is electronically generated. This is a controlled copy if used internally

THE INFORMATION CONTAINED HEREIN IS CONSIDERED "PROPRIETARY" TO BEL FUSE INC. AND SHALL NOT BE COPIED, REPRODUCED OR DISCLOSED WITHOUT THE WRITTEN APPROVAL OF BEL FUSE INC.



NOTES:

PLASTIC HOUSING: THERMOPLASTIC PBT
 FLAMMABILITY RATING UL 94V-0
 CONTACT PLATING: 50 MICRO-INCH HARD GOLD PLATING
 OUTPUT PINS: TIN-COATED COPPER WIRE, DIA 0.018 INCH.
 METAL SHIELD: NICKEL PLATED ON COPPER ALLOY.
 (ALL GROUND LEADS ARE SOLDER DIPPED)

- [1] JACK CAVITY CONFORMS TO FCC RULES AND REGULATIONS, PART 68 SUBPART F.
- [2] MARK PART WITH MFG LOGO, MFG NAME, PART NUMBER, AND DATE CODE.

RoHS COMPLIANCE, PER EU DIRECTIVE 2002/95/EC.
 c **UL** us UL RECOGNIZED - FILE #E196366 AND E169987.

ORIGINATED BY BILL/KEUNG	DATE 02-14-06	TITLE 2X1 MagJack® (with LED)	PART NO. / DRAWING NO. 0845-2D1T-S4	STANDARD DIM. TOL. IN INCH	[] METRIC DIM. AS REFERENCE	 COMPONENTS FOR A CONNECTED PLANET
DRAWN BY QIN	DATE 02-14-06		FILE NAME 08452D1TS4A.DWG	.X .XX .XXX	UNIT : INCH [mm] SCALE : N/A	
				±0.010		

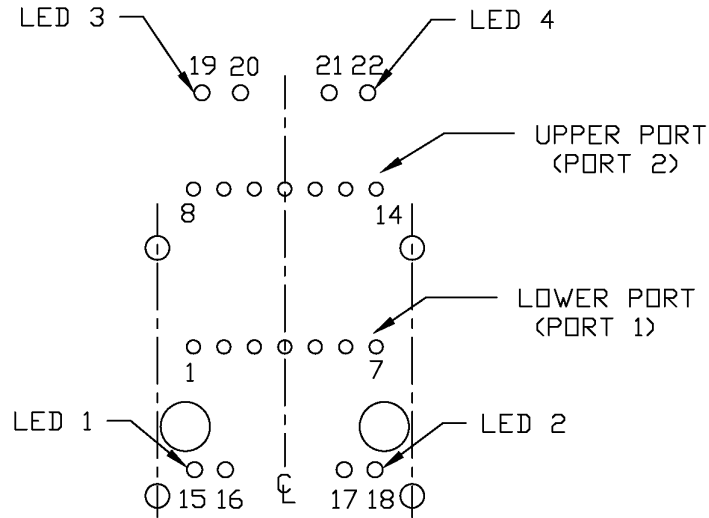
DC002(2)032305

This document is electronically generated. This is a controlled copy if used internally

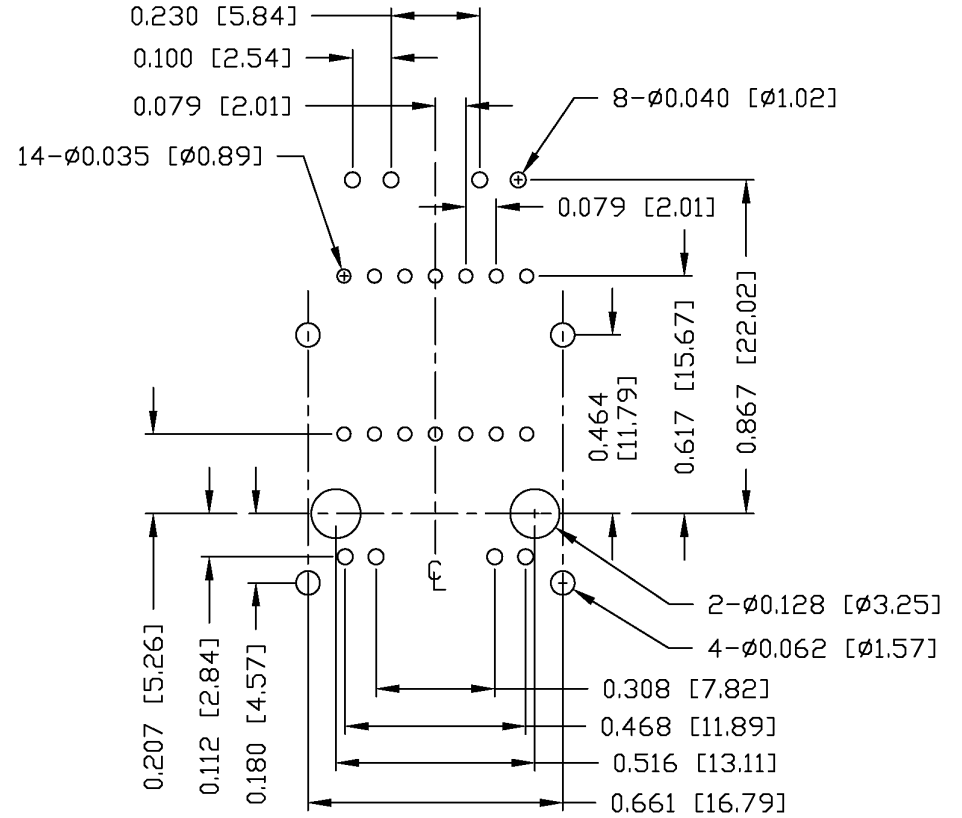
THE INFORMATION CONTAINED HEREIN IS CONSIDERED "PROPRIETARY" TO BEL FUSE INC. AND SHALL NOT BE COPIED, REPRODUCED OR DISCLOSED WITHOUT THE WRITTEN APPROVAL OF BEL FUSE INC.



LED CONFIGURATION



PIN-OUT INFORMATION
(COMPONENT SIDE VIEW)
(SCALE 2:1)



SUGGESTED FOOTPRINT
(COMPONENT SIDE VIEW)
(SCALE 2:1)

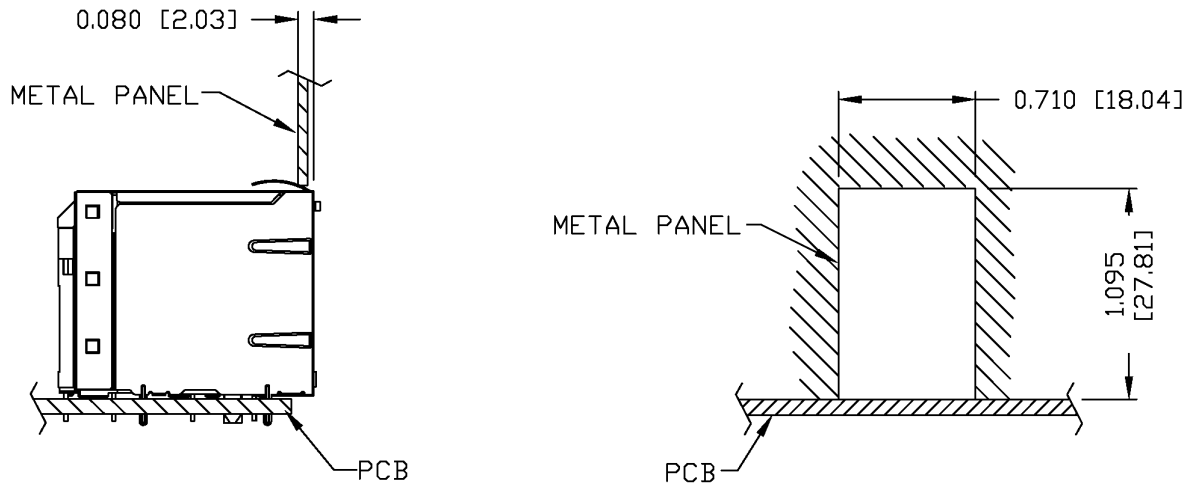
ORIGINATED BY BILL/KEUNG	DATE 02-14-06	TITLE 2X1 MagJack® (with LED)	PART NO. / DRAWING NO. 0845-2D1T-S4	STANDARD DIM. TOL. IN INCH	[] METRIC DIM. AS REFERENCE	
DRAWN BY QIN	DATE 02-14-06		FILE NAME 08452D1TS4A.DWG	.X .XX .XXX ±0.004	UNIT : INCH [mm] SCALE : N/A	REV. : A SIZE : A4 PAGE : 5



THE INFORMATION CONTAINED HEREIN IS CONSIDERED "PROPRIETARY" TO BEL FUSE INC. AND SHALL NOT BE COPIED, REPRODUCED OR DISCLOSED WITHOUT THE WRITTEN APPROVAL OF BEL FUSE INC.



SUGGESTED PANEL OPENING



NOTE:

THE DISTANCE OF PANEL INSIDE SURFACE RELATIVE TO FRONT SURFACE OF PART IS ONLY A SUGGESTION. IN CASE THIS DISTANCE IS DIFFERENT, THE REQUIRED PANEL OPENING DIMENSIONS CHANGE ACCORDINGLY.

PACKING INFORMATION

PACKING TRAY: 0200-9999-H5 (TOP)
0200-9999-H6 (BOTTOM)

PACKING QUANTITY: 40 PCS FINISHED GOODS PER TRAY
6 TRAYS (240 PCS FINISHED GOODS) PER CARTON BOX.

NOTE: CARDBOARD ARE PLACED BETWEEN LAYERS OF PACKING TRAY INSIDE CARTON BOX.
(INCLUDE THE UPPERMOST AND LOWEREST TRAY)

ORIGINATED BY BILL/KEUNG	DATE 02-14-06	TITLE 2X1 MagJack® (with LED)	PART NO. / DRAWING NO. 0845-2D1T-S4	STANDARD DIM. TOL. IN INCH	[] METRIC DIM. AS REFERENCE	 COMPONENTS FOR A CONNECTED PLANET
DRAWN BY QIN	DATE 02-14-06		FILE NAME 08452D1TS4A.DWG	.X .XX .XXX	±0.004	