



Chipsmall Limited consists of a professional team with an average of over 10 year of expertise in the distribution of electronic components. Based in Hongkong, we have already established firm and mutual-benefit business relationships with customers from,Europe,America and south Asia,supplying obsolete and hard-to-find components to meet their specific needs.

With the principle of “Quality Parts,Customers Priority,Honest Operation,and Considerate Service”,our business mainly focus on the distribution of electronic components. Line cards we deal with include Microchip,ALPS,ROHM,Xilinx,Pulse,ON,Everlight and Freescale. Main products comprise IC,Modules,Potentiometer,IC Socket,Relay,Connector.Our parts cover such applications as commercial,industrial, and automotives areas.

We are looking forward to setting up business relationship with you and hope to provide you with the best service and solution. Let us make a better world for our industry!



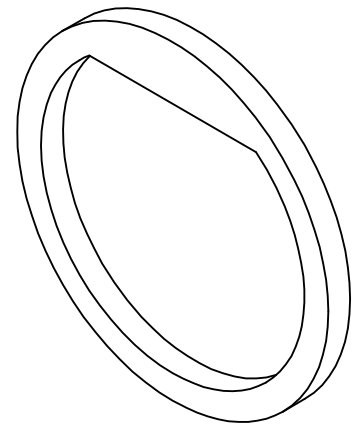
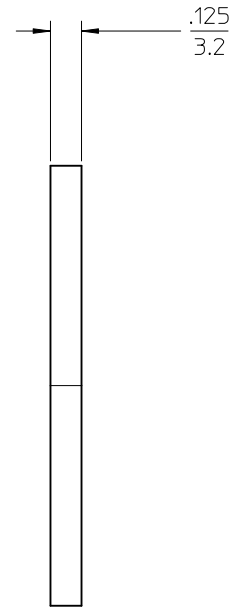
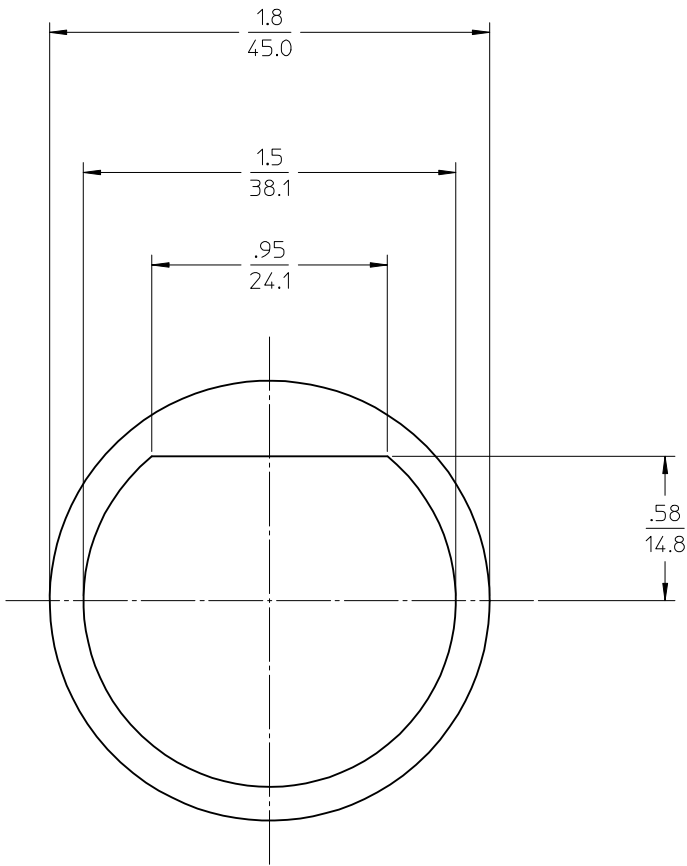
Contact us

Tel: +86-755-8981 8866 Fax: +86-755-8427 6832

Email & Skype: info@chipsmall.com Web: www.chipsmall.com

Address: A1208, Overseas Decoration Building, #122 Zhenhua RD., Futian, Shenzhen, China





NOTES:

1. MATERIAL: NEOPRENE
COLOR: BLACK
2. PART IS ROHS COMPLIANT.
3. USE WITH XRC RECEPTACLE CONNECTORS,
SERIES 84502 & 84508.

RELEASE EC NO: WNA2009-0507 DRW:WLEUNG 2009/07/13 CHK:DTITUS APPR:DTITUS 2009/07/13	REV	DESCRIPTION
	A	

QUALITY SYMBOLS	$\nabla=0$ $\sphericalangle=0$
-----------------	-----------------------------------

GENERAL TOLERANCES (UNLESS SPECIFIED)	
	mm INCH
4 PLACES	± --- ± ---
3 PLACES	± --- ± .005
2 PLACES	± 0.13 ± .01
1 PLACE	± 0.3 ± ---
ANGULAR ± 1/2°	
DRAFT WHERE APPLICABLE MUST REMAIN WITHIN DIMENSIONS	

DIMENSION STYLE	
IN/MM	
DRAWN BY	DATE
WLEUNG	2009/07/13
CHECKED BY	DATE
DTITUS	2009/07/13
APPROVED BY	DATE
DTITUS	2009/07/13
MATERIAL NO.	
845020027	

SCALE	2:1
DESIGN UNITS	INCH
THIRD ANGLE PROJECTION	
MOLEX INCORPORATED	
DOCUMENT NO.	SD-84502-027
SHEET NO.	1 OF 1

TITLE	
GASKET FOR PANEL MOUNT 18 SHELL RECEPTACLE	
MOLEX INCORPORATED	
DOCUMENT NO.	SD-84502-027
SHEET NO.	1 OF 1