

Chipsmall Limited consists of a professional team with an average of over 10 year of expertise in the distribution of electronic components. Based in Hongkong, we have already established firm and mutual-benefit business relationships with customers from,Europe,America and south Asia,supplying obsolete and hard-to-find components to meet their specific needs.

With the principle of “Quality Parts,Customers Priority,Honest Operation,and Considerate Service”,our business mainly focus on the distribution of electronic components. Line cards we deal with include Microchip,ALPS,ROHM,Xilinx,Pulse,ON,Everlight and Freescale. Main products comprise IC,Modules,Potentiometer,IC Socket,Relay,Connector.Our parts cover such applications as commercial,industrial, and automotives areas.

We are looking forward to setting up business relationship with you and hope to provide you with the best service and solution. Let us make a better world for our industry!



Contact us

Tel: +86-755-8981 8866 Fax: +86-755-8427 6832

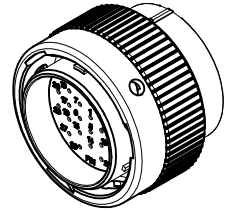
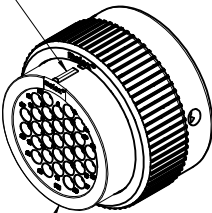
Email & Skype: info@chipsmall.com Web: www.chipsmall.com

Address: A1208, Overseas Decoration Building, #122 Zhenhua RD., Futian, Shenzhen, China



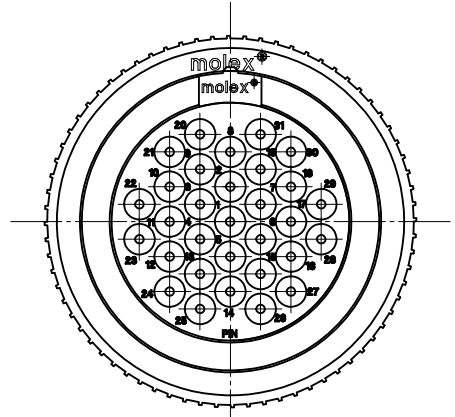
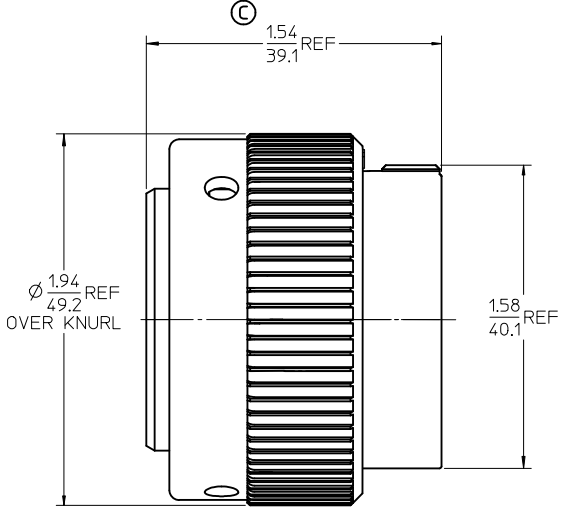
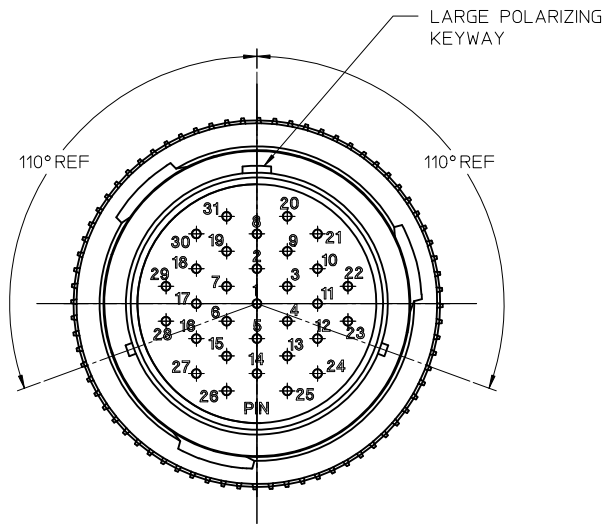
13	12	11	10	9
MATERIAL NUMBER	WIRE AWG	INSULATION DIA O.D.	RING	
845050001	18-14	.053-.134/1.35-3.40	STANDARD, BLACK	

LARGE POLARIZING
KEYWAY INDICATOR



STANDARD
BLACK RING

ASSEMBLED ISOVIEW
SCALE 1:1



WIRE ENTRY VIEW
SCALE 2:1

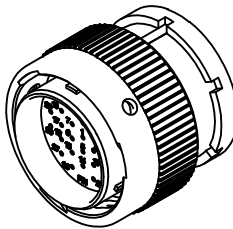
NOTES:

1. USE CONNECTOR WITH MALE CRIMP TERMINAL SERIES 84524. (C)
2. MATES WITH RECEPTACLE CONNECTOR SERIES 84506.
3. ASSEMBLY IS ROHS COMPLIANT.
4. PACKAGED PER PK-84501-001.

UPDATE DIM. & TERM. SERIES EC NO: MNA2011-0306 DRW: WLEUNG 2010/12/13 CHKD: APPR: DITTIUS 2011/01/14 REY:	QUALITY SYMBOLS 	GENERAL TOLERANCES (UNLESS SPECIFIED) <table border="1"> <thead> <tr> <th></th> <th>mm</th> <th>INCH</th> </tr> </thead> <tbody> <tr> <td>4 PLACES</td> <td>± .001</td> <td>± .0005</td> </tr> <tr> <td>3 PLACES</td> <td>± .002</td> <td>± .001</td> </tr> <tr> <td>2 PLACES</td> <td>± .005</td> <td>± .002</td> </tr> <tr> <td>1 PLACE</td> <td>± .015</td> <td>± .006</td> </tr> </tbody> </table>		mm	INCH	4 PLACES	± .001	± .0005	3 PLACES	± .002	± .001	2 PLACES	± .005	± .002	1 PLACE	± .015	± .006	DIMENSION STYLE IN/MM DRAWN BY DATE BRUPERT 2006/3/21 CHECKED BY DATE JPAWLICKI 2006/6/16 APPROVED BY DATE RDEROSS 2006/6/17	SCALE 2:1 DESIGN UNITS INCH THIRD ANGLE PROJECTION	PLUG CONNECTOR ASSEMBLY, 24-31 POS PIN TERMINALS MOLEX INCORPORATED MATERIAL NO. 845050001 DOCUMENT NO. SD-84505-001 SHEET NO. 1 OF 2
		mm	INCH																	
	4 PLACES	± .001	± .0005																	
	3 PLACES	± .002	± .001																	
2 PLACES	± .005	± .002																		
1 PLACE	± .015	± .006																		
DRAFT WHERE APPLICABLE MUST REMAIN WITHIN DIMENSIONS			THIS DRAWING CONTAINS INFORMATION THAT IS PROPRIETARY TO MOLEX, INCORPORATED AND SHOULD NOT BE USED WITHOUT WRITTEN PERMISSION																	

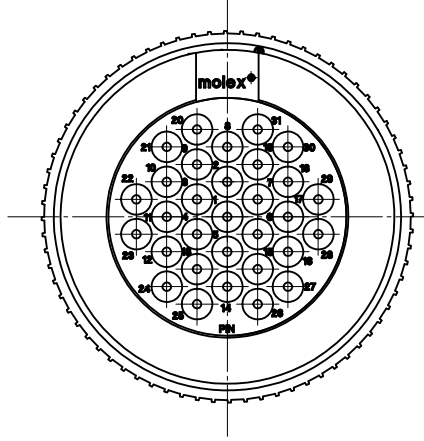
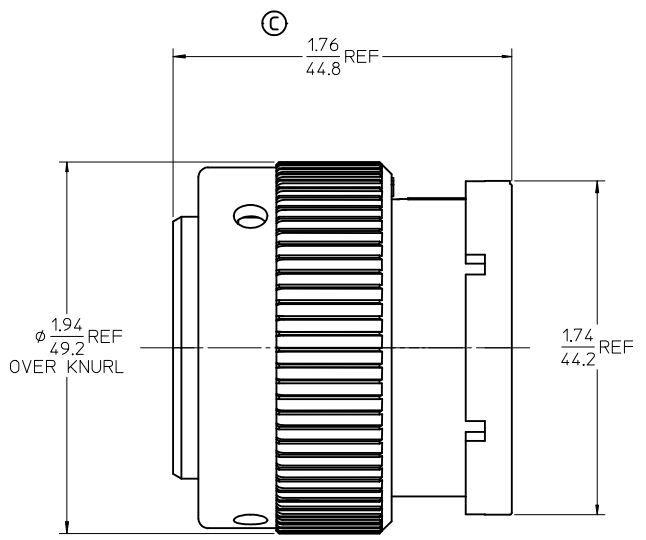
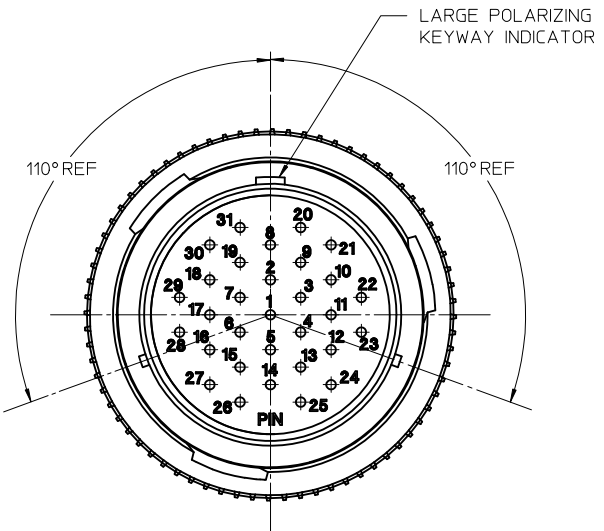
13	12	11	10	9	8	7	6	5	4	3	2	1
MATERIAL NUMBER	WIRE AWG	INSULATION DIA O.D.	RING									
845050003	18-14	.053-.134/1.35-3.40	EXTENDED LIP, BLACK									

LARGE POLARIZING KEYWAY INDICATOR



EXTENDED LIP
BLACK RING

ASSEMBLED ISOVIEW
SCALE 1:1



WIRE ENTRY VIEW
SCALE 2:1

- NOTES:
1. USE CONNECTOR WITH MALE CRIMP TERMINAL SERIES 84524. Ⓢ
 2. MATES WITH RECEPTACLE CONNECTOR SERIES 84506.
 3. USE CONNECTOR WITH STRAIN RELIEF BACKSHELL, MOLEX MATERIAL NO. 84537-0003.
 4. ASSEMBLY IS ROHS COMPLIANT.
 5. PACKAGED PER PK-84501-001.

UPDATE DIM. & TERM. SERIES EC NO: MNA2011-0306 DRAWING/REV 2010/12/13 CHKD: APPR:DTITUS 2011/01/14	QUALITY SYMBOLS	GENERAL TOLERANCES (UNLESS SPECIFIED)	DIMENSION STYLE IN/MM	SCALE 1:1	DESIGN UNITS INCH	THIRD ANGLE PROJECTION	
	▼=0	mm INCH	DRAWN BY BRUPERT	DATE 2006/3/21	TITLE PLUG CONNECTOR ASSEMBLY, 24-31 POS PIN TERMINALS		
	▽=0	4 PLACES ± --- ± --- 3 PLACES ± --- ± --- 2 PLACES ± --- ± .015 1 PLACE ± 0.38 ± ---	CHECKED BY JPAWLICKI	DATE 2006/6/6	MOLEX MOLEX INCORPORATED		
		ANGULAR ± 2 °	APPROVED BY RDEROSS	DATE 2006/6/7	MATERIAL NO. 845050003	DOCUMENT NO. SD-84505-001	SHEET NO. 2 OF 2
		DRAFT WHERE APPLICABLE MUST REMAIN WITHIN DIMENSIONS	THIS DRAWING CONTAINS INFORMATION THAT IS PROPRIETARY TO MOLEX INCORPORATED AND SHOULD NOT BE USED WITHOUT WRITTEN PERMISSION				