



Chipsmall Limited consists of a professional team with an average of over 10 year of expertise in the distribution of electronic components. Based in Hongkong, we have already established firm and mutual-benefit business relationships with customers from,Europe,America and south Asia,supplying obsolete and hard-to-find components to meet their specific needs.

With the principle of “Quality Parts,Customers Priority,Honest Operation,and Considerate Service”,our business mainly focus on the distribution of electronic components. Line cards we deal with include Microchip,ALPS,ROHM,Xilinx,Pulse,ON,Everlight and Freescale. Main products comprise IC,Modules,Potentiometer,IC Socket,Relay,Connector.Our parts cover such applications as commercial,industrial, and automotives areas.

We are looking forward to setting up business relationship with you and hope to provide you with the best service and solution. Let us make a better world for our industry!



Contact us

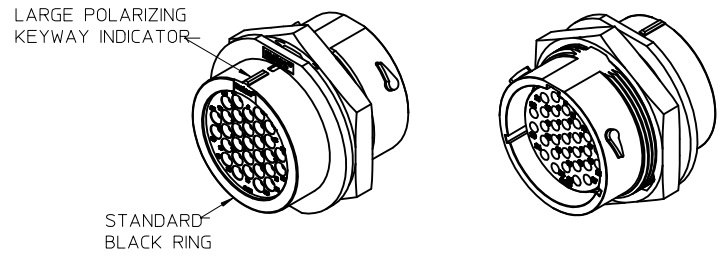
Tel: +86-755-8981 8866 Fax: +86-755-8427 6832

Email & Skype: info@chipsmall.com Web: www.chipsmall.com

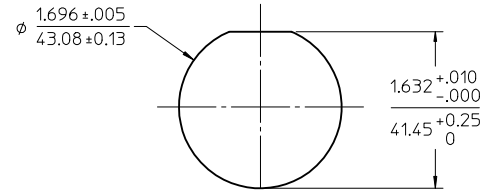
Address: A1208, Overseas Decoration Building, #122 Zhenhua RD., Futian, Shenzhen, China



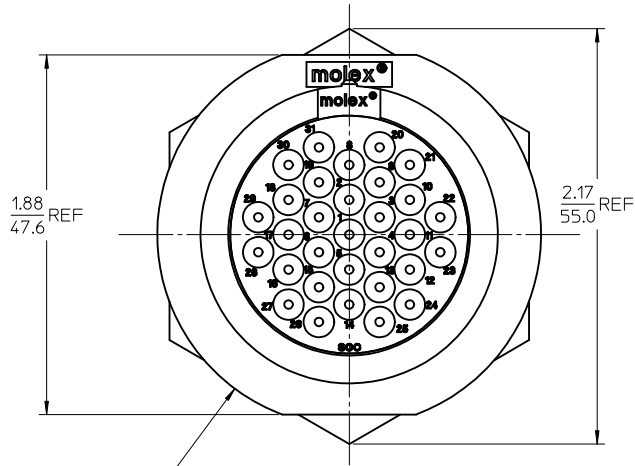
13	12	11	10	9	8	7	6	5	4	3	2	1
MATERIAL NUMBER	WIRE AWG	INSULATION O.D.	RING									
845060001	18-14	.053-.134/1.35-3.40	STANDARD BLACK									



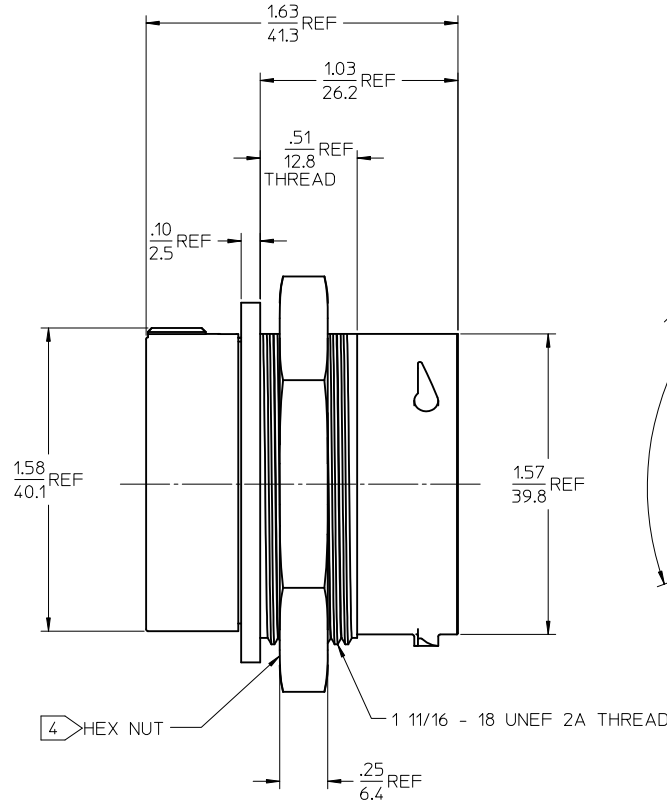
ASSEMBLED VIEW
SCALE 1:1



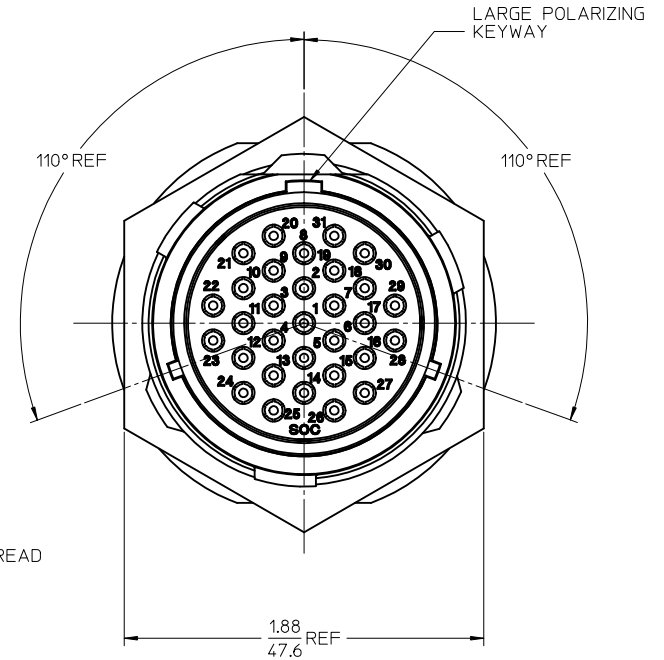
RECOMMENDED MOUNTING HOLE



WIRE ENTRY VIEW
SCALE 2:1



4 HEX NUT

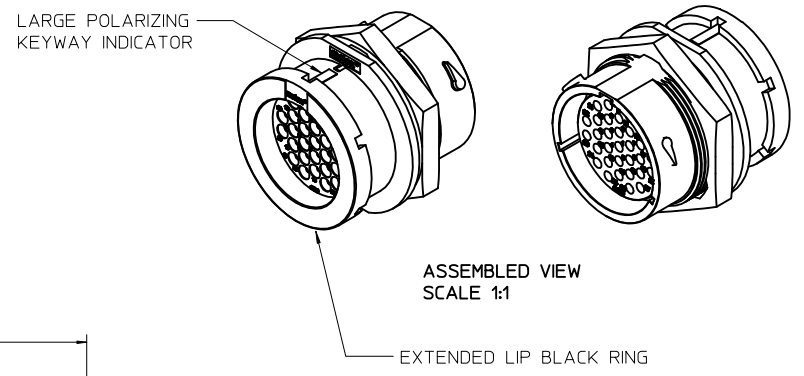


NOTES:

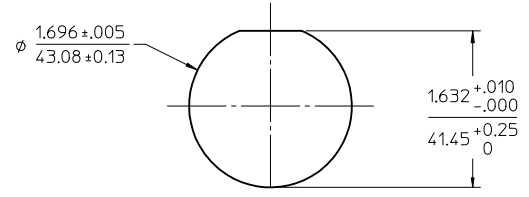
1. RECOMMENDED PANEL THICKNESS .062/1.58 TO .187/4.75.
2. USE CONNECTOR WITH FEMALE CRIMP TERMINAL SERIES 84525.
3. MATES WITH PLUG CONNECTOR SERIES 84505.
4. HEX NUT SOLD SEPARATELY, MOLEX MATERIAL NUMBER 84506-0012.
5. ASSEMBLY IS ROHS COMPLIANT.
6. PACKAGED PER PK-84501-001.

REVISE TERM. NOTE EC NO: WNA2011-0406 DRAWN/CHKD: DRW/ML/LEUNG APPR:DTI/TUS	QUALITY SYMBOLS ▽=0 ▽=0	GENERAL TOLERANCES (UNLESS SPECIFIED)		DIMENSION STYLE	SCALE	DESIGN UNITS	THIRD ANGLE PROJECTION
		mm	INCH	IN/MM	2:1	INCH	
DRAWN BY: JPAWLICKI CHECKED BY: JPAWLICKI APPROVED BY: RDEROSS	DESCRIPTION	4 PLACES ± --- ± ---		DRAWN BY: JPAWLICKI	DATE: 2006/6/5	RECP. CONNECTOR ASSEMBLY, 24-31 POS SOCKET TERMINALS	
		3 PLACES ± --- ± ---		CHECKED BY: JPAWLICKI	DATE: 2006/6/6		
REV	MATERIAL NO. 845060001	2 PLACES ± --- ± .015		APPROVED BY: RDEROSS	DATE: 2006/6/7	MOLEX MOLEX INCORPORATED	
		1 PLACE ± 0.38 ± ---		DOCUMENT NO. SD-84506-001			
DRAFT WHERE APPLICABLE MUST REMAIN WITHIN DIMENSIONS		ANGULAR ± 2 °		SHEET NO. 1 OF 2			
THIS DRAWING CONTAINS INFORMATION THAT IS PROPRIETARY TO MOLEX INCORPORATED AND SHOULD NOT BE USED WITHOUT WRITTEN PERMISSION							

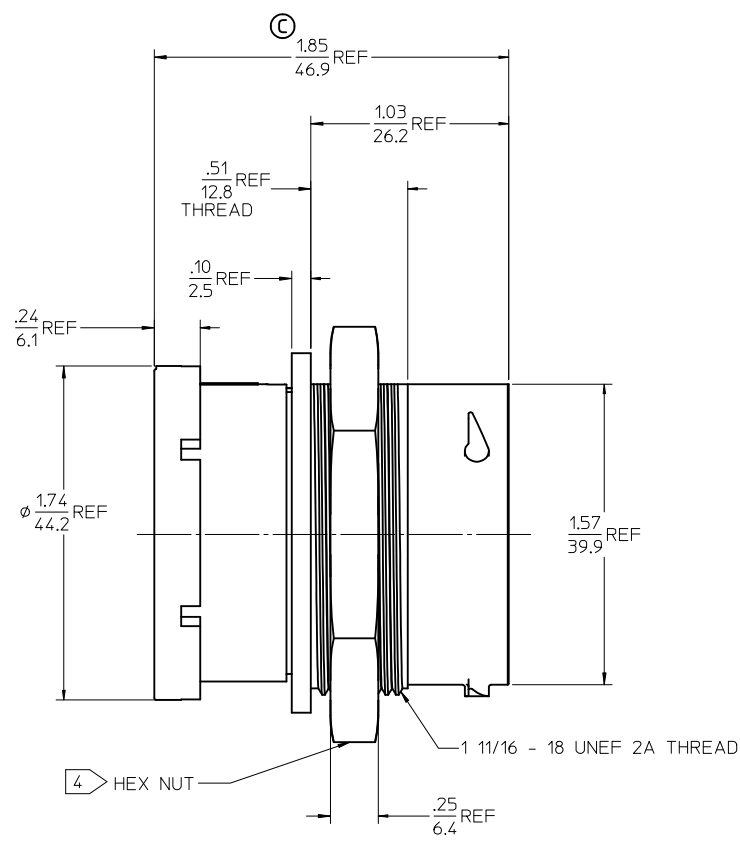
MATERIAL NUMBER	WIRE AWG	INSULATION O.D.	RING
845060003	18-14	.053-.134/1.35-3.40	EXTENDED LIP BLACK



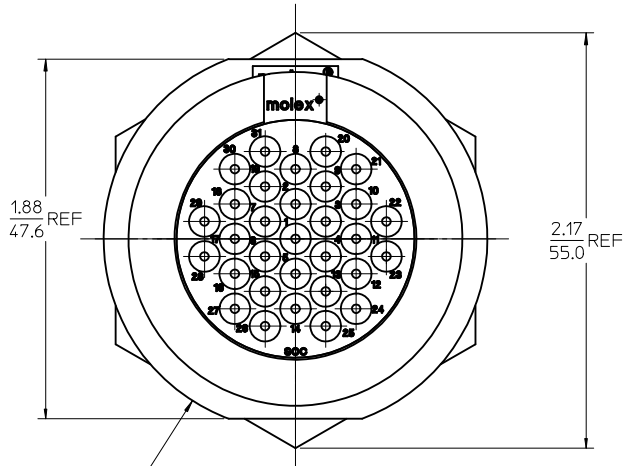
ASSEMBLED VIEW
SCALE 1:1



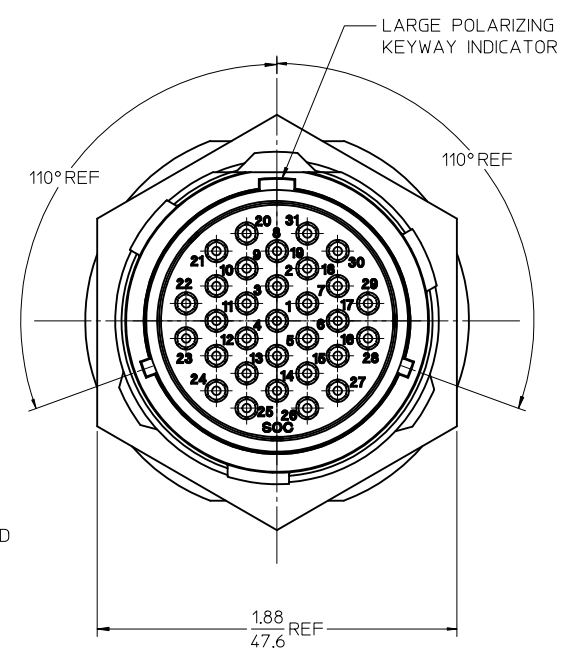
RECOMMENDED MOUNTING HOLE



4 HEX NUT



WIRE ENTRY VIEW
SCALE 2:1



LARGE POLARIZING
KEYWAY INDICATOR

NOTES:

1. RECOMMENDED PANEL THICKNESS .062/1.58 TO .187/4.75.
2. USE CONNECTOR WITH FEMALE CRIMP TERMINAL SERIES 84525.
3. MATES WITH PLUG CONNECTOR SERIES 84505.
4. HEX NUT SOLD SEPARATELY, MOLEX MATERIAL NUMBER 84506-0012.
5. USE CONNECTOR WITH STRAIN RELIEF BACKSHELL, MOLEX MATERIAL NO. 84537-0003.
6. ASSEMBLY IS ROHS COMPLIANT.
7. PACKAGED PER PK-84501-001.

UPDATE OVERALL LENGTH & REVISE TERM. NOTE REC NO: WNA2011-0406 2011/02/01	QUALITY SYMBOLS ▽=0 ▽=0
DRW:WLEUNG 2011/02/01 CHKD: APPR:DTITUS 2011/02/04	DESCRIPTION

GENERAL TOLERANCES (UNLESS SPECIFIED)	
	mm INCH
4 PLACES ± ---	± ---
3 PLACES ± ---	± ---
2 PLACES ± ---	± .015
1 PLACE ± 0.38	± ---
ANGULAR ± 2 °	
DRAFT WHERE APPLICABLE MUST REMAIN WITHIN DIMENSIONS	

DIMENSION STYLE IN/MM	
DRAWN BY JPAWLICKI	DATE 2006/6/5
CHECKED BY JPAWLICKI	DATE 2006/6/6
APPROVED BY RDEROSS	DATE 2006/6/7
MATERIAL NO. 845060003	

SCALE 1:1	DESIGN UNITS INCH	THIRD ANGLE PROJECTION
TITLE RECT. CONNECTOR ASSEMBLY, 24-31 POS SOCKET TERMINALS		
MOLEX INCORPORATED		
DOCUMENT NO. SD-84506-001	SHEET NO. 2 OF 2	
THIS DRAWING CONTAINS INFORMATION THAT IS PROPRIETARY TO MOLEX INCORPORATED AND SHOULD NOT BE USED WITHOUT WRITTEN PERMISSION		