



Chipsmall Limited consists of a professional team with an average of over 10 year of expertise in the distribution of electronic components. Based in Hongkong, we have already established firm and mutual-benefit business relationships with customers from,Europe,America and south Asia,supplying obsolete and hard-to-find components to meet their specific needs.

With the principle of “Quality Parts,Customers Priority,Honest Operation,and Considerate Service”,our business mainly focus on the distribution of electronic components. Line cards we deal with include Microchip,ALPS,ROHM,Xilinx,Pulse,ON,Everlight and Freescale. Main products comprise IC,Modules,Potentiometer,IC Socket,Relay,Connector.Our parts cover such applications as commercial,industrial, and automotives areas.

We are looking forward to setting up business relationship with you and hope to provide you with the best service and solution. Let us make a better world for our industry!



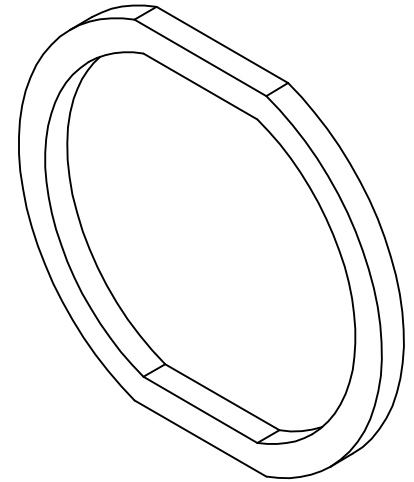
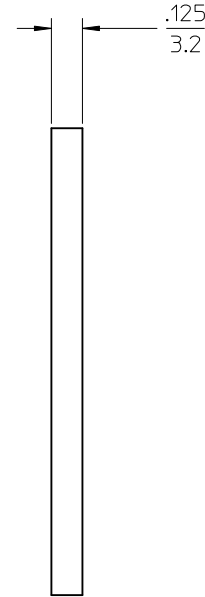
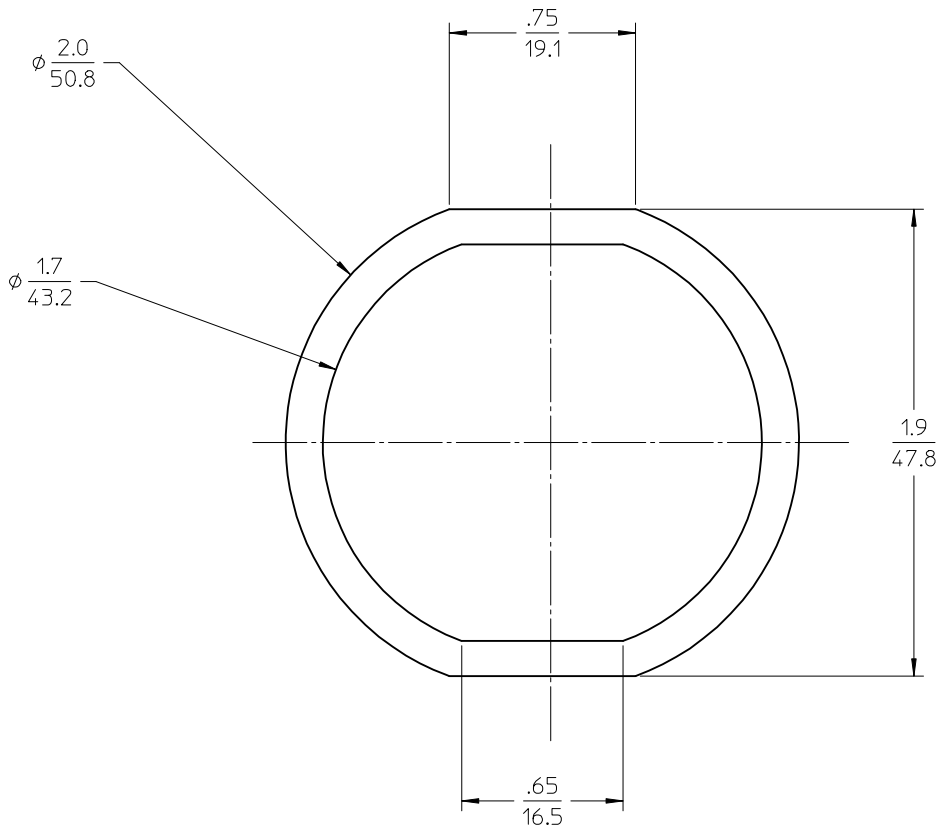
## Contact us

Tel: +86-755-8981 8866 Fax: +86-755-8427 6832

Email & Skype: info@chipsmall.com Web: www.chipsmall.com

Address: A1208, Overseas Decoration Building, #122 Zhenhua RD., Futian, Shenzhen, China





NOTES:

1. MATERIAL: NEOPRENE  
COLOR: BLACK
2. PART IS ROHS COMPLIANT.
3. USE WITH XRC RECEPTACLE CONNECTORS,  
SERIES 84506 & 84511.

RELEASE EC NO: WNA2009-0507 DRAWN: WLEUNG 2009/07/13 CHKD: DTITUS APPR: DTITUS 2009/07/30	DESCRIPTION DTITUS	QUALITY SYMBOLS	GENERAL TOLERANCES (UNLESS SPECIFIED)		DIMENSION STYLE IN/MM		SCALE 2:1	DESIGN UNITS INCH	THIRD ANGLE PROJECTION	
		▽=0	mm	INCH	DRAWN BY WLEUNG	DATE 2009/07/13	TITLE <b>GASKET FOR PANEL MOUNT, 24 SHELL RECEPTACLE</b> MOLEX INCORPORATED			
		▽=0	4 PLACES ± --- ± ---	3 PLACES ± --- ± .005	CHECKED BY DTITUS	DATE 2009/07/13				
			2 PLACES ± 0.013 ± .01	1 PLACE ± 0.3 ± ---	APPROVED BY DTITUS	DATE 2009/07/13	MATERIAL NO. 845060062	DOCUMENT NO. SD-84506-062	SHEET NO. 1 OF 1	
DRAFT WHERE APPLICABLE MUST REMAIN WITHIN DIMENSIONS			ANGULAR ± 1 °		THIS DRAWING CONTAINS INFORMATION THAT IS PROPRIETARY TO MOLEX INCORPORATED AND SHOULD NOT BE USED WITHOUT WRITTEN PERMISSION					