



Chipsmall Limited consists of a professional team with an average of over 10 year of expertise in the distribution of electronic components. Based in Hongkong, we have already established firm and mutual-benefit business relationships with customers from,Europe,America and south Asia,supplying obsolete and hard-to-find components to meet their specific needs.

With the principle of “Quality Parts,Customers Priority,Honest Operation,and Considerate Service”,our business mainly focus on the distribution of electronic components. Line cards we deal with include Microchip,ALPS,ROHM,Xilinx,Pulse,ON,Everlight and Freescale. Main products comprise IC,Modules,Potentiometer,IC Socket,Relay,Connector.Our parts cover such applications as commercial,industrial, and automotives areas.

We are looking forward to setting up business relationship with you and hope to provide you with the best service and solution. Let us make a better world for our industry!



Contact us

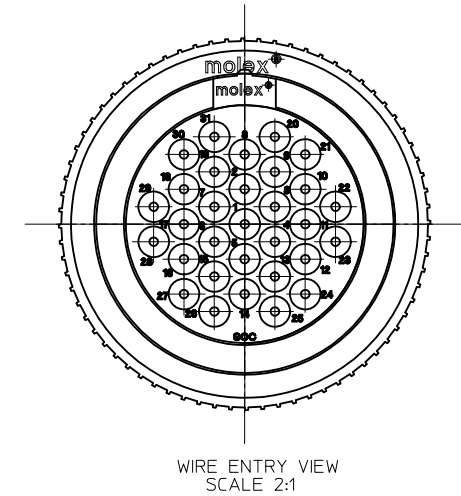
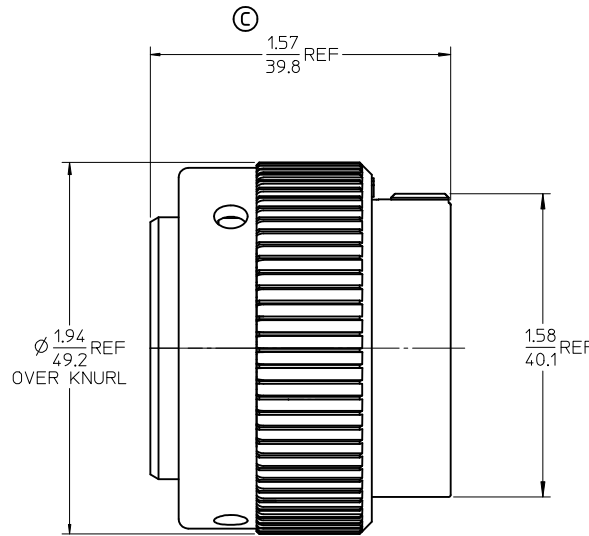
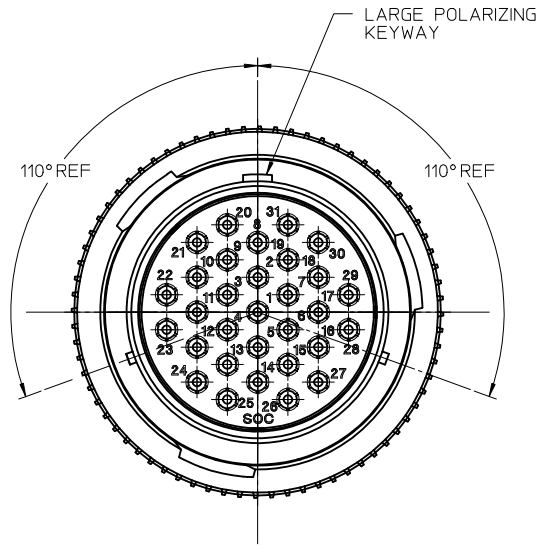
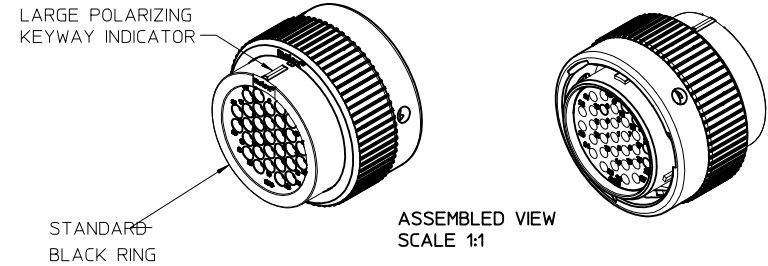
Tel: +86-755-8981 8866 Fax: +86-755-8427 6832

Email & Skype: info@chipsmall.com Web: www.chipsmall.com

Address: A1208, Overseas Decoration Building, #122 Zhenhua RD., Futian, Shenzhen, China



13	12	11	10	9	8	7	6	5	4	3	2	1
MATERIAL NUMBER	WIRE AWG	INSULATION DIA O.D.	RING									
845100004	18-14	.053-.134/1.35-3.40	STANDARD BLACK									

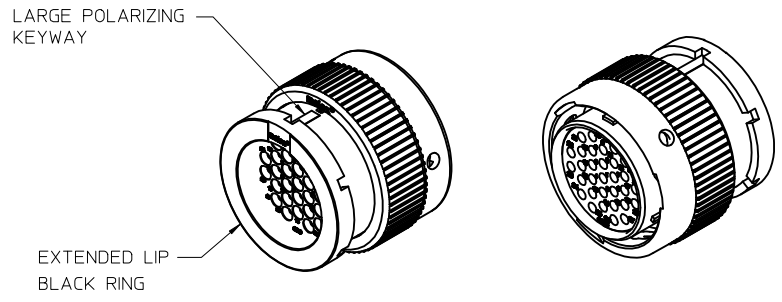


NOTES:

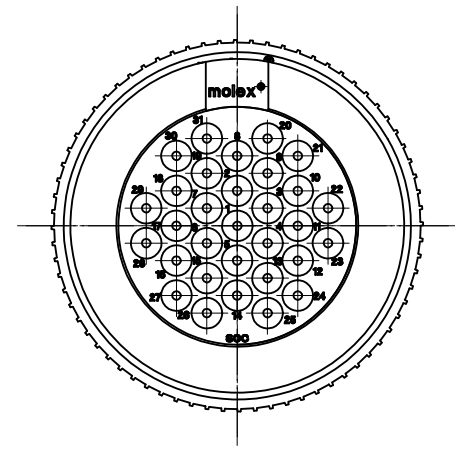
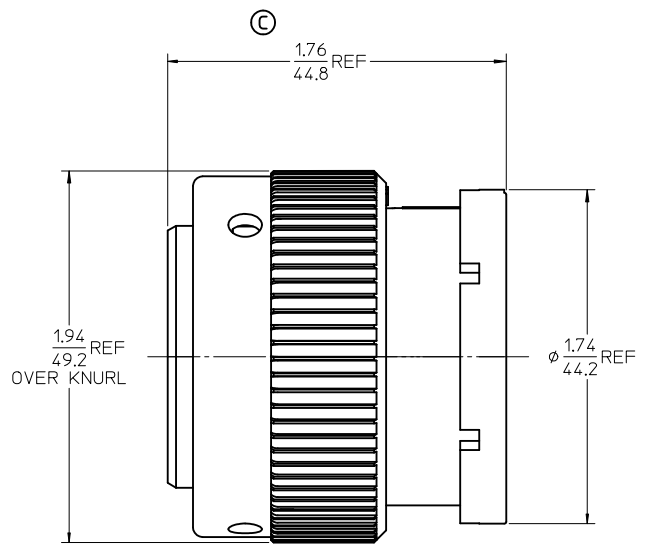
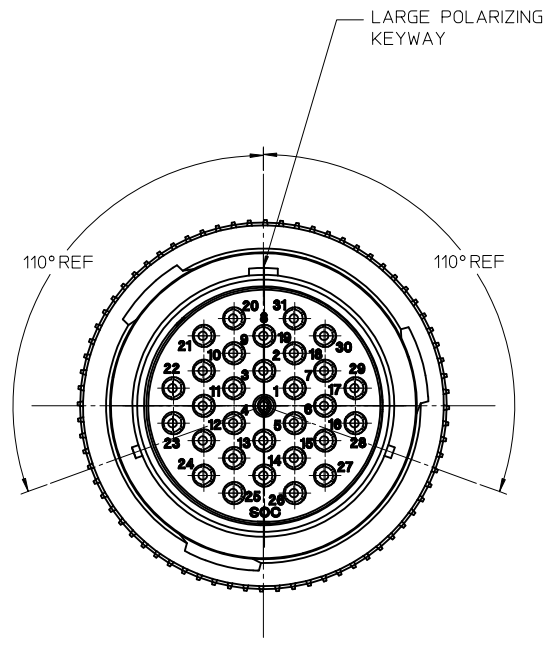
- USE CONNECTOR WITH FEMALE CRIMP TERMINAL SERIES 84525. ©
- MATES WITH RECEPTACLE CONNECTOR SERIES 84511.
- ASSEMBLY IS ROHS COMPLIANT.
- PACKAGED PER PK-84501-001.

UPDATE DIM. & TERM. SERIES EC NO: WNA2011-0306 DRAWING NO: 2010/12/13 CHKD: JPAWLICKI APPR: DITITUS 2011/01/14	QUALITY SYMBOLS ▽=0 ▽=0	GENERAL TOLERANCES (UNLESS SPECIFIED)		DIMENSION STYLE		SCALE	DESIGN UNITS	THIRD ANGLE PROJECTION		
				IN/MM		2:1	INCH			
		4 PLACES	± ---	± ---	DRAWN BY	DATE	TITLE PLUG CONNECTOR ASSEMBLY, 24-31 POS SOCKET TERMINALS			
		3 PLACES	± ---	± ---	BRUPERT	2006/2/8				
2 PLACES	± ---	± .015	CHECKED BY	DATE	MOLEX INCORPORATED					
1 PLACE	± 0.38	± ---	JPAWLICKI	2006/6/6						
ANGULAR ± 2 °		APPROVED BY		DATE	DOCUMENT NO.		SHEET NO.			
DRAFT WHERE APPLICABLE MUST REMAIN WITHIN DIMENSIONS		RDEROSS		2006/6/7	SD-84510-002		1 OF 2			
		MATERIAL NO.		SIZE		THIS DRAWING CONTAINS INFORMATION THAT IS PROPRIETARY TO MOLEX INCORPORATED AND SHOULD NOT BE USED WITHOUT WRITTEN PERMISSION				
		845100004		C						

13	12	11	10	9
MATERIAL NUMBER	WIRE AWG	INSULATION DIA O.D.	RING	
845100005	18-14	.053-.134/1.35-3.40	EXTENDED LIP, BLACK	



ASSEMBLED VIEW
SCALE 1:1



WIRE ENTRY VIEW
SCALE 2:1

NOTES:

1. USE CONNECTOR WITH MALE CRIMP TERMINAL SERIES 84525. ©
2. MATES WITH RECEPTACLE CONNECTOR SERIES 84506.
3. USE CONNECTOR WITH STRAIN RELIEF BACKSHELL, MOLEX MATERIAL NO. 84537-0003.
4. ASSEMBLY IS ROHS COMPLIANT.
5. PACKAGED PER PK-84501-001.

UPDATE DIM. & TERM. SERIES EC NO: MNA2011-0306 DRAWN/LEUNG 2010/12/13 CHKD: APPR:DTITUS 2011/01/14 REV:	QUALITY SYMBOLS ▽=0 ▽=0	GENERAL TOLERANCES (UNLESS SPECIFIED) <table border="1"> <tr> <th></th> <th>mm</th> <th>INCH</th> </tr> <tr> <td>4 PLACES</td> <td>± ---</td> <td>± ---</td> </tr> <tr> <td>3 PLACES</td> <td>± ---</td> <td>± ---</td> </tr> <tr> <td>2 PLACES</td> <td>± ---</td> <td>± .015</td> </tr> <tr> <td>1 PLACE</td> <td>± 0.38</td> <td>± ---</td> </tr> </table>		mm	INCH	4 PLACES	± ---	± ---	3 PLACES	± ---	± ---	2 PLACES	± ---	± .015	1 PLACE	± 0.38	± ---	DIMENSION STYLE IN/MM	SCALE 1:1	DESIGN UNITS INCH	THIRD ANGLE PROJECTION
		mm	INCH																		
4 PLACES	± ---	± ---																			
3 PLACES	± ---	± ---																			
2 PLACES	± ---	± .015																			
1 PLACE	± 0.38	± ---																			
DRAFT WHERE APPLICABLE MUST REMAIN WITHIN DIMENSIONS	DRAWN BY BRUPERT	DATE 2006/2/8	CHECKED BY JPAWLICKI	DATE 2006/6/6	TITLE PLUG CONNECTOR ASSEMBLY, 24-31 POS SOCKET TERMINALS	MATERIAL NO. 845100005	DOCUMENT NO. SD-84510-002	SHEET NO. 2 OF 2													

THIS DRAWING CONTAINS INFORMATION THAT IS PROPRIETARY TO MOLEX INCORPORATED AND SHOULD NOT BE USED WITHOUT WRITTEN PERMISSION