



Chipsmall Limited consists of a professional team with an average of over 10 year of expertise in the distribution of electronic components. Based in Hongkong, we have already established firm and mutual-benefit business relationships with customers from,Europe,America and south Asia,supplying obsolete and hard-to-find components to meet their specific needs.

With the principle of "Quality Parts,Customers Priority,Honest Operation,and Considerate Service",our business mainly focus on the distribution of electronic components. Line cards we deal with include Microchip,ALPS,ROHM,Xilinx,Pulse,ON,Everlight and Freescale. Main products comprise IC,Modules,Potentiometer,IC Socket,Relay,Connector.Our parts cover such applications as commercial,industrial, and automotives areas.

We are looking forward to setting up business relationship with you and hope to provide you with the best service and solution. Let us make a better world for our industry!



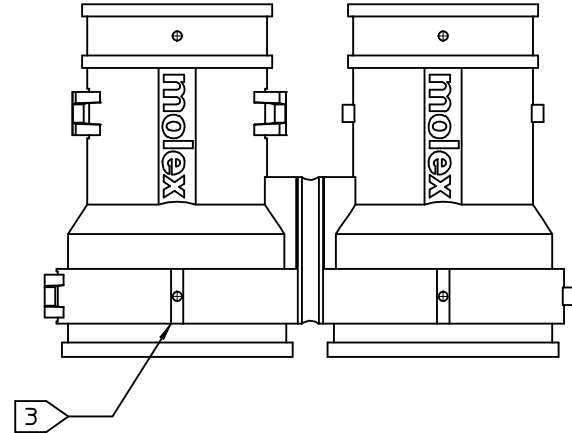
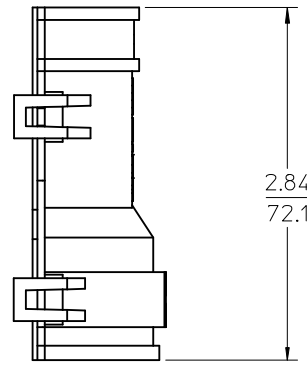
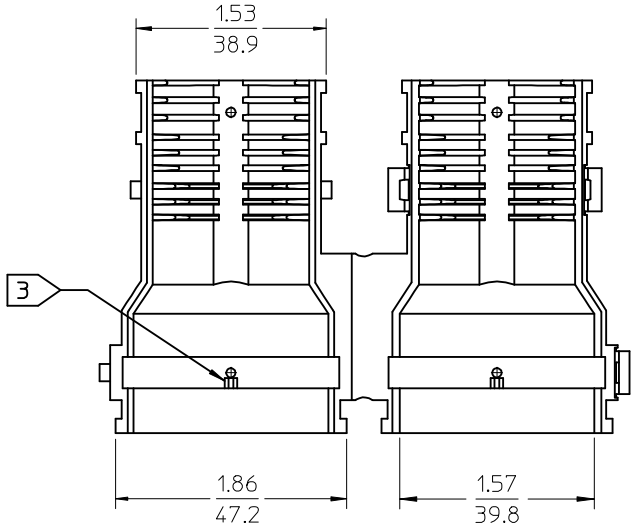
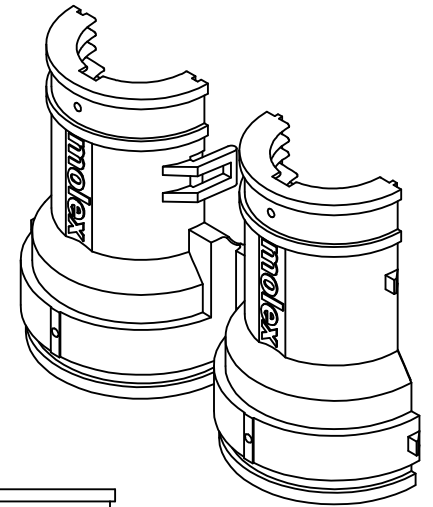
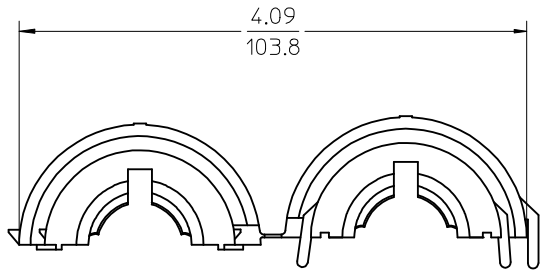
Contact us

Tel: +86-755-8981 8866 Fax: +86-755-8427 6832

Email & Skype: info@chipsmall.com Web: www.chipsmall.com

Address: A1208, Overseas Decoration Building, #122 Zhenhua RD., Futian, Shenzhen, China





- NOTES:
- ① 1. MATERIAL: NYLON (PA6/6), BLACK, UL94 V-2
 - 2. MATES WITH PART NUMBERS: 845050003, 845060003, 845100005, 845110005
 - ③ 3. CRENELLATION TABS MUST ALIGN WITH MATING PART NOTCHES
 - 4. RoHS COMPLIANT
 - 5. BACKSHELL ACCEPTS CORRUGATED TUBING ID SIZES 17, 19 AND 26MM

MATL DESCRIPTION EC NO: WNA2008-0347 DRAWN: TMOELLER 2009/05/18 CHKD: 2009/05/20 APPR: RDEROSS 2009/05/20	QUALITY SYMBOLS ▽=0 ▽=0	GENERAL TOLERANCES (UNLESS SPECIFIED)		DIMENSION STYLE IN/MM		SCALE 1:1	DESIGN UNITS INCH	THIRD ANGLE PROJECTION		
		mm	INCH	DRAWN BY	DATE	TITLE LONG BACKSHELL, STRAIGHT 24 SHELL SIZE XRC				
		4 PLACES ± .005	± .005	TMOELLER	2008/08/14					
		3 PLACES ± .005	± .005	CHECKED BY	DATE	MOLEX INCORPORATED				
2 PLACES ± .005	± .02	TMOELLER	2008/08/14							
1 PLACE ± .01	± .005	APPROVED BY	DATE	MATERIAL NO. 845370003		DOCUMENT NO. SD-84537-003		SHEET NO. 1 OF 1		
ANGULAR ±1/2°		DRAFT WHERE APPLICABLE MUST REMAIN WITHIN DIMENSIONS		SIZE B		THIS DRAWING CONTAINS INFORMATION THAT IS PROPRIETARY TO MOLEX INCORPORATED AND SHOULD NOT BE USED WITHOUT WRITTEN PERMISSION				