



Chipsmall Limited consists of a professional team with an average of over 10 year of expertise in the distribution of electronic components. Based in Hongkong, we have already established firm and mutual-benefit business relationships with customers from,Europe,America and south Asia,supplying obsolete and hard-to-find components to meet their specific needs.

With the principle of “Quality Parts,Customers Priority,Honest Operation,and Considerate Service”,our business mainly focus on the distribution of electronic components. Line cards we deal with include Microchip,ALPS,ROHM,Xilinx,Pulse,ON,Everlight and Freescale. Main products comprise IC,Modules,Potentiometer,IC Socket,Relay,Connector.Our parts cover such applications as commercial,industrial, and automotives areas.

We are looking forward to setting up business relationship with you and hope to provide you with the best service and solution. Let us make a better world for our industry!



Contact us

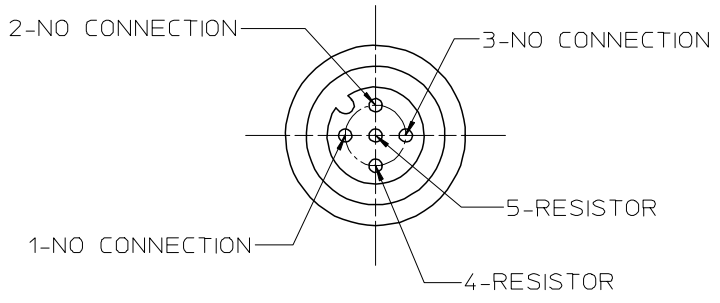
Tel: +86-755-8981 8866 Fax: +86-755-8427 6832

Email & Skype: info@chipsmall.com Web: www.chipsmall.com

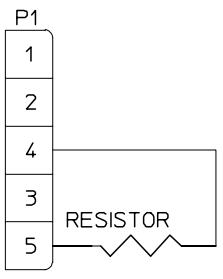
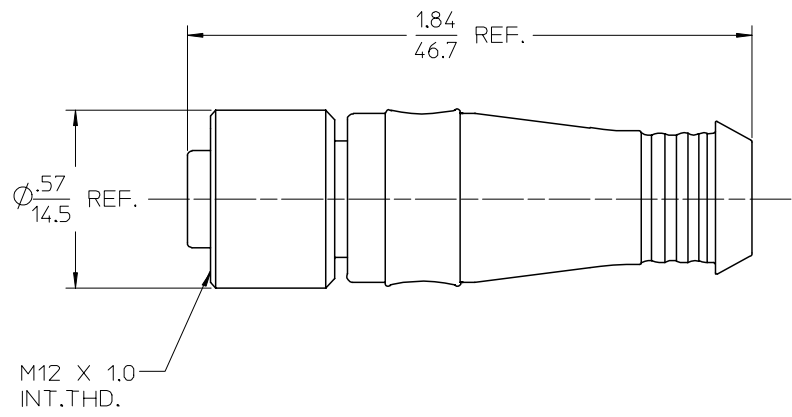
Address: A1208, Overseas Decoration Building, #122 Zhenhua RD., Futian, Shenzhen, China



MOLEX PART NO.	OLD MOLEX PART NO.
845860019	845860007



FRONT VIEW - FEMALE INSERT



WIRING DIAGRAM

MATERIAL SPECIFICATIONS:

1. INSERT: GRAY PVC
2. CONTACTS: BRASS OR PHOSPHOR BRONZE W/GOLD FLASH OVER PALLADIUM NICKEL PLATING.
3. COUPLING NUT: NICKEL-BRASS
4. RESISTOR - 121 OHM 1/4 WATT
5. COMPONENTS USED IN THIS ASSEMBLY ARE RoHS COMPLIANT OR COMPLIANT BY EXEMPTION.

RELEASED EC NO: ETC2007-0424 DRWR: R. STONE 2007/05/16 CHKD: J. MACNEIL 2007/05/16 APPR: J. MACNEIL 2007/05/17	DESCRIPTION QUALITY SYMBOLS ▽=0 ▽=0	GENERAL TOLERANCES (UNLESS SPECIFIED)		DIMENSION STYLE	SCALE	DESIGN UNITS	THIRD ANGLE PROJECTION	
				IN/MM	---	INCH		
		4 PLACES	± ---	± ---	DRAWN BY	DATE		TITLE
		3 PLACES	± ---	± .005	R. STONE	2007/05/16		MICRO-C TERMINATOR, 5/C FEMALE, WITH RESISTOR
	2 PLACES	± 0.13	± .01	CHECKED BY	DATE			
	1 PLACE	± 0.25	± ---	J. MACNEIL	2007/05/17			
	ANGULAR ±1/2°		APPROVED BY	DATE	MOLEX INCORPORATED			
	DRAFT WHERE APPLICABLE MUST REMAIN WITHIN DIMENSIONS		J. MACNEIL	2007/05/17	MATERIAL NO.	DOCUMENT NO.	SHEET NO.	
			SEE CHART			SD-84586-009	1 OF 1	
			THIS DRAWING CONTAINS INFORMATION THAT IS PROPRIETARY TO MOLEX INCORPORATED AND SHOULD NOT BE USED WITHOUT WRITTEN PERMISSION					