



Chipsmall Limited consists of a professional team with an average of over 10 year of expertise in the distribution of electronic components. Based in Hongkong, we have already established firm and mutual-benefit business relationships with customers from,Europe,America and south Asia,supplying obsolete and hard-to-find components to meet their specific needs.

With the principle of “Quality Parts,Customers Priority,Honest Operation,and Considerate Service”,our business mainly focus on the distribution of electronic components. Line cards we deal with include Microchip,ALPS,ROHM,Xilinx,Pulse,ON,Everlight and Freescale. Main products comprise IC,Modules,Potentiometer,IC Socket,Relay,Connector.Our parts cover such applications as commercial,industrial, and automotives areas.

We are looking forward to setting up business relationship with you and hope to provide you with the best service and solution. Let us make a better world for our industry!



Contact us

Tel: +86-755-8981 8866 Fax: +86-755-8427 6832

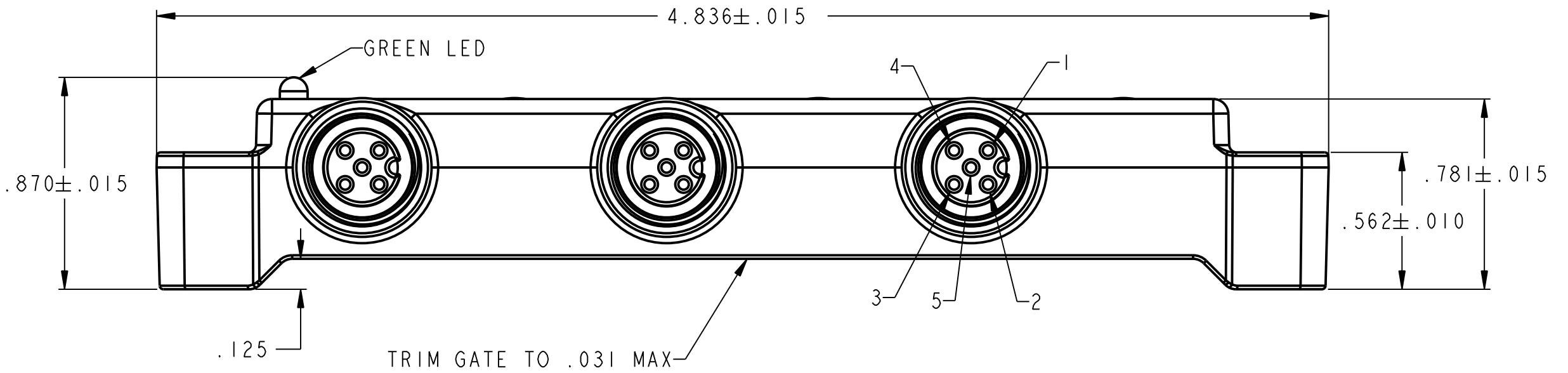
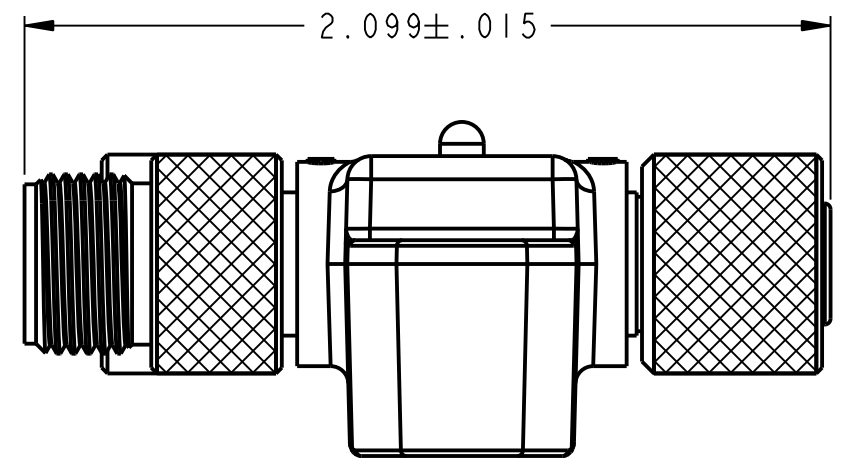
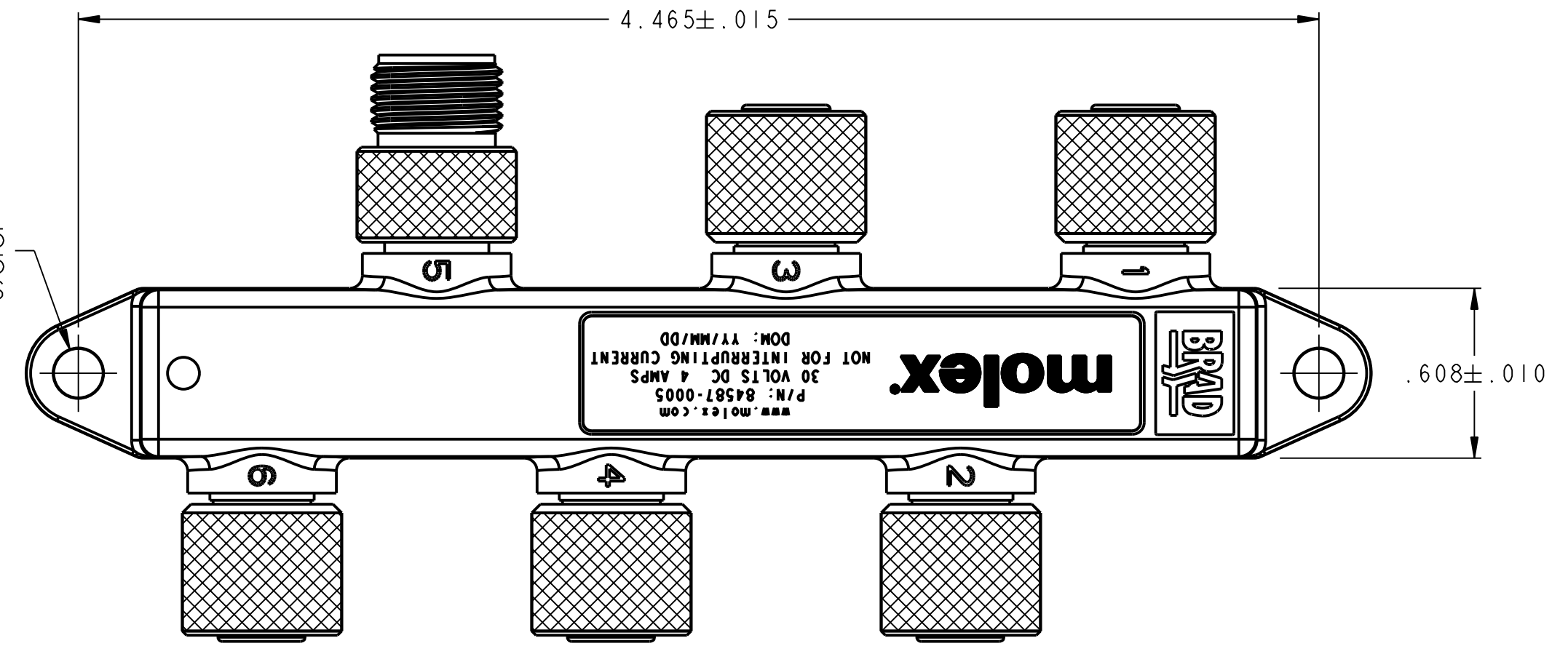
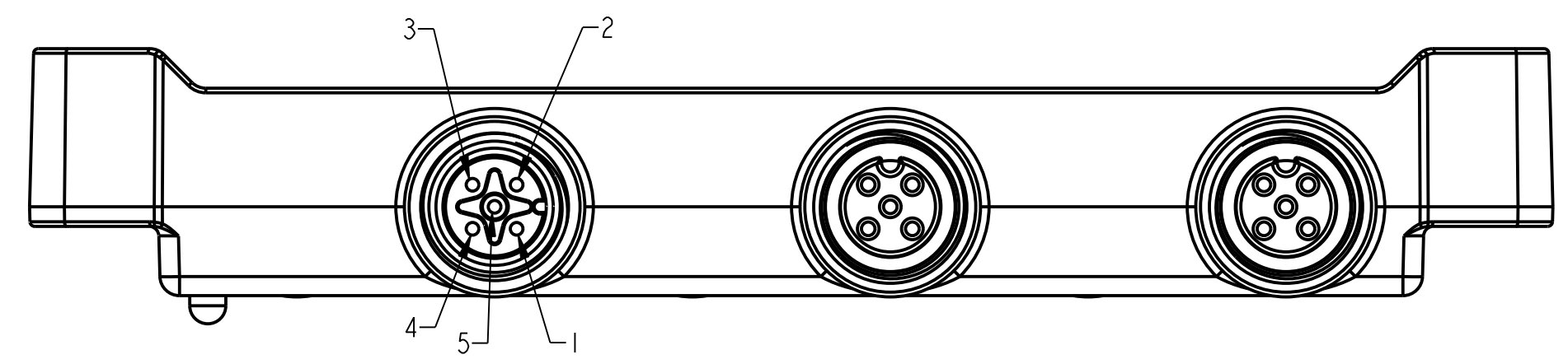
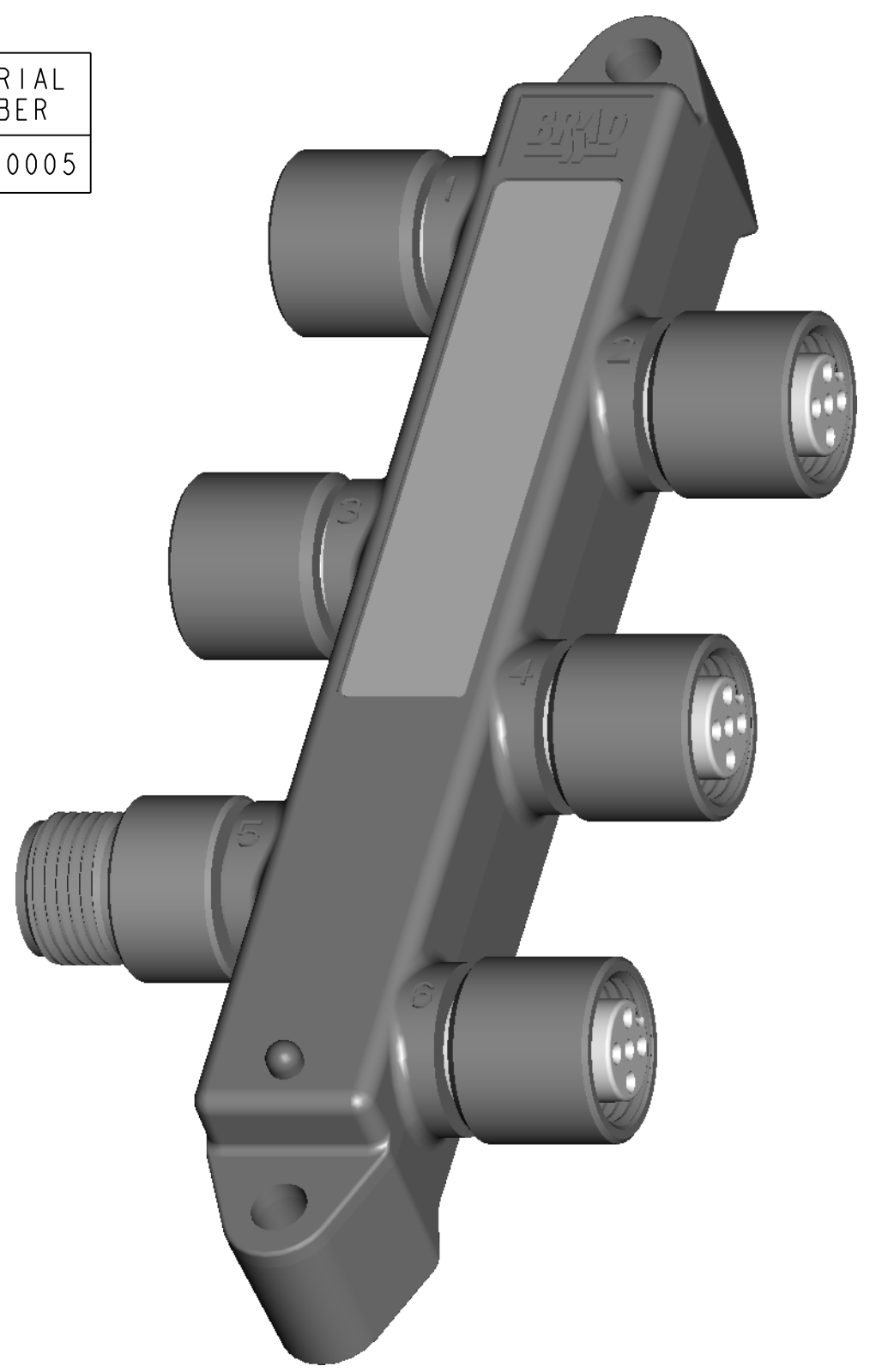
Email & Skype: info@chipsmall.com Web: www.chipsmall.com

Address: A1208, Overseas Decoration Building, #122 Zhenhua RD., Futian, Shenzhen, China



REV	ECN	BY	CKD	DATE	DESCRIPTION
A	IPG2012-0539	KJ	BW	5/22/12	INITIAL RELEASE

ENGINEERING NUMBER	MATERIAL NUMBER
84587-0005	845870005



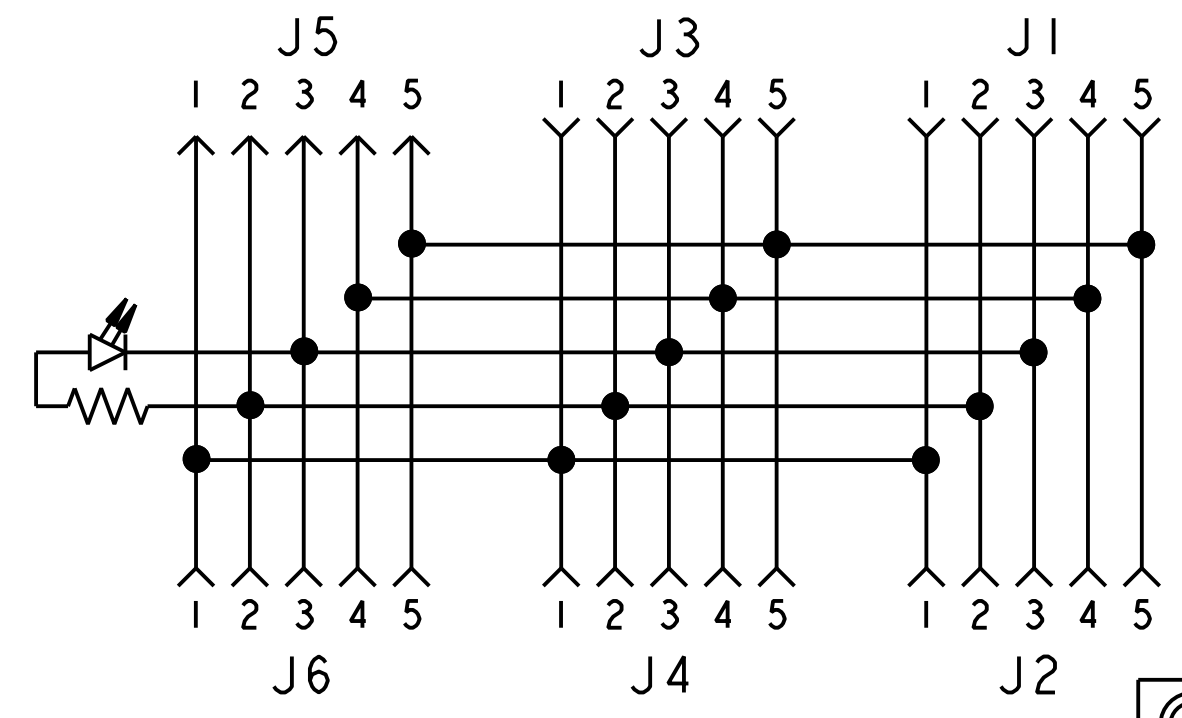
NOTES:

MATERIALS
 COUPLING NUT - BRASS ALLOY WITH NICKEL PLATING
 INSERT - NYLON
 OVERMOLD - MINERAL FILLED PVC

ELECTRICAL
 VOLTAGE MAX - 30V DC
 CURRENT MAX - 4 AMPS

ENVIRONMENTAL
 CABLE PULL FORCE (AXIAL AND SIDE LOAD) - 30LBS FOR 1 MINUTE
 PROTECTION - IP67 WHEN MATING CONNECTOR IS INSTALLED
 VIBRATION - EIA-364-28, TEST CONDITION V (10-2000 Hz), TEST CONDITION LETTER F (0.3 g SQUARED/Hz), FOR 8 HOURS IN EACH AXIS
 SALT FOG PER EIA-364-26, TEST CONDITION C (500 HOURS)
 AMBIENT OPERATING TEMPERATURE - -20°C TO 80°C

ASSEMBLE 3 CLOSURE CAPS TO PORTS 1 THRU 3



PIN #	WIRE COLOR	NMEA DESIGNATION	DEVICENET DESIGNATION
1	SHIELD	SHIELD	DRAIN
2	RED	NET-S	V+
3	BLACK	NET-C	V-
4	WHITE	NET-H	CAN_H
5	BLUE	NET-L	CAN_L

DRAWN BY: KJ	DATE: 5/18/12	MOLEX INCORPORATED
CHECKED BY: BW	DATE: 5/18/12	
MATERIAL:	TITLE:	MIC 6 PORT MPIS 5P DC SIDEMOUNT WITH POWER LED
FINISH:		
UNLESS OTHERWISE SPECIFIED TOLERANCES ARE: .X = ± .020 .XX = ± .010 .XXX = ± .005 FRACTIONAL = ± 1/64 ANGULAR = ± 1/2°		SCALE: 2:1
THIS DRAWING CONTAINS INFORMATION THAT IS PROPRIETARY TO MOLEX INCORPORATED AND SHOULD NOT BE USED WITHOUT WRITTEN PERMISSION		REV: A