



Chipsmall Limited consists of a professional team with an average of over 10 year of expertise in the distribution of electronic components. Based in Hongkong, we have already established firm and mutual-benefit business relationships with customers from,Europe,America and south Asia,supplying obsolete and hard-to-find components to meet their specific needs.

With the principle of “Quality Parts,Customers Priority,Honest Operation,and Considerate Service”,our business mainly focus on the distribution of electronic components. Line cards we deal with include Microchip,ALPS,ROHM,Xilinx,Pulse,ON,Everlight and Freescale. Main products comprise IC,Modules,Potentiometer,IC Socket,Relay,Connector.Our parts cover such applications as commercial,industrial, and automotives areas.

We are looking forward to setting up business relationship with you and hope to provide you with the best service and solution. Let us make a better world for our industry!



Contact us

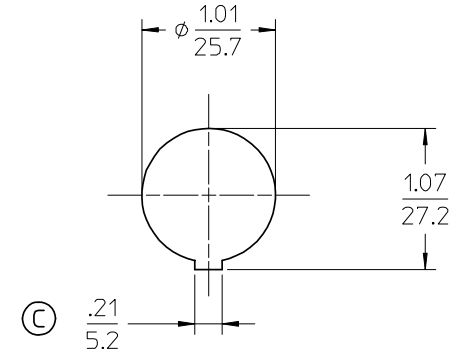
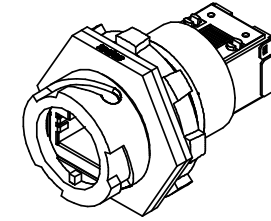
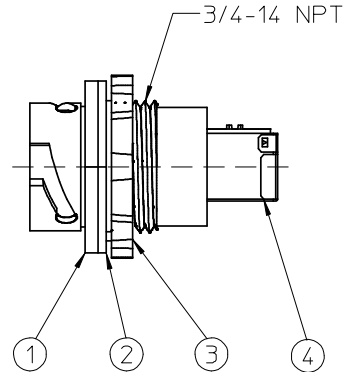
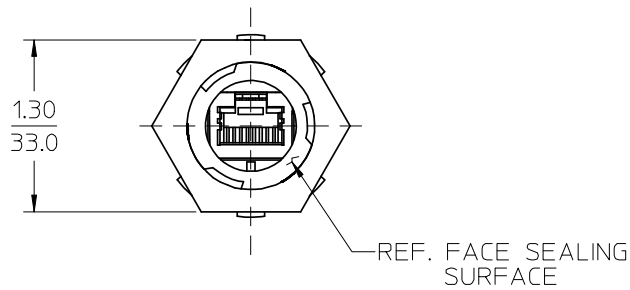
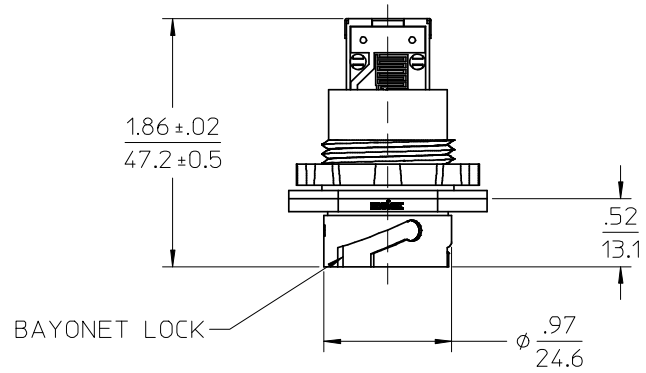
Tel: +86-755-8981 8866 Fax: +86-755-8427 6832

Email & Skype: info@chipsmall.com Web: www.chipsmall.com

Address: A1208, Overseas Decoration Building, #122 Zhenhua RD., Futian, Shenzhen, China



- Ⓒ NOTES:
 1. MATERIAL: SEE TABLE
 2. FINISHES: SEE TABLE
 3. PRODUCT SPECIFICATION: PPS.84.003
 4. PCB ASSEMBLY PUSHOUT : 20 LBS. MIN.
 5. COMPONENTS ARE RoHS COMPLIANT OR COMPLIANT BY EXCEPTION



REF. PANEL MOUNT THRU HOLE

ITEM	QTY.	DESCRIPTION	MATERIAL	FINISH
4	1	PCB, RJ-45, DUAL RECEPTACLE	PCB,MOD,JACK	
3	1	LOCK-NUT	STEEL	ZINC PLATED
2	1	PANEL GASKET	NEOPRENE	BLACK
1	1	RECEPTACLE HOUSING	PBT	BLACK

REV'D & REDRAWN
 EC NO: ETC2007-0100
 2006/10/02
 DRAWN:RSTONE
 2006/10/02
 CHK'D:J MACNEIL
 2006/10/02
 APPR:JMACNEIL
 2006/10/02

QUALITY SYMBOLS
 ▽=0
 ▽=0

GENERAL TOLERANCES (UNLESS SPECIFIED)

	mm	INCH
4 PLACES	±---	±---
3 PLACES	±---	±---
2 PLACES	±---	±.01
1 PLACE	±0.25	±---
ANGULAR ±1/2°		

DRAFT WHERE APPLICABLE
 MUST REMAIN WITHIN DIMENSIONS

DIMENSION STYLE
 IN/MM

DRAWN BY
 R. STONE

DATE
 2002/05/14

CHECKED BY
 S. GILBERT

DATE
 2002/11/11

APPROVED BY
 P. WALTZ

DATE
 2002/11/12

SCALE
 1:1

DESIGN UNITS
 INCH

THIRD ANGLE PROJECTION

TITLE
 RECEPTACLE, RJ-45
 PCB, PANEL MOUNT
 INDUSTRIAL ETHERNET

MATERIAL NO.
 847000001

DOCUMENT NO.
 SD-84700-007

SHEET NO.
 1 OF 1

THIS DRAWING CONTAINS INFORMATION THAT IS PROPRIETARY TO MOLEX INCORPORATED AND SHOULD NOT BE USED WITHOUT WRITTEN PERMISSION