



Chipsmall Limited consists of a professional team with an average of over 10 year of expertise in the distribution of electronic components. Based in Hongkong, we have already established firm and mutual-benefit business relationships with customers from,Europe,America and south Asia,supplying obsolete and hard-to-find components to meet their specific needs.

With the principle of "Quality Parts,Customers Priority,Honest Operation,and Considerate Service",our business mainly focus on the distribution of electronic components. Line cards we deal with include Microchip,ALPS,ROHM,Xilinx,Pulse,ON,Everlight and Freescale. Main products comprise IC,Modules,Potentiometer,IC Socket,Relay,Connector.Our parts cover such applications as commercial,industrial, and automotives areas.

We are looking forward to setting up business relationship with you and hope to provide you with the best service and solution. Let us make a better world for our industry!



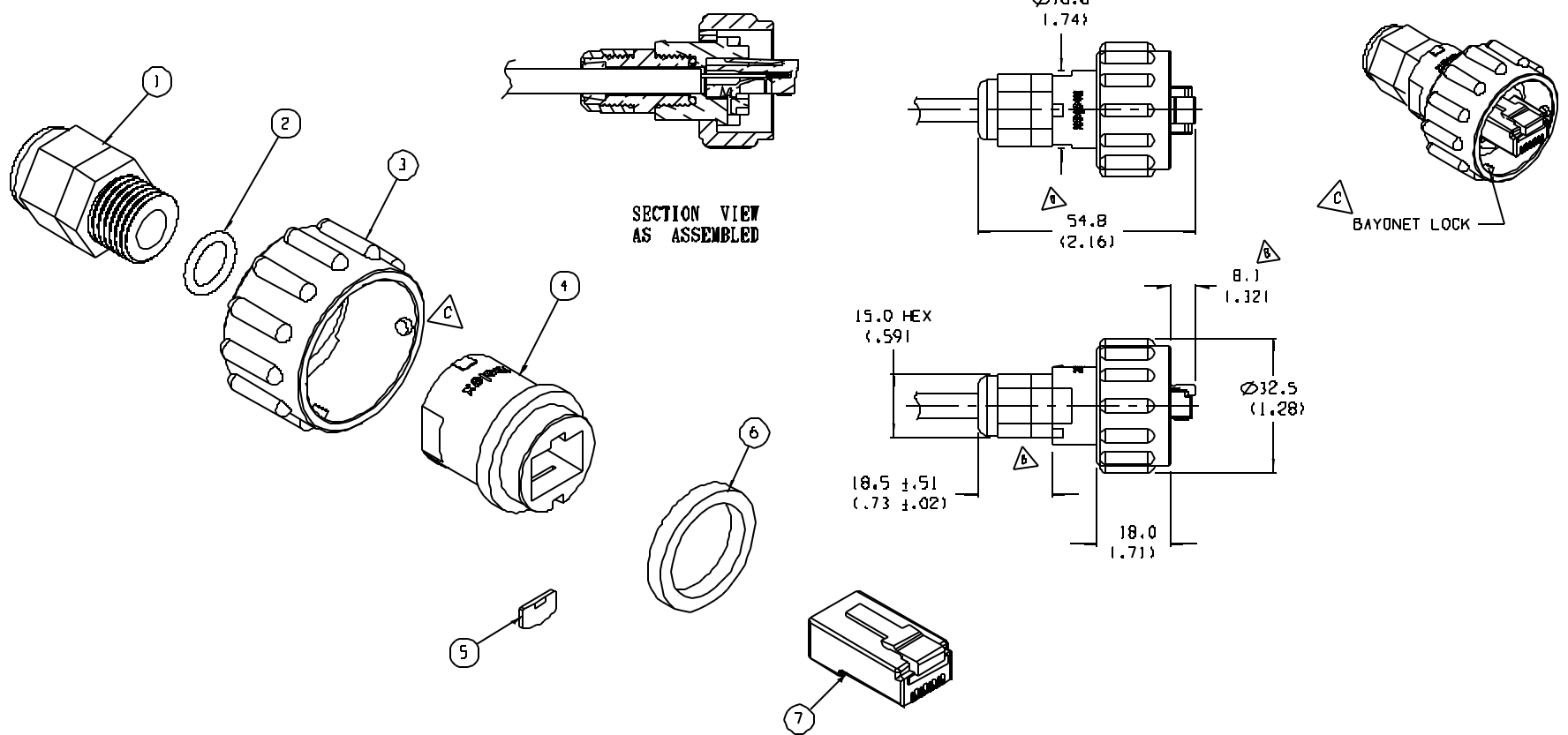
## Contact us

Tel: +86-755-8981 8866 Fax: +86-755-8427 6832

Email & Skype: info@chipsmall.com Web: www.chipsmall.com

Address: A1208, Overseas Decoration Building, #122 Zhenhua RD., Futian, Shenzhen, China





ITEM	QTY.	DESCRIPTION	MATERIAL	FINISH
7	1	RJ-45 PLUG, LONG BODY, SHIELDED		
6	1	GASKET SEAL	NITRILE	
5	1	RETAINER WEDGE	POLYESTER	BLACK
4	1	PLUG HOLDER	POLYESTER	BLACK
3	1	COUPLING RING	POLYESTER	BLACK
2	1	O-RINGS	NITRILE	
1	1	CABLE SEAL ASSY.	PA, TPE GLAND	BLACK

EC NO: 11470 DRWN: RK 12-11-03 CHK: APPR:	QUALITY SYMBOLS MAJOR CRITICAL SPC S	GENERAL TOLERANCES: (UNLESS SPECIFIED) 1 PLACES ±.0015 2 PLACES ±.005 3 PLACES ±.01 4 PLACES ±.015 5 PLACES ±.03 ANGLE: ±2°	SCALE: 1.5:1 DESIGN UNITS: <input type="checkbox"/> MM <input checked="" type="checkbox"/> INCH	THIRD ANGLE PROJECTION <input checked="" type="checkbox"/> THIRD ANGLE PROJECTION <input type="checkbox"/> FIRST ANGLE PROJECTION	PROJECT NO. E-620 DIMENSIONS: <input checked="" type="checkbox"/> DIM INCH <input type="checkbox"/> DIM MM <input type="checkbox"/> DIM ONLY	SHEET NO. 1 OF 1 REVISE ON CAD ONLY
			DRAWN BY & DATE: R. STONE 5-14-02 CHECKED BY & DATE: S. GILBERT 5-14-02 APPROVED BY & DATE: G. ROBERTSON 5-14-02	TITLE: PLUG, RJ45, FIELD WIRED C1C INDUSTRIAL ETHERNET		MOLEX INCORPORATED
CAD FILENAME: SD-84700-0002		MATERIAL NO.: B47000002	DRAWING NO.: SD-84700-0002	SHEET NO.: 1 OF 1	THIS DRAWING CONTAINS INFORMATION THAT IS PROPRIETARY TO MOLEX INCORPORATED AND SHOULD NOT BE USED WITHOUT WRITTEN PERMISSION.	