



Chipsmall Limited consists of a professional team with an average of over 10 year of expertise in the distribution of electronic components. Based in Hongkong, we have already established firm and mutual-benefit business relationships with customers from,Europe,America and south Asia,supplying obsolete and hard-to-find components to meet their specific needs.

With the principle of “Quality Parts,Customers Priority,Honest Operation,and Considerate Service”,our business mainly focus on the distribution of electronic components. Line cards we deal with include Microchip,ALPS,ROHM,Xilinx,Pulse,ON,Everlight and Freescale. Main products comprise IC,Modules,Potentiometer,IC Socket,Relay,Connector.Our parts cover such applications as commercial,industrial, and automotives areas.

We are looking forward to setting up business relationship with you and hope to provide you with the best service and solution. Let us make a better world for our industry!



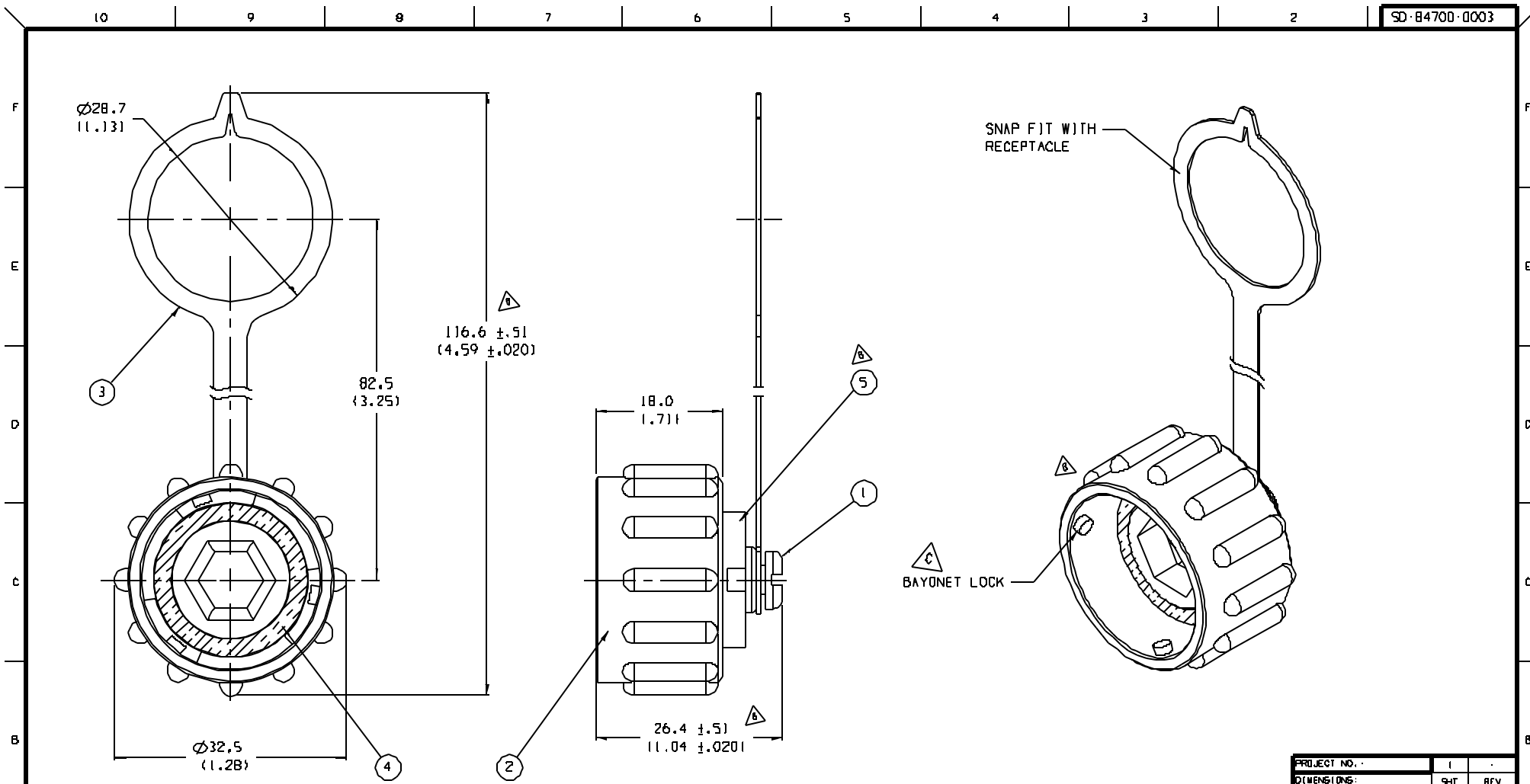
Contact us

Tel: +86-755-8981 8866 Fax: +86-755-8427 6832

Email & Skype: info@chipsmall.com Web: www.chipsmall.com

Address: A1208, Overseas Decoration Building, #122 Zhenhua RD., Futian, Shenzhen, China





| ITEM | QTY. | DESCRIPTION | MATERIAL | FINISH |
|------|------|----------------------|------------------|---------------|
| 5 | 1 | DUST COVER | POLYESTER | BLACK |
| 4 | 1 | GASKET SEAL | NITRILE | |
| 3 | 1 | TETHER | IFR1-PP OR HD-PE | BLACK |
| 2 | 1 | COUPLING RING | POLYESTER | BLACK |
| 1 | 1 | SCREW, 8-32, SLOTTED | BRASS | NICKEL PLATED |

EC NO. 11470
 DRWN: RK (12-11)-03
 CHK: APPR:

QUALITY SYMBOLS
 MAJOR
 CRITICAL
 SPC

| GENERAL TOLERANCES (UNLESS SPECIFIED) | |
|---------------------------------------|-----------|
| PLACES | TOLERANCE |
| 4 PLACES | ±.0015 |
| 3 PLACES | ±.008 |
| 2 PLACES | ±.1 |
| 1 PLACE | ±.3 |
| ANGULAR: ±2° | |

SCALE 2:1
 DESIGN UNITS: mm INCH
 THIRD ANGLE PROJECTION
 DRAWN BY & DATE: R. STONE 5-14-02
 CHECKED BY & DATE: S. BILLBERT 5-14-02
 APPROVED BY & DATE: G. ROBERTSON 5-14-02
 CAD FILENAME: SD-B4700-0003

TITLE: DUST COVER, RJ-45
 CXC INDUSTRIAL ETHERNET
 MOLEX INCORPORATED
 MATERIAL NO. B47000003
 DRAWING NO. SD-B4700-0003
 SHEET NO. 1 OF 1
 PROJECT NO. SD-B4700-0003
 DIMENSIONS: DIM INCH DIM MM DIM ONLY
 THIS DRAWING CONTAINS INFORMATION THAT IS PROPRIETARY TO MOLEX INCORPORATED AND SHOULD NOT BE USED WITHOUT WRITTEN PERMISSION.