



Chipsmall Limited consists of a professional team with an average of over 10 year of expertise in the distribution of electronic components. Based in Hongkong, we have already established firm and mutual-benefit business relationships with customers from,Europe,America and south Asia,supplying obsolete and hard-to-find components to meet their specific needs.

With the principle of "Quality Parts,Customers Priority,Honest Operation,and Considerate Service",our business mainly focus on the distribution of electronic components. Line cards we deal with include Microchip,ALPS,ROHM,Xilinx,Pulse,ON,Everlight and Freescale. Main products comprise IC,Modules,Potentiometer,IC Socket,Relay,Connector.Our parts cover such applications as commercial,industrial, and automotives areas.

We are looking forward to setting up business relationship with you and hope to provide you with the best service and solution. Let us make a better world for our industry!



Contact us

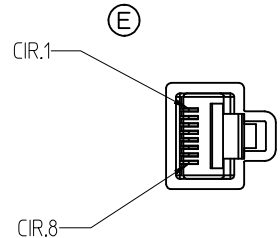
Tel: +86-755-8981 8866 Fax: +86-755-8427 6832

Email & Skype: info@chipsmall.com Web: www.chipsmall.com

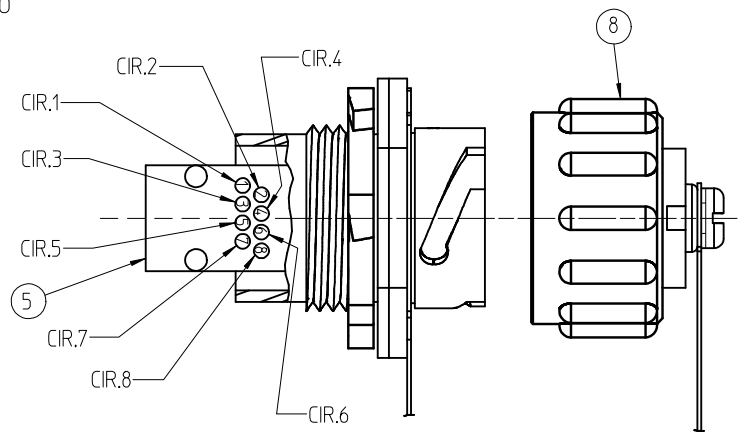
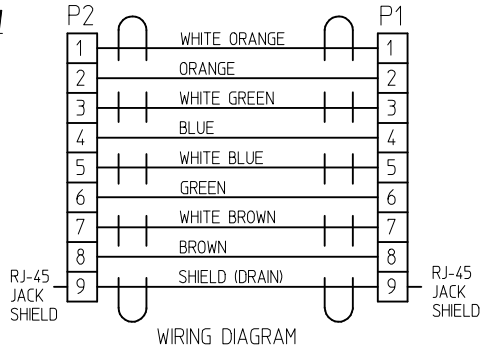
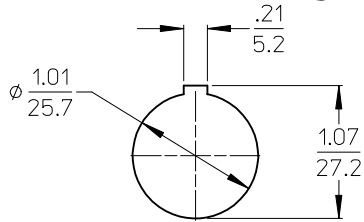
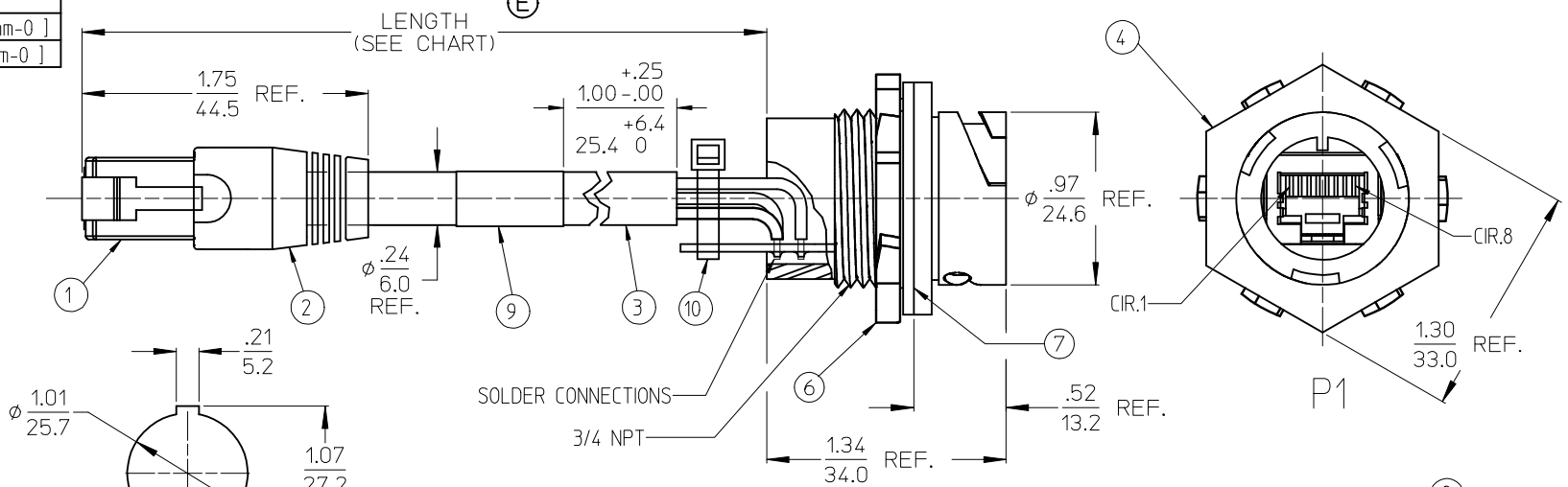
Address: A1208, Overseas Decoration Building, #122 Zhenhua RD., Futian, Shenzhen, China



PART NUMBER	CABLE LENGTH
847000005	12.00 +.75-0 [305mm +19mm-0]
847000006	4.00* +.75-0 [102mm +19mm-0]



P2



- NOTES:
1. MATERIAL: SEE TABLE
 2. PRODUCT SPECIFICATIONS: PPS.84.003
 4. PACKAGING: ASSEMBLIES ARE TO BE PACKED IN CLEAN POLY BAG
 5. MATES WITH: RJ-45 CUSTOMER SPECIFIC PART
 6. MARKING: PART NUMBER, MANUFACTURER AND DATE CODE (E)
VOLTAGE: 125V, CURRENT: 1.5A
 7. SHIELDS ARE TERMINATED TO METAL CONNECTOR SHELL
 8. CABLE IS MANUFACTURED WITH UL AND CSA COMPLIANT PARTS
 9. PCB ASSEMBLY PUSHOUT: 20 LBS. MIN
 10. ASSEMBLY IS MADE FROM RoHS COMPLIANT PARTS

ITEM	QTY.	DESCRIPTION	MATERIAL	FINISH
10	1	CABLE TIE	NYLON	WHITE
9	1	LABEL	MYLAR	BLACK/CHROME
8	1	DUST COVER & TETHER	POLYESTER	BLACK
7	1	PANEL GASKET	NEOPRENE	BLACK
6	1	PANEL LOCKNUT	STEEL	ZINC PLATED
5	1	PCB ASSEMBLY	PURCHASED ASSY.	VENDOR SPEC.
4	1	RECEPTACLE MOLDED	POLYESTER	BLACK
3	1	CABLE, CAT 5E, 24 AWG	PVC JACKET	GRAY
2	1	SLIDING SLEEVE	POLYOLEFIN	BLACK
1	1	RJ-45 PLUG SHIELDED	PURCHASED ASSY.	VENDOR SPEC.

REVD TO LATEST MFG STD. EC NO: IPG2016-1366 DRW:RSTONE 2016/04/08 CHK:HZ/EL/INSKI 2016/05/04 APPR:BMOODMAN 2016/05/31	QUALITY SYMBOLS ▽=0 ▽=0	GENERAL TOLERANCES (UNLESS SPECIFIED) 4 PLACES ± --- ± --- 3 PLACES ± --- ± --- 2 PLACES ± --- ± .01 1 PLACE ± 0.25 ± --- ANGULAR ± 1/2°	DIMENSION STYLE IN/MM	SCALE INCH	DESIGN UNITS INCH	THIRD ANGLE PROJECTION
		DRAWN BY R. STONE	DATE 2003/11/26	TITLE DBL. ENDED FEMALE RJ-45 BULKHEAD, 8/C, CAT 5E MALE PLUG, SLIDING SLEEVE		
		CHECKED BY R. KEMP	DATE 2003/12/29	MOLEX INCORPORATED		
		APPROVED BY P. WALTZ	DATE 2003/12/29	MATERIAL NO. SEE CHART	DOCUMENT NO. SD-84700-004	SHEET NO. 1 OF 1

DRAFT WHERE APPLICABLE MUST REMAIN WITHIN DIMENSIONS

THIS DRAWING CONTAINS INFORMATION THAT IS PROPRIETARY TO MOLEX INCORPORATED AND SHOULD NOT BE USED WITHOUT WRITTEN PERMISSION