



Chipsmall Limited consists of a professional team with an average of over 10 year of expertise in the distribution of electronic components. Based in Hongkong, we have already established firm and mutual-benefit business relationships with customers from,Europe,America and south Asia,supplying obsolete and hard-to-find components to meet their specific needs.

With the principle of “Quality Parts,Customers Priority,Honest Operation,and Considerate Service”,our business mainly focus on the distribution of electronic components. Line cards we deal with include Microchip,ALPS,ROHM,Xilinx,Pulse,ON,Everlight and Freescale. Main products comprise IC,Modules,Potentiometer,IC Socket,Relay,Connector.Our parts cover such applications as commercial,industrial, and automotives areas.

We are looking forward to setting up business relationship with you and hope to provide you with the best service and solution. Let us make a better world for our industry!



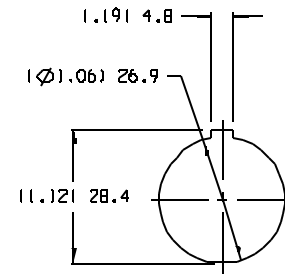
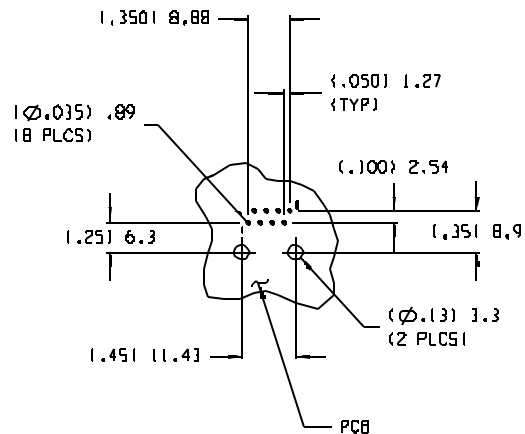
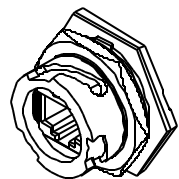
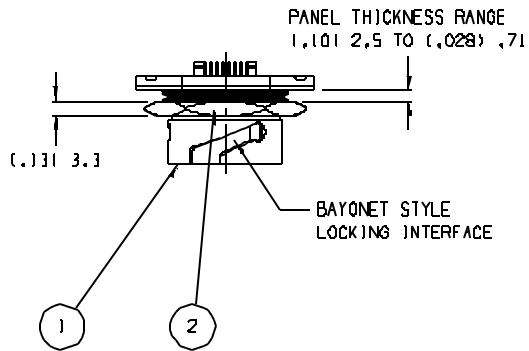
## Contact us

Tel: +86-755-8981 8866 Fax: +86-755-8427 6832

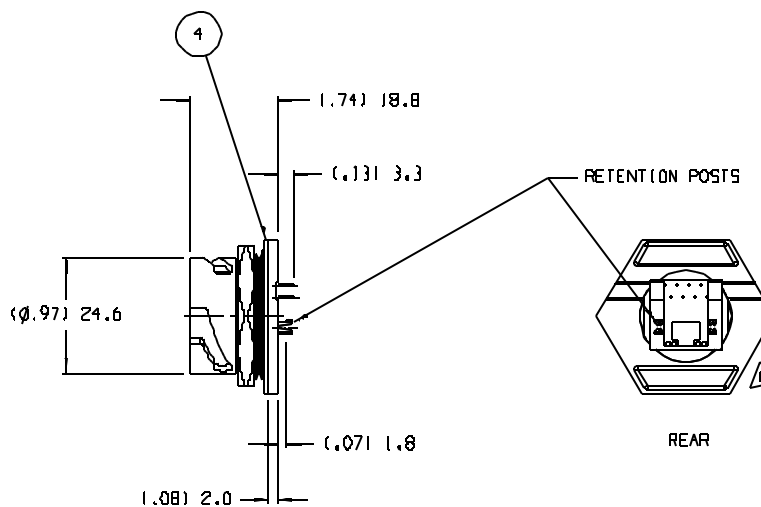
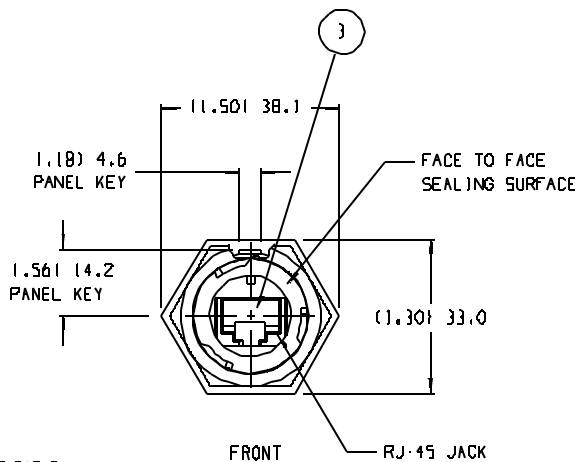
Email & Skype: info@chipsmall.com Web: www.chipsmall.com

Address: A1208, Overseas Decoration Building, #122 Zhenhua RD., Futian, Shenzhen, China





KNOCK OUT SIZE



NOTES:

1. MATERIAL: SEE TABLE
2. FINISHES: SEE TABLE
3. PRODUCT SPECIFICATION: SEE SPECS.
4. PACKAGING: AS REQUIRED
5. MATES WITH: IE (INDUSTRY STANDARD)
6. FORMERLY SD-84702-0005.

ITEM	QTY.	DESCRIPTION	MATERIAL	FINISH
4	1	PANEL GASKET	NEOPRENE	BLACK
3	1	RJ-45 JACK W/PCB MTG	POLYESTER	BLACK
2	1	LOCK NUT	POLYESTER	BLACK
1	1	RECEPTACLE HOUSING	POLYESTER	BLACK

11-17-03 EC NO. RE-RELEASE DRWN: S. GILBERT CHK: APPR:	DESCRIPTION MAJOR CRITICAL SPC S	GENERAL TOLERANCES (UNLESS SPECIFIED) .125 .0015 .038 ±.005 .1 ±.01 .3 ±.3 ANGULAR: ±2°		SCALE: FULL DESIGN UNITS: <input type="checkbox"/> MM <input checked="" type="checkbox"/> INCH	THIRD ANGLE PROJECTION	PROJECT NO. PRR 03-40 DIMENSIONS: <input checked="" type="checkbox"/> DIM (INCH) <input type="checkbox"/> DIM (MM) <input type="checkbox"/> DIM ONLY SHEET REV 1 OF 1
		DRAWN BY & DATE S. GILBERT 07-29-03		CHECKED BY & DATE		TITLE: RECEPTACLE, RJ-45, PCB MOUNT, C/C INDUSTRIAL ETHERNET
		APPROVED BY & DATE		CAD FILENAME SD-84702-008		
		DRAFT WHERE APPLICABLE MUST REMAIN WITHIN DIMENSIONS		ANGLE: ±2°		MATERIAL NO. 847020005

THIS DRAWING CONTAINS INFORMATION THAT IS PROPRIETARY TO MOLEX INCORPORATED AND SHOULD NOT BE USED WITHOUT WRITTEN PERMISSION.

MOLEX INCORPORATED

SIZE B