



Chipsmall Limited consists of a professional team with an average of over 10 year of expertise in the distribution of electronic components. Based in Hongkong, we have already established firm and mutual-benefit business relationships with customers from,Europe,America and south Asia,supplying obsolete and hard-to-find components to meet their specific needs.

With the principle of “Quality Parts,Customers Priority,Honest Operation,and Considerate Service”,our business mainly focus on the distribution of electronic components. Line cards we deal with include Microchip,ALPS,ROHM,Xilinx,Pulse,ON,Everlight and Freescale. Main products comprise IC,Modules,Potentiometer,IC Socket,Relay,Connector.Our parts cover such applications as commercial,industrial, and automotives areas.

We are looking forward to setting up business relationship with you and hope to provide you with the best service and solution. Let us make a better world for our industry!



## Contact us

Tel: +86-755-8981 8866 Fax: +86-755-8427 6832

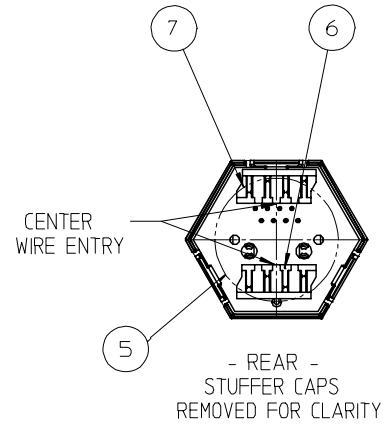
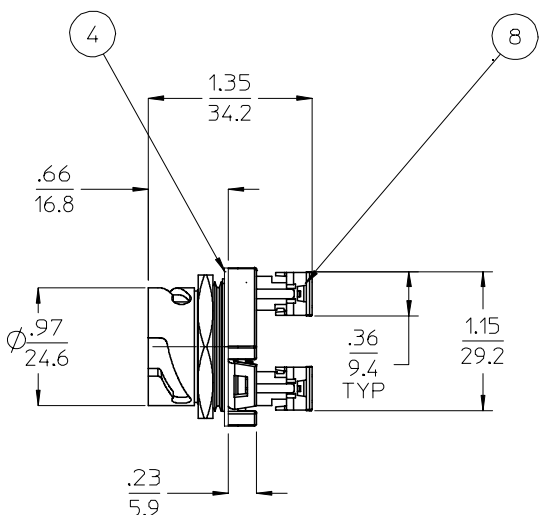
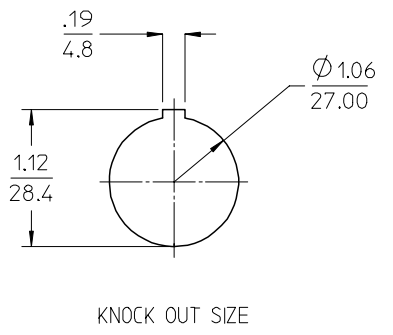
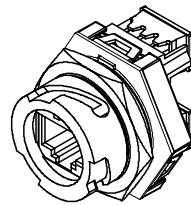
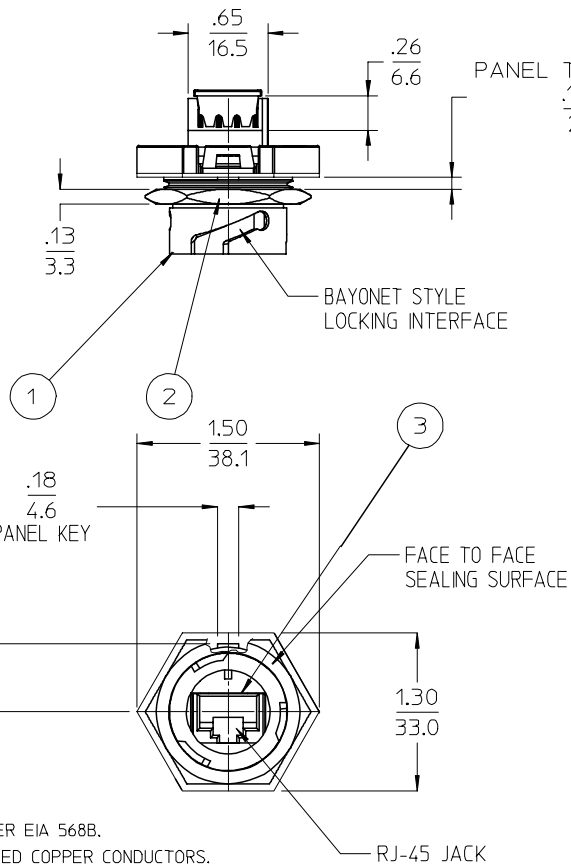
Email & Skype: info@chipsmall.com Web: www.chipsmall.com

Address: A1208, Overseas Decoration Building, #122 Zhenhua RD., Futian, Shenzhen, China



10 9 8 7 6 5 4 3 2 1

F  
E  
D  
C  
B  
A



- NOTES:
1. MATERIAL: SEE TABLE
  2. FINISHES: SEE TABLE
  3. PRODUCT SPECIFICATION: SEE SPECS
  4. PACKAGING: AS REQUIRED
  5. MATES WITH INDUSTRY STANDARD
  6. FORMERLY SD-84702-0006
  7. WIRING POLARIZATION & SEQUENCE PER EIA 568B.
  8. COMPATIBLE WITH SOLID AND STRANDED COPPER CONDUCTORS.
  9. CONDUCTOR RANGES ARE 22-26AWG WITH A MAX OF 7 STRANDS PER CONDUCTOR BUNDLE. LIMITING O.D. IS 0.55"
  10. CAN BE RETERMINATED UP TO 200 TIMES.

|      |      |                            |               |        |
|------|------|----------------------------|---------------|--------|
| 8    | 2    | STUFFER CAP (MPN #201-345) | THERMOPLASTIC | WHITE  |
| 7    | 1    | PUNCHDOWN BLOCK            | THERMOPLASTIC | WHITE  |
| 6    | 1    | PUNCHDOWN BLOCK            | THERMOPLASTIC | WHITE  |
| 5    | 1    | PCB                        | FR-4          | GREEN  |
| 4    | 1    | PANEL GASKET               | NEOPRENE      | BLACK  |
| 3    | 1    | RJ-45 JACK W/PCB MTG       | POLYESTER     | BLACK  |
| 2    | 1    | LOCK NUT                   | POLYESTER     | BLACK  |
| 1    | 1    | RECEPTACLE HOUSING         | POYESTER      | BLACK  |
| ITEM | QTY. | DESCRIPTION                | MATERIAL      | FINISH |

ADDED NOTES 8.9.10  
 EC NO: ETC2006-0133  
 TDRWNSBRADLEY 2005/12/17  
 CHKDRSTONE 2005/12/13  
 APPR:RDEROSS 2005/12/16

QUALITY SYMBOLS  
 ▽=0  
 ▽=0

GENERAL TOLERANCES (UNLESS SPECIFIED)

|          | mm     | INCH    |
|----------|--------|---------|
| 4 PLACES | ± .005 | ± .0005 |
| 3 PLACES | ± .01  | ± .001  |
| 2 PLACES | ± 0.13 | ± .01   |
| 1 PLACE  | ± 0.13 | ± .005  |

ANGULAR ± 2 °

DRAFT WHERE APPLICABLE MUST REMAIN WITHIN DIMENSIONS

DIMENSION STYLE IN/MM

DRAWN BY S. GILBERT DATE 03/07/30

CHECKED BY R. KEMP DATE 03/08/04

APPROVED BY GHR DATE 03/08/04

MATERIAL NO. 847020006

SCALE 4:1

DESIGN UNITS INCH

THIRD ANGLE PROJECTION

PANEL MTG. RECEPTACLE  
 RJ-45 PUNCHDOWN CIC  
 INDUSTRIAL ETHERNET

MOLEX INCORPORATED

DOCUMENT NO. SD-84702-004

SHEET NO. 1 OF 1

THIS DRAWING CONTAINS INFORMATION THAT IS PROPRIETARY TO MOLEX INCORPORATED AND SHOULD NOT BE USED WITHOUT WRITTEN PERMISSION

9 8 7 6 5 4 3 2 1