



Chipsmall Limited consists of a professional team with an average of over 10 year of expertise in the distribution of electronic components. Based in Hongkong, we have already established firm and mutual-benefit business relationships with customers from,Europe,America and south Asia,supplying obsolete and hard-to-find components to meet their specific needs.

With the principle of “Quality Parts,Customers Priority,Honest Operation,and Considerate Service”,our business mainly focus on the distribution of electronic components. Line cards we deal with include Microchip,ALPS,ROHM,Xilinx,Pulse,ON,Everlight and Freescale. Main products comprise IC,Modules,Potentiometer,IC Socket,Relay,Connector.Our parts cover such applications as commercial,industrial, and automotives areas.

We are looking forward to setting up business relationship with you and hope to provide you with the best service and solution. Let us make a better world for our industry!



Contact us

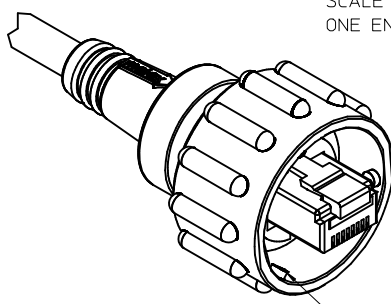
Tel: +86-755-8981 8866 Fax: +86-755-8427 6832

Email & Skype: info@chipsmall.com Web: www.chipsmall.com

Address: A1208, Overseas Decoration Building, #122 Zhenhua RD., Futian, Shenzhen, China

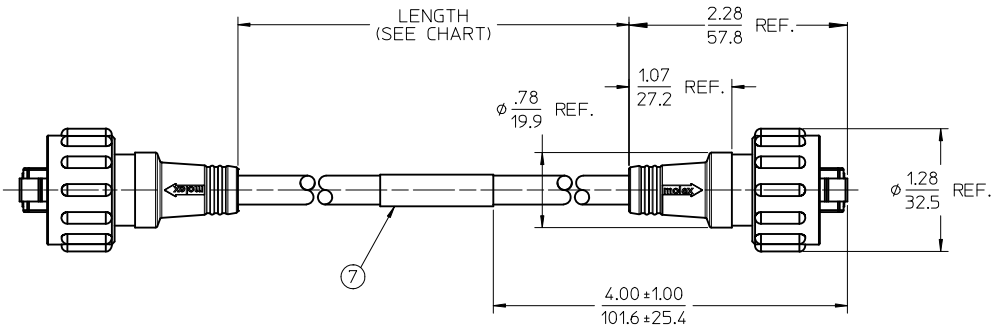


MATERIAL NO.	LENGTH	REF. OVERALL LENGTH
847021001	1'0" +1/4"-0 [.3M +6.4mm-0]	1' 4.5" [.4M]
847021003	3'0" +3/4"-0 [.9M +19mm-0]	3' 4.5" [1M]
847021006	6'0" +1 1/2"-0 [1.8M +38mm-0]	6' 4.5" [1.9M]
847021007	7'0" +1 3/4"-0 [2.1M +44mm-0]	7' 4.5" [2.2M]
847021009	9' 4.5" [2.8M]	9' 4.5" [2.8M]
847021010	10' 0" +2 1/2"-0 [3.0M +64mm-0]	10' 4.5" [3.2M]
847021012	12' 0" +3"-0 [3.7M +76mm-0]	12' 4.5" [3.8M]
847021015	15' 0" +3 3/4"-0 [4.6M +95mm-0]	15' 4.5" [4.7M]
847021016	16' 5" +4.0"-0 [5.0M +102mm-0]	16' 10" [5.1M]
847021020	20' 0" +5"-0 [6.1M +127mm-0]	20' 4.5" [6.2M]
847021021	21' 0" +5 1/4"-0 [6.4M +133mm-0]	21' 4.5" [6.5M]
847021030	30' 0" +12.5"-0 [9.1M +318mm-0]	30' 4.5" [9.3M]
847021050	50' 0" +24.5"-0 [15M +622mm-0]	50' 4.5" [15.1M]
847021100	100' 0" +24.5"-0 [30.5M +622mm-0]	100' 4.5" [30.6M]



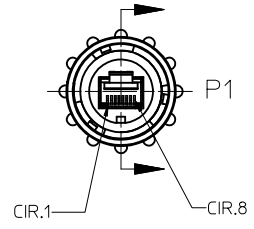
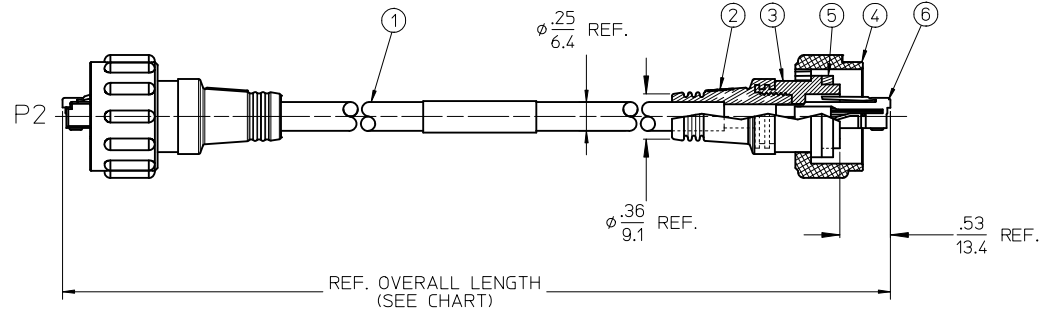
AUX. VIEW
SCALE 1.5:1
ONE END SHOWN

BAYONET LOCKING TABS



NOTES:

1. MATERIAL: SEE TABLE
2. FINISHES: SEE TABLE
3. PRODUCT SPECIFICATION: PPS.84.006
4. MATES WITH BAYONET STYLE RJ-45 JACK ASSEMBLIES
5. CABLE IS UL RATED TYPE MPR/CMR
6. COUPLING RING AND HOLDER MEET UL 746C/UV
7. ASSEMBLY IS RoHS COMPLIANT



P2		P1
1	WHITE-ORANGE	1
2	ORANGE	2
3	WHITE-GREEN	3
4	BLUE	4
5	WHITE-BLUE	5
6	GREEN	6
7	WHITE-BROWN	7
8	BROWN	8
9	DRAIN	9

RJ-45 PLUG RJ-45 PLUG

7	1	WRAP LABEL	PLASTIC FILM	BLACK/YELLOW
6	2	RJ-45 PLUG, SHIELDED	PER VENDOR SPEC.	GOLD PL. CONTACTS
5	2	GASKET SEAL	NITRILE	BLACK
4	2	RJ-45 COUPLING RING	POLYESTER	BLACK
3	2	RJ-45 HOLDER	POLYESTER	BLACK
2	2	OVERMOLD BODY	PVC	BLACK
1	SEE CHART	CABLE, UTP, 4P, 24 AWG, CAT 6	PVC JACKET	GRAY
ITEM	QTY	DESCRIPTION	MATERIAL	FINISH

CABLE WAS BLACK
EC NO: MNA2012-0171
DRAWN BY: DRWINSTONE 2011/09/23
CHKD BY: CHKD.V. DU 2011/09/26
APPR: JFMURPHY 2012/01/24

QUALITY SYMBOLS	GENERAL TOLERANCES (UNLESS SPECIFIED)
▽=0	
▽=0	
	mm INCH
	4 PLACES ± --- ± ---
	3 PLACES ± --- ± ---
	2 PLACES ± --- ± .01
	1 PLACE ± 0.25 ± ---
	ANGULAR ± 1/2°

DIMENSION STYLE		SCALE	DESIGN UNITS	THIRD ANGLE PROJECTION
IN/MM		1:1	INCH	
DRAWN BY	DATE	TITLE		
SGILBERT	2003/08/18	CORD ASSEMBLY, RJ-45 MALE BAYONET DBL ENDED, INDUSTRIAL ETHERNET		
CHECKED BY	DATE	MOLEX MOLEX INCORPORATED		
PWALTZ	2003/08/18	APPROVED BY		
JFMURPHY	2009/12/15	DATE		
MATERIAL NO.		DOCUMENT NO.		SHEET NO.
SEE CHART		SD-84702-001		1 OF 1

THIS DRAWING CONTAINS INFORMATION THAT IS PROPRIETARY TO MOLEX INCORPORATED AND SHOULD NOT BE USED WITHOUT WRITTEN PERMISSION