



Chipsmall Limited consists of a professional team with an average of over 10 year of expertise in the distribution of electronic components. Based in Hongkong, we have already established firm and mutual-benefit business relationships with customers from,Europe,America and south Asia,supplying obsolete and hard-to-find components to meet their specific needs.

With the principle of “Quality Parts,Customers Priority,Honest Operation,and Considerate Service”,our business mainly focus on the distribution of electronic components. Line cards we deal with include Microchip,ALPS,ROHM,Xilinx,Pulse,ON,Everlight and Freescale. Main products comprise IC,Modules,Potentiometer,IC Socket,Relay,Connector.Our parts cover such applications as commercial,industrial, and automotives areas.

We are looking forward to setting up business relationship with you and hope to provide you with the best service and solution. Let us make a better world for our industry!



Contact us

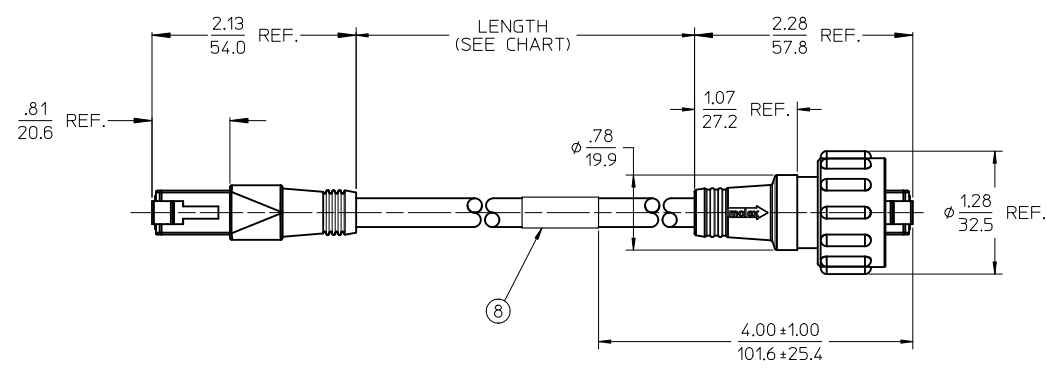
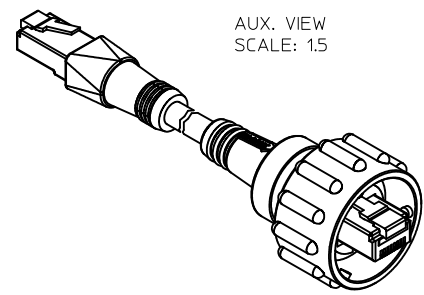
Tel: +86-755-8981 8866 Fax: +86-755-8427 6832

Email & Skype: info@chipsmall.com Web: www.chipsmall.com

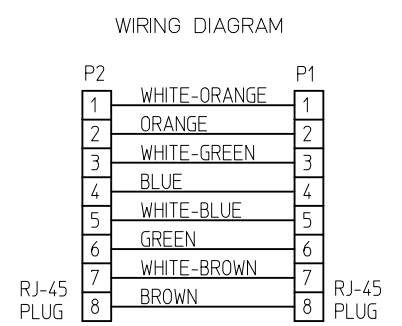
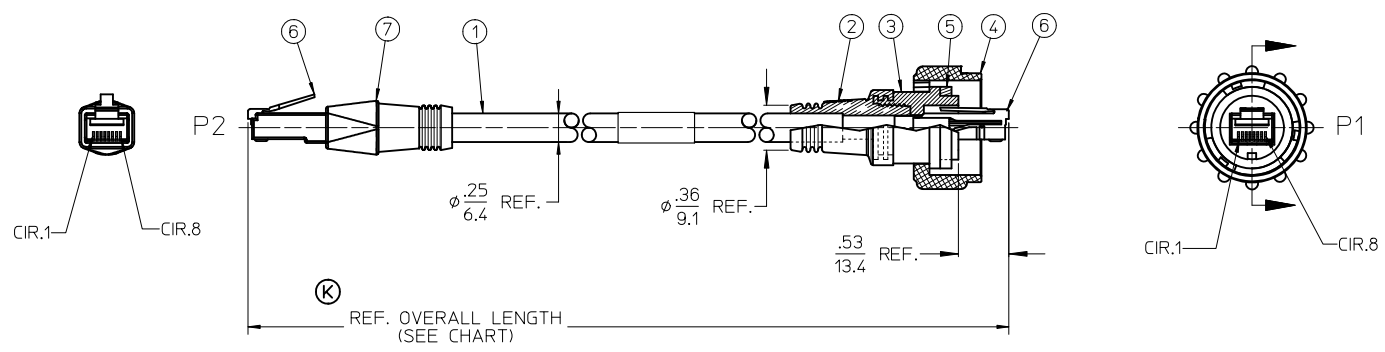
Address: A1208, Overseas Decoration Building, #122 Zhenhua RD., Futian, Shenzhen, China



MATERIAL NO.	FINISHED LENGTH	REF. OVERALL LENGTH
847022001	1'0" +1/4"-0 [.3M +6.4mm-0]	1'4" [.4M]
847022003	3'0" +3/4"-0 [.9M +19mm-0]	3'4" [1.0M]
847022006	6'0" +1 1/2"-0 [1.8M +38mm-0]	6'4" [1.9M]
847022007	7'0" +1 3/4"-0 [2.1M +44mm-0]	7'4" [2.2M]
847022009	9' 0" +2 1/2"-0 [2.74M +64mm -0]	9' 4" [2.9M]
847022010	10' 0" +2 1/2"-0 [3.0M +64mm-0]	10' 4" [3.2M]
847022012	12' 0" +3"-0 [3.7M +76mm-0]	12' 4" [3.8M]
847022015	15' 0" +3 3/4"-0 [4.6M +95mm-0]	15' 4" [4.7M]
847022020	20' 0" +5"-0 [6.1M +127mm-0]	20' 4" [6.2M]
847022021	21' 0" +5 1/4"-0 [6.4M +133mm-0]	21' 4" [6.5M]
847022030	30' 0" +7 1/2"-0 [9.1M +191MM-0]	30' 4" [9.3M]
847022050	50' 0" +12 1/2"-0 [15.2M +318MM-0]	50' 4" [15.4M]



- NOTES:
1. MATERIAL: SEE TABLE
 2. FINISHES: SEE TABLE
 3. PRODUCT SPECIFICATION: PPS.84.006
 4. MATES WITH STANDARD & BAYONET STYLE RJ-45 JACK ASSEMBLIES
 5. CABLE IS UL RATED TYPE MPR/CMR
 6. COUPLING RING AND HOLDER MEET UL 746C/UV
 7. ASSEMBLY IS RoHS COMPLIANT.



8	1	WRAP LABEL	PLASTIC FILM	BLACK/YELLOW
7	1	RJ-45 PLUG OVERMOLD	PVC	BLACK
6	2	RJ-45 PLUG, SHIELDED	PER VENDOR SPEC.	GOLD PL. CONTACTS
5	1	GASKET SEAL	NITRILE	BLACK
4	1	RJ-45 COUPLING RING	POLYESTER	BLACK
3	1	RJ-45 HOLDER	POLYESTER	BLACK
2	1	OVERMOLD BODY	PVC	BLACK
1	SEE CHART	CABLE, UTP, 4P, 24 AWG, CAT 6	PVC JACKET	GRAY
ITEM	QTY	DESCRIPTION	MATERIAL	FINSH

CABLE WAS BLACK. ADD OVERALL LENGTH EC NO: WNA2012-0171	2011/09/23	DRWRNSTONE
2011/09/26	CHKD.V. DU	2011/09/26
2012/01/24	APPR:JFMURPHY	2012/01/24
DESCRIPTION	REV	

QUALITY SYMBOLS	GENERAL TOLERANCES (UNLESS SPECIFIED)
▽=0	
▽=0	
	mm INCH
	4 PLACES ± --- ± ---
	3 PLACES ± --- ± ---
	2 PLACES ± --- ± .01
	1 PLACE ± 0.25 ± ---
	ANGULAR ± 1/2°
	DRAFT WHERE APPLICABLE MUST REMAIN WITHIN DIMENSIONS

DIMENSION STYLE		SCALE	DESIGN UNITS	THIRD ANGLE PROJECTION
IN/MM		1:1	INCH	
DRAWN BY	DATE	TITLE		
S.GILBERT	2003/08/18	CORD ASSEMBLY, RJ-45 MALE BAYONET TO MALE NO DRAIN WIRE		
CHECKED BY	DATE	MOLEX INCORPORATED		
P.WALTZ	2003/08/18	SD-84702-002		
APPROVED BY	DATE	SHEET NO.		
JFMURPHY	2009/12/15	1 OF 1		
MATERIAL NO.	DOCUMENT NO.	THIS DRAWING CONTAINS INFORMATION THAT IS PROPRIETARY TO MOLEX INCORPORATED AND SHOULD NOT BE USED WITHOUT WRITTEN PERMISSION		
SEE CHART				