



Chipsmall Limited consists of a professional team with an average of over 10 year of expertise in the distribution of electronic components. Based in Hongkong, we have already established firm and mutual-benefit business relationships with customers from,Europe,America and south Asia,supplying obsolete and hard-to-find components to meet their specific needs.

With the principle of “Quality Parts,Customers Priority,Honest Operation,and Considerate Service”,our business mainly focus on the distribution of electronic components. Line cards we deal with include Microchip,ALPS,ROHM,Xilinx,Pulse,ON,Everlight and Freescale. Main products comprise IC,Modules,Potentiometer,IC Socket,Relay,Connector.Our parts cover such applications as commercial,industrial, and automotives areas.

We are looking forward to setting up business relationship with you and hope to provide you with the best service and solution. Let us make a better world for our industry!



Contact us

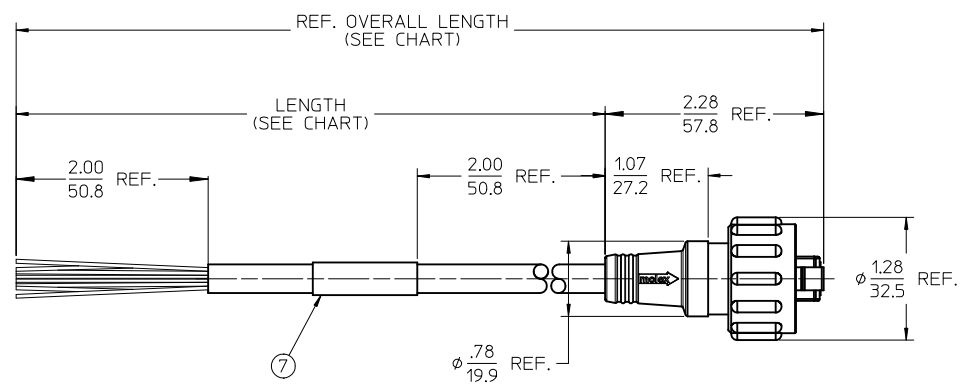
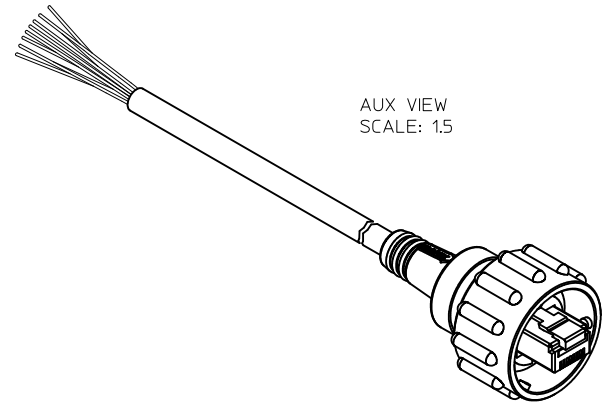
Tel: +86-755-8981 8866 Fax: +86-755-8427 6832

Email & Skype: info@chipsmall.com Web: www.chipsmall.com

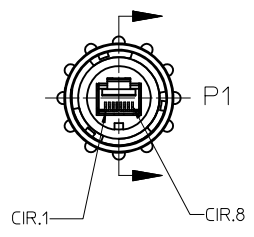
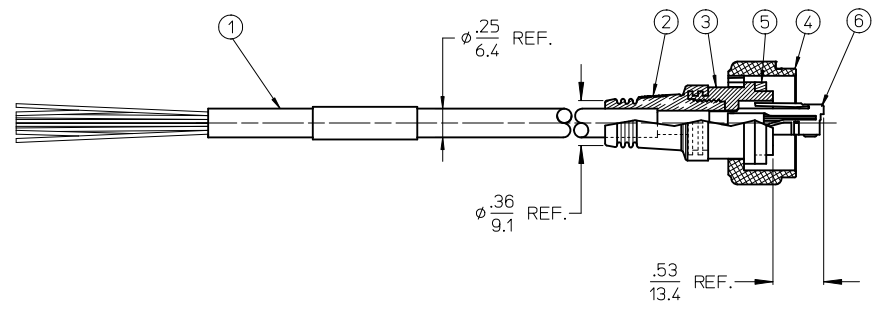
Address: A1208, Overseas Decoration Building, #122 Zhenhua RD., Futian, Shenzhen, China



MATERIAL NO.	FINISHED LENGTH	REF. OVERALL LENGTH
847023001	1'0" +1/4"-0 [.3M +6.4mm-0]	1' 2.3" (.36M)
847023003	3'0" +3/4"-0 [.9M +19mm-0]	3' 2.3" (.97M)
847023006	6'0" +1 1/2"-0 [1.8M +38mm-0]	6' 2.3" (1.9M)
847023009	9' 0" +2 1/2"-0 [2.74M +64mm -0]	9' 2.3" (2.8M)
847023012	12' 0"+3"-0 [3.7M +76mm-0]	12' 2.3" (3.7M)
847023020	20' 0" +5"-0 [6.1M +127mm-0]	20' 2.3" (6.2M)
847023050	50' 0" +12 1/2"-0 [15.2M +318mm-0]	50' 2.3" (15.3M)
847023100	100' 0" +25"-0 [30.5M +635mm-0]	100' 2.3" (30.5M)
847023908	9.57' +.75-0 [243mm +19-0]	11.85' (300.9mm)



- NOTES:
1. MATERIAL: SEE TABLE
 2. FINISHES: SEE TABLE
 3. PRODUCT SPECIFICATION: PPS.84.006
 4. MATES WITH BAYONET STYLE RJ-45 JACK ASSEMBLIES
 5. CABLE IS UL RATED TYPE MPR/CMR
 6. COUPLING RING AND HOLDER MEET UL 746C/UV
 7. ASSEMBLY IS RoHS COMPLIANT.



	P1
WHITE-ORANGE	1
ORANGE	2
WHITE-GREEN	3
BLUE	4
WHITE-BLUE	5
GREEN	6
WHITE-BROWN	7
BROWN	8

ITEM	QTY	DESCRIPTION	MATERIAL	FINISH
7	1	WRAP LABEL	PLASTIC FILM	BLACK/YELLOW
6	1	RJ-45 PLUG, SHIELDED	PER VENDOR SPEC.	GOLD PL. CONTACTS
5	1	GASKET SEAL	NITRILE	BLACK
4	1	RJ-45 COUPLING RING	POLYESTER	BLACK
3	1	RJ-45 HOLDER	POLYESTER	BLACK
2	1	OVERMOLD BODY	PVC	BLACK
1	1	CABLE, UTP, 4P, 24 AWG, CAT 6	PVC JACKET	GRAY

CABLE WAS BLACK
 EC NO: MNA2012-0171
 DRWNRSTONE 2011/09/23
 CHKDY: DU 2011/09/26
 APPR: JIMURPHY 2012/01/24

QUALITY SYMBOLS	GENERAL TOLERANCES (UNLESS SPECIFIED)	
	mm	INCH
▽=0	4 PLACES ± ---	± ---
▽=0	3 PLACES ± ---	± ---
	2 PLACES ± ---	± .01
	1 PLACE ± 0.25	± ---
	ANGULAR ± 1/2°	

DRAFT WHERE APPLICABLE MUST REMAIN WITHIN DIMENSIONS

DIMENSION STYLE IN/MM
 SCALE 1:1
 DESIGN UNITS INCH
 THIRD ANGLE PROJECTION
 DRAWN BY SGILBERT DATE 2003/08/15
 CHECKED BY PWALTZ DATE 2003/08/15
 APPROVED BY GROBERTSON DATE 2003/08/15
 MATERIAL NO. SEE CHART

TITLE CORD ASSEMBLY, RJ-45 MALE BAYONET, SNGL ENDED
 MOLEX INCORPORATED
 DOCUMENT NO. SD-84702-003
 SHEET NO. 1 OF 1
 THIS DRAWING CONTAINS INFORMATION THAT IS PROPRIETARY TO MOLEX INCORPORATED AND SHOULD NOT BE USED WITHOUT WRITTEN PERMISSION