



Chipsmall Limited consists of a professional team with an average of over 10 year of expertise in the distribution of electronic components. Based in Hongkong, we have already established firm and mutual-benefit business relationships with customers from,Europe,America and south Asia,supplying obsolete and hard-to-find components to meet their specific needs.

With the principle of "Quality Parts,Customers Priority,Honest Operation,and Considerate Service",our business mainly focus on the distribution of electronic components. Line cards we deal with include Microchip,ALPS,ROHM,Xilinx,Pulse,ON,Everlight and Freescale. Main products comprise IC,Modules,Potentiometer,IC Socket,Relay,Connector.Our parts cover such applications as commercial,industrial, and automotives areas.

We are looking forward to setting up business relationship with you and hope to provide you with the best service and solution. Let us make a better world for our industry!



Contact us

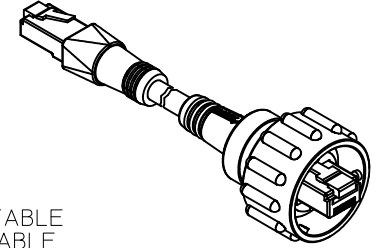
Tel: +86-755-8981 8866 Fax: +86-755-8427 6832

Email & Skype: info@chipsmall.com Web: www.chipsmall.com

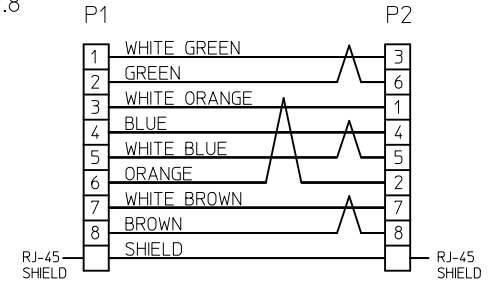
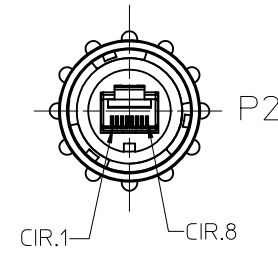
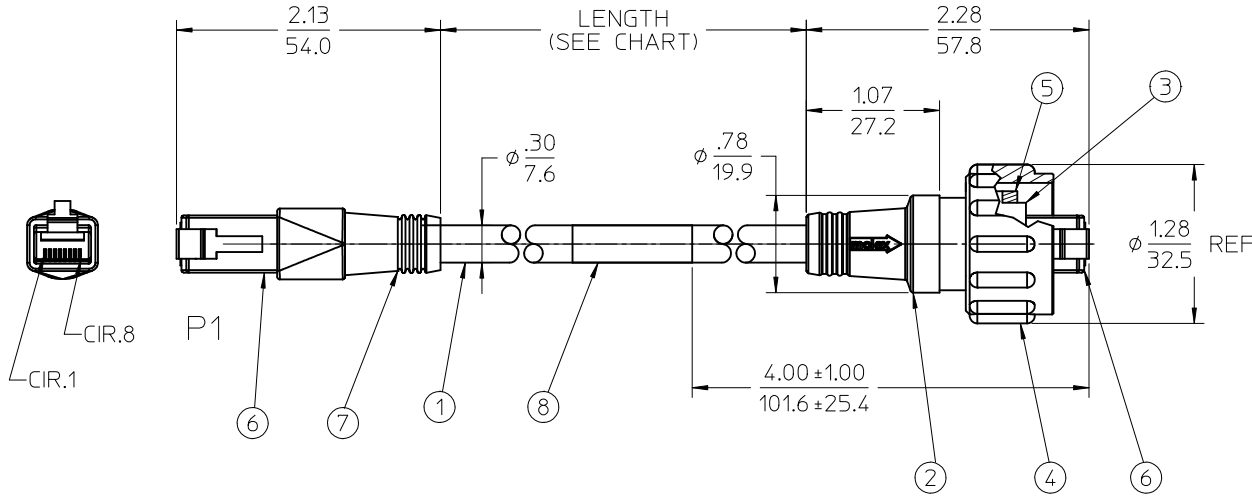
Address: A1208, Overseas Decoration Building, #122 Zhenhua RD., Futian, Shenzhen, China



10	9	8	7	6	5	4	3	2	1
MATERIAL NO.	LENGTH								
847029008	100' 0" +6.00"-0 [30.5M +152mm-0]								



- NOTES:
 1. MATERIAL: SEE TABLE
 2. FINISHES: SEE TABLE
 3. SHIELDS ARE CRIMPED ON BOTH ENDS
 4. ASSEMBLY IS RoHS COMPLIANT



WIRING DIAGRAM

8	1	WRAP LABEL	PLASTIC FILM	BLACK/YELLOW
7	1	RJ-45 PLUG OVERMOLD	PVC	BLACK
6	2	RJ-45 PLUG, SHIELDED	PH-BRNZ CONT.	GOLD PLATED
5	1	GASKET SEAL	NITRILE	BLACK
4	1	RJ-45 COUPLING RING	PBT	BLACK
3	1	RJ-45 HOLDER	PBT	BLACK
2	1	OVERMOLD BODY, PVC, BLACK	PVC	BLACK
1	1	CABLE, 4P, 24 AWG, SHIELDED	PVC JACKET	BLACK
ITEM	QTY	DESCRIPTION	MATERIAL	FINISH

ADD WRAP LABEL
 EC NO: WINA2010-0206
 DRAWN BY: CHKDRSTONE
 2009/10/16
 2009/12/15
 APPR: JFMURPHY
 2009/12/15

QUALITY SYMBOLS
 ▽=0
 ▽=0

GENERAL TOLERANCES (UNLESS SPECIFIED)

	mm	INCH
4 PLACES	± .005	± .0004
3 PLACES	± .002	± .0001
2 PLACES	± .001	± .0001
1 PLACE	± 0.25	± .010
ANGULAR ± 1/2°		

DRAFT WHERE APPLICABLE
 MUST REMAIN WITHIN DIMENSIONS

DIMENSION STYLE: IN/MM

DRAWN BY	DATE
R. STONE	09-28-05
CHECKED BY	DATE
R. DEROSS	09-29-05
APPROVED BY	DATE
JFMURPHY	2009/12/15

MATERIAL NO. SEE CHART

SCALE: 1:1
 DESIGN UNITS: INCH
 THIRD ANGLE PROJECTION

TITLE: CORD ASSEMBLY, RJ-45 MALE BAYONET TO MALE PLUG, 568B CROSSOVER

MOLEX INCORPORATED

DOCUMENT NO. SD-84702-015
 SHEET NO. 1 OF 1

THIS DRAWING CONTAINS INFORMATION THAT IS PROPRIETARY TO MOLEX INCORPORATED AND SHOULD NOT BE USED WITHOUT WRITTEN PERMISSION