



Chipsmall Limited consists of a professional team with an average of over 10 year of expertise in the distribution of electronic components. Based in Hongkong, we have already established firm and mutual-benefit business relationships with customers from,Europe,America and south Asia,supplying obsolete and hard-to-find components to meet their specific needs.

With the principle of “Quality Parts,Customers Priority,Honest Operation,and Considerate Service”,our business mainly focus on the distribution of electronic components. Line cards we deal with include Microchip,ALPS,ROHM,Xilinx,Pulse,ON,Everlight and Freescale. Main products comprise IC,Modules,Potentiometer,IC Socket,Relay,Connector.Our parts cover such applications as commercial,industrial, and automotives areas.

We are looking forward to setting up business relationship with you and hope to provide you with the best service and solution. Let us make a better world for our industry!



Contact us

Tel: +86-755-8981 8866 Fax: +86-755-8427 6832

Email & Skype: info@chipsmall.com Web: www.chipsmall.com

Address: A1208, Overseas Decoration Building, #122 Zhenhua RD., Futian, Shenzhen, China



PART NO.	LENGTH	REF. OVERALL LENGTH
847281002	1.5M (4' 11.06")	1.55M (5 FT 1 1/8 IN)
847281001	2.0M (6' 6.74")	2.05M (6 FT 8 13/16 IN.)
847281003	3.0M (9' 10.10")	3.05M (10 FT 3/16 IN)
847281004	5.0M (16' 4.85")	5.05M (16 FT 6 7/8 IN)
847281005	0.15M (0' 5.91")	0.20M (0 FT 8 IN)
847281905	0.28M (10.84")	0.33M (1 FT 15/16 IN)

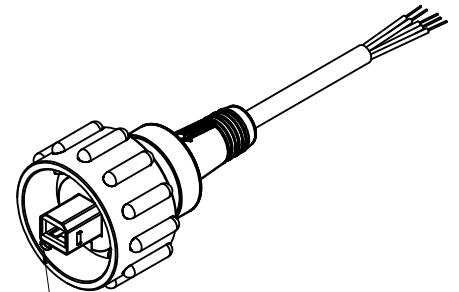
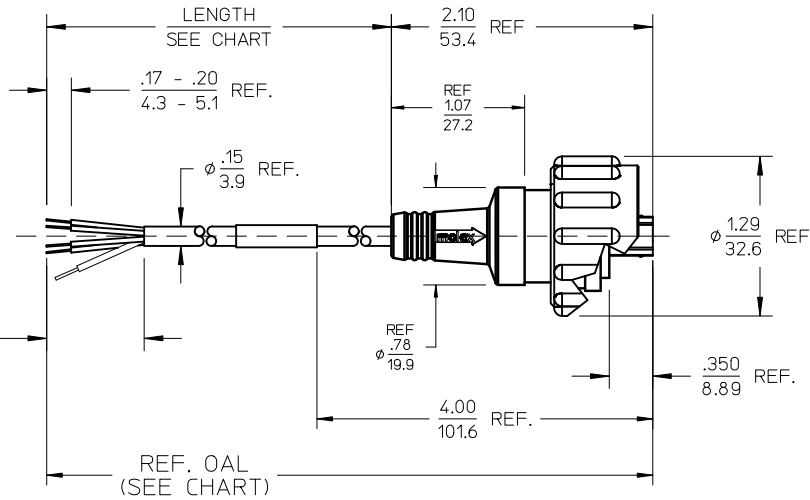
(K)

P1	
RED	1
WHT	2
GRN	3
BLK	4
DRAIN	

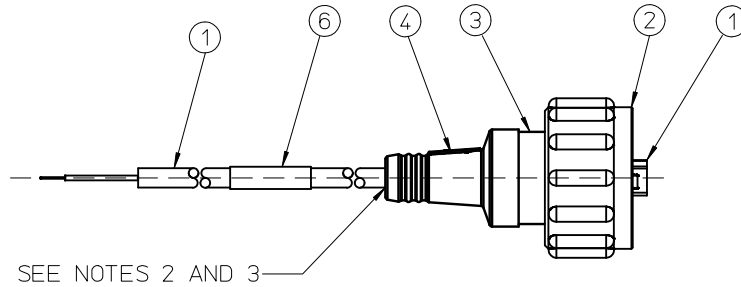
SHIELD

WIRING DIAGRAM

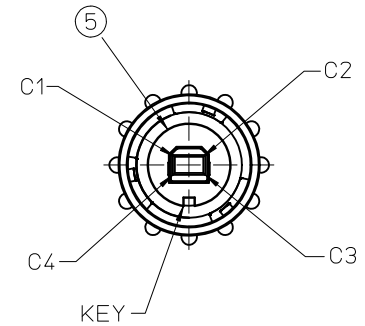
.75 - 1.00 REF.
19.0 - 25.4



BAYONET STYLE LOCKING INTERFACE



SEE NOTES 2 AND 3



- NOTES: UNLESS OTHERWISE SPECIFIED.
1. MATERIAL: SEE TABLE.
 2. FINISHES: SEE TABLE.
 3. PRODUCT SPEC: PS-84727-002
 4. PACKAGING: SEALED POLY BAG.
 5. MATES WITH: USB TYPE-B RECEPTACLES.
 6. ASSEMBLY IS RoHS COMPLIANT.

ITEM	QTY.	DESCRIPTION	MATERIAL	FINISH
6	1	WRAP LABEL	PLASTIC FILM	BLACK/YELLOW
5	1	GASKET SEAL	NITRILE	BLACK
4	1	OVER MOLDING	PVC	BLACK
3	1	HOLDER	POLYESTER	BLACK
2	1	COUPLING RING	POLYESTER	BLACK
1	1	USB TYPE-A PLUG SHIELDED PIGTAIL	BRASS/PLASTIC	

ADDED P/N EC NO: WNA2011-0167 DR: WAINSTONE 2010/10/19 CHKD: HARTMANN 2010/10/26 APPR: JF MURPHY 2010/12/14 K	QUALITY SYMBOLS ▽=0 ▽=0	GENERAL TOLERANCES (UNLESS SPECIFIED)		DIMENSION STYLE IN/MM		SCALE 1:1	DESIGN UNITS INCH	THIRD ANGLE PROJECTION		
		4 PLACES ± --- ± ---	mm INCH	DRAWN BY S.GILBERT	DATE 06-29-04	PLUG, USB TYPE-B, SHIELDED, PIGTAIL CIC				
		3 PLACES ± --- ± .005		CHECKED BY G.ROBERTSON	DATE 10-05-04					
		2 PLACES ± 0.13 ± .01		APPROVED BY JFMURPHY		DATE 2009/12/15	Molex MOLEX INCORPORATED		SHEET NO. 1 OF 1	
DRAFT WHERE APPLICABLE MUST REMAIN WITHIN DIMENSIONS		SEE CHART		MATERIAL NO.		DOCUMENT NO. SD-84728-001				