



Chipsmall Limited consists of a professional team with an average of over 10 year of expertise in the distribution of electronic components. Based in Hongkong, we have already established firm and mutual-benefit business relationships with customers from,Europe,America and south Asia,supplying obsolete and hard-to-find components to meet their specific needs.

With the principle of “Quality Parts,Customers Priority,Honest Operation,and Considerate Service”,our business mainly focus on the distribution of electronic components. Line cards we deal with include Microchip,ALPS,ROHM,Xilinx,Pulse,ON,Everlight and Freescale. Main products comprise IC,Modules,Potentiometer,IC Socket,Relay,Connector.Our parts cover such applications as commercial,industrial, and automotives areas.

We are looking forward to setting up business relationship with you and hope to provide you with the best service and solution. Let us make a better world for our industry!



Contact us

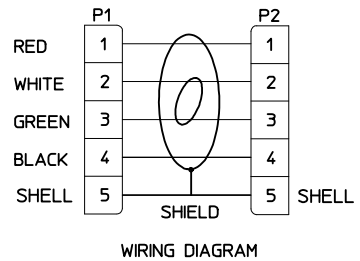
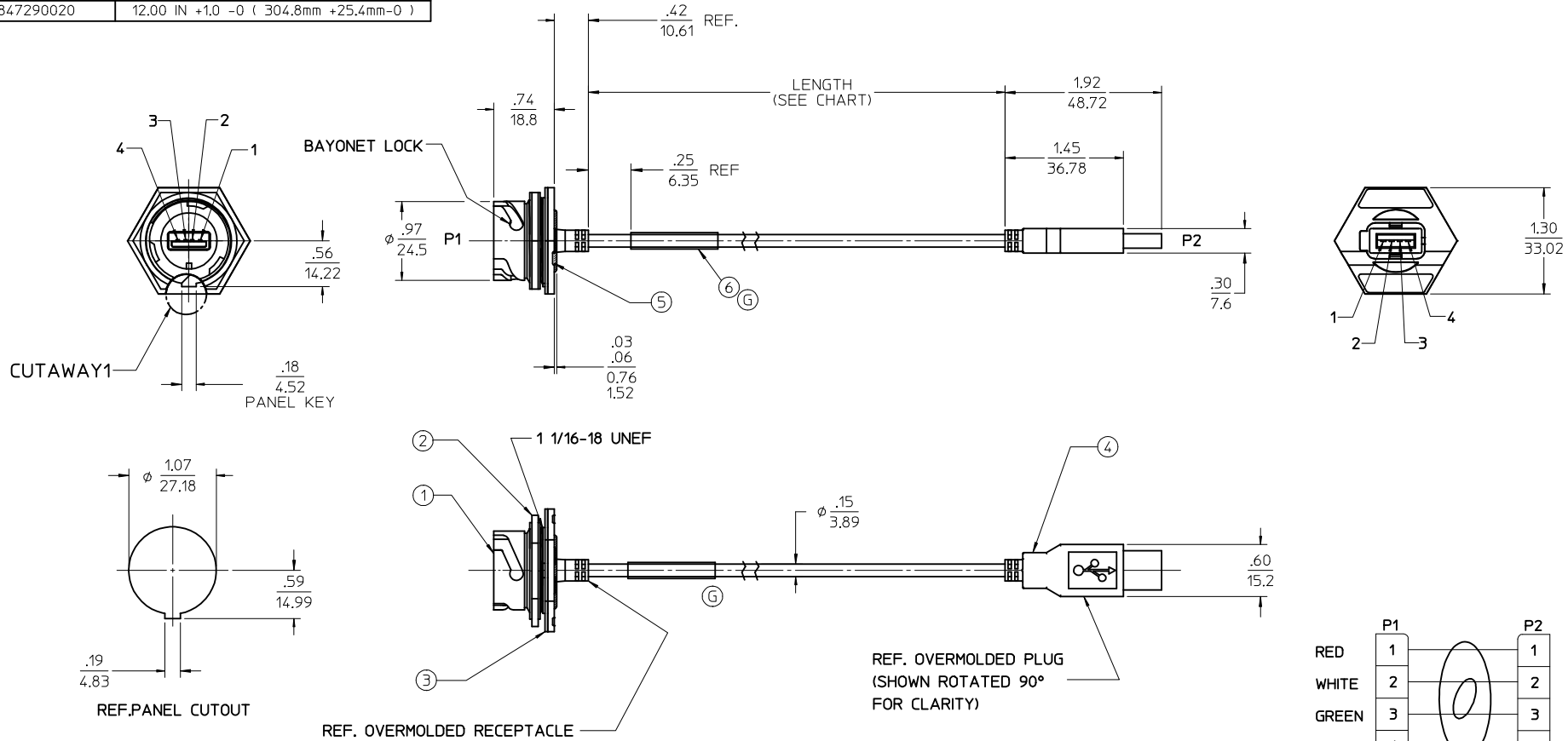
Tel: +86-755-8981 8866 Fax: +86-755-8427 6832

Email & Skype: info@chipsmall.com Web: www.chipsmall.com

Address: A1208, Overseas Decoration Building, #122 Zhenhua RD., Futian, Shenzhen, China



MATERIAL NO.	LENGTH
847290003	6.00 IN +.47 -0 (152.0mm +12mm-0)
847290004	31.88 IN +1.00-0 (810.0mm +25.4mm-0)
847290005	51.57 IN +1.00-0 (1310.0mm +25.4mm-0)
847290006	81.89 IN +1.57-0 (2080.0mm +40.0mm-0)
847290007	131.10 IN +3.15-0 (3330mm +80.0mm-0)
847290008	196.90 IN +3.94-0 (5000mm +100.0mm-0)
847290011	3.00 IN +.47 -0 (76.2mm +12mm-0)
847290020	12.00 IN +1.0 -0 (304.8mm +25.4mm-0)

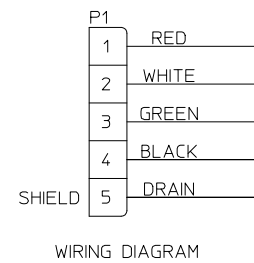
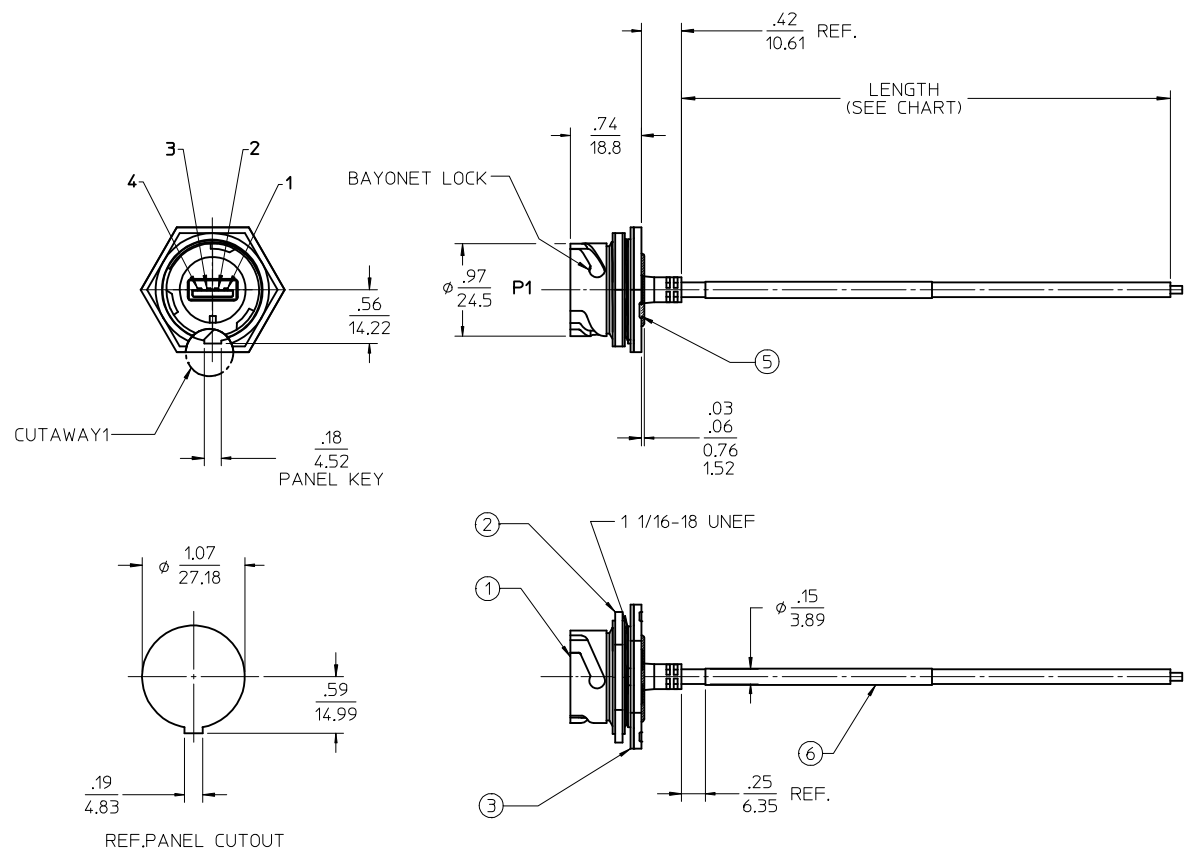


- NOTES:
- MATERIAL: SEE TABLE
 - FINISHES: SEE TABLE
 - CABLE MATERIAL:
OVERMOLD & JACKET: PVC
SHELL: PHOSPHOR BRONZE, NI PLATED
CONTACTS: PHOSPHOR BRONZE, GOLD PLATED
WIRE: 28 AWG
 - ASSEMBLY IS RoHS COMPLIANT

ITEM	QTY.	DESCRIPTION	MATERIAL	FINISH
6	1	WRAP LABEL	VINYL	YELLOW/BLACK
5	A/R	POTTING COMPOUND	EPOXY	BLACK
4	1	USB-A CABLE SUB-ASSEMBLY, SHIELDED	AS NOTED	AS NOTED
3	1	PANEL GASKET	NEOPRENE	BLACK
2	1	LOCKNUT	NYLON PA66, UL94HB	BLACK
1	1	RECEPTACLE HOUSING	PBT, UL94 V-0	BLACK

ADDED LABEL EC NO: IPG2015-0785 DRWNGGUSTAFSON 2014/10/28 CHKD:BRUPERT 2014/11/30 APPR:BMOODMAN 2014/12/02	QUALITY SYMBOLS $\nabla=0$ $\nabla=0$	GENERAL TOLERANCES (UNLESS SPECIFIED) <table border="1"> <thead> <tr> <th></th> <th>mm</th> <th>INCH</th> </tr> </thead> <tbody> <tr> <td>4 PLACES</td> <td>± .005</td> <td>± .0005</td> </tr> <tr> <td>3 PLACES</td> <td>± .005</td> <td>± .0005</td> </tr> <tr> <td>2 PLACES</td> <td>± .005</td> <td>± .001</td> </tr> <tr> <td>1 PLACE</td> <td>± 0.25</td> <td>± .010</td> </tr> </tbody> </table> ANGULAR ±1/2°		mm	INCH	4 PLACES	± .005	± .0005	3 PLACES	± .005	± .0005	2 PLACES	± .005	± .001	1 PLACE	± 0.25	± .010	DIMENSION STYLE IN/MM	SCALE 1:1	DESIGN UNITS INCH	THIRD ANGLE PROJECTION
				mm	INCH																
4 PLACES	± .005	± .0005																			
3 PLACES	± .005	± .0005																			
2 PLACES	± .005	± .001																			
1 PLACE	± 0.25	± .010																			
DRAFT WHERE APPLICABLE MUST REMAIN WITHIN DIMENSIONS	SEE CHART	MOLEX INCORPORATED																			
APPROVED BY J. MACNEIL 2007/02/20		DATE 2007/02/15		TITLE USB-A CORD ASSEMBLY PLUG & RECEPTACLE		DOCUMENT NO. SD-84729-006															
MATERIAL NO. SEE CHART		DATE 2007/02/20		SHEET NO. 1 OF 1		THIS DRAWING CONTAINS INFORMATION THAT IS PROPRIETARY TO MOLEX INCORPORATED AND SHOULD NOT BE USED WITHOUT WRITTEN PERMISSION															

MATERIAL NO.	LENGTH
847290010	6.00 IN +.47 -0 (152.0mm +12-0)



CUSTOMER PRODUCTION APPROVAL
 APPROVED BY: _____
 DATE: _____
 MUST BE SIGNED AND RETURNED BEFORE
 PRODUCTION WILL BEGIN.

SALES DRAWING

- NOTES:
1. MATERIAL: SEE TABLE
 2. FINISHES: SEE TABLE
 3. MATERIAL:
 CABLE: 28AWG, PVC, BLACK, RATED TO 80°C
 SHELL: PHOSPHOR BRONZE, NI PLATED
 CONTACTS: PHOSPHOR BRONZE, GOLD PLATED
 4. ASSEMBLY IS RoHS COMPLIANT
 5. PANEL THICKNESS: .10" MAX

ITEM	QTY.	DESCRIPTION	MATERIAL	FINISH
6	1	PRODUCT LABEL	VINYL	YELLOW
5	A/R	POTTING COMPOUND	EPOXY	BLACK
4	1	USB-A CABLE SUB-ASSEMBLY, SHIELDED	AS NOTED	AS NOTED
3	1	PANEL GASKET	NEOPRENE	BLACK
2	1	LOCKNUT	PBT, UL-94V-0	BLACK
1	1	RECEPTACLE HOUSING	PBT, UL-94V-0	BLACK

SHOW LABEL ON VIEWS
 EC NO: IPG2017-0065
 DRW:BRUPERT 2016/07/20
 CHKD: APPR:WOODMAN 2016/08/11

QUALITY SYMBOLS
 ▽=0
 ▽=0

DESCRIPTION

GENERAL TOLERANCES (UNLESS SPECIFIED)

	mm	INCH
4 PLACES	± .005	± .0004
3 PLACES	± .005	± .0004
2 PLACES	± .01	± .0004
1 PLACE	± 0.25	± .01

ANGULAR ±1/2°

DRAFT WHERE APPLICABLE
 MUST REMAIN WITHIN DIMENSIONS

DIMENSION STYLE
 IN/MM

DRAWN BY DATE
 R.STONE 2007/02/15

CHECKED BY DATE
 J.MACNEIL 2007/02/20

APPROVED BY DATE
 J.MACNEIL 2007/02/20

MATERIAL NO.
SEE CHART

SIZE

SCALE 1:1
 DESIGN UNITS INCH
 THIRD ANGLE PROJECTION

TITLE
USB-A CORD ASSEMBLY RECEPTACLE

MOLEX INCORPORATED

DOCUMENT NO. **SD-84729-010**

SHEET NO. 1 OF 1

THIS DRAWING CONTAINS INFORMATION THAT IS PROPRIETARY TO MOLEX INCORPORATED AND SHOULD NOT BE USED WITHOUT WRITTEN PERMISSION