



Chipsmall Limited consists of a professional team with an average of over 10 year of expertise in the distribution of electronic components. Based in Hongkong, we have already established firm and mutual-benefit business relationships with customers from,Europe,America and south Asia,supplying obsolete and hard-to-find components to meet their specific needs.

With the principle of “Quality Parts,Customers Priority,Honest Operation,and Considerate Service”,our business mainly focus on the distribution of electronic components. Line cards we deal with include Microchip,ALPS,ROHM,Xilinx,Pulse,ON,Everlight and Freescale. Main products comprise IC,Modules,Potentiometer,IC Socket,Relay,Connector.Our parts cover such applications as commercial,industrial, and automotives areas.

We are looking forward to setting up business relationship with you and hope to provide you with the best service and solution. Let us make a better world for our industry!



## Contact us

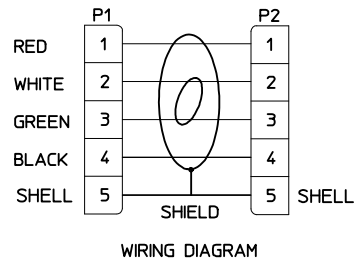
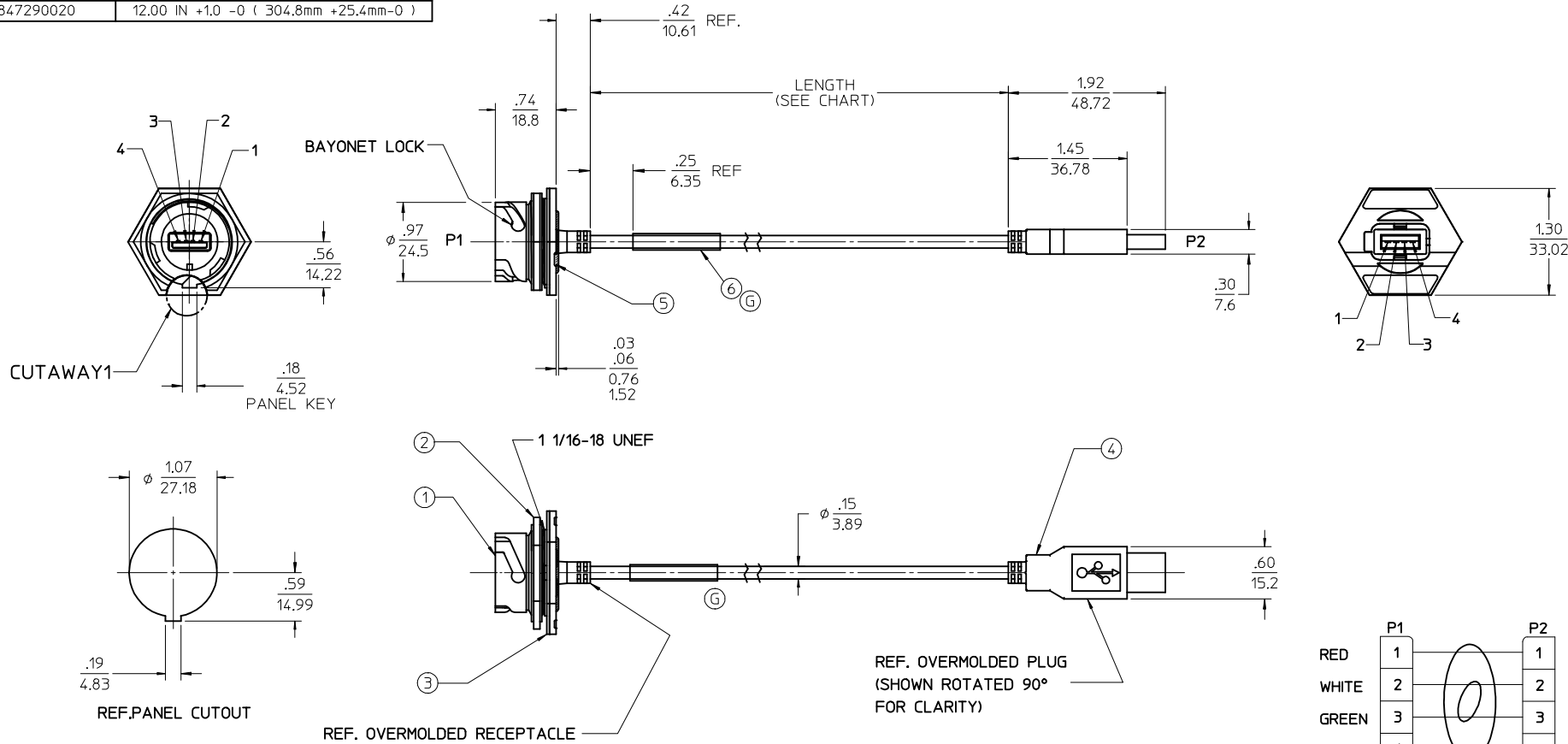
Tel: +86-755-8981 8866 Fax: +86-755-8427 6832

Email & Skype: info@chipsmall.com Web: www.chipsmall.com

Address: A1208, Overseas Decoration Building, #122 Zhenhua RD., Futian, Shenzhen, China



MATERIAL NO.	LENGTH
847290003	6.00 IN +.47 -0 ( 152.0mm +12mm-0 )
847290004	31.88 IN +1.00-0 ( 810.0mm +25.4mm-0 )
847290005	51.57 IN +1.00-0 ( 1310.0mm +25.4mm-0 )
847290006	81.89 IN +1.57-0 ( 2080.0mm +40.0mm-0 )
847290007	131.10 IN +3.15-0 ( 3330mm +80.0mm-0 )
847290008	196.90 IN +3.94-0 ( 5000mm +100.0mm-0 )
847290011	3.00 IN +.47 -0 ( 76.2mm +12mm-0 )
847290020	12.00 IN +1.0 -0 ( 304.8mm +25.4mm-0 )



- NOTES:
- MATERIAL: SEE TABLE
  - FINISHES: SEE TABLE
  - CABLE MATERIAL:  
OVERMOLD & JACKET: PVC  
SHELL: PHOSPHOR BRONZE, NI PLATED  
CONTACTS: PHOSPHOR BRONZE, GOLD PLATED  
WIRE: 28 AWG
  - ASSEMBLY IS RoHS COMPLIANT

ITEM	QTY.	DESCRIPTION	MATERIAL	FINISH
6	1	WRAP LABEL	VINYL	YELLOW/BLACK
5	A/R	POTTING COMPOUND	EPOXY	BLACK
4	1	USB-A CABLE SUB-ASSEMBLY, SHIELDED	AS NOTED	AS NOTED
3	1	PANEL GASKET	NEOPRENE	BLACK
2	1	LOCKNUT	NYLON PA66, UL94HB	BLACK
1	1	RECEPTACLE HOUSING	PBT, UL94 V-0	BLACK

<b>ADDED LABEL</b> EC NO: IPG2015-0785 DRWNGGUSTAFSON 2014/10/28 CHKD:BRUPERT 2014/11/30 APPR:BMOODMAN 2014/12/02	QUALITY SYMBOLS $\nabla=0$ $\nabla=0$	GENERAL TOLERANCES (UNLESS SPECIFIED)	DIMENSION STYLE <b>IN/MM</b>	SCALE <b>1:1</b>	DESIGN UNITS <b>INCH</b>	THIRD ANGLE PROJECTION												
		<table border="1"> <thead> <tr> <th></th> <th>mm</th> <th>INCH</th> </tr> </thead> <tbody> <tr> <td>4 PLACES</td> <td>± .15</td> <td>± .005</td> </tr> <tr> <td>3 PLACES</td> <td>± .10</td> <td>± .004</td> </tr> <tr> <td>2 PLACES</td> <td>± .05</td> <td>± .002</td> </tr> <tr> <td>1 PLACE</td> <td>± 0.25</td> <td>± .010</td> </tr> </tbody> </table>		mm	INCH	4 PLACES	± .15	± .005	3 PLACES	± .10	± .004	2 PLACES	± .05	± .002	1 PLACE	± 0.25	± .010	DRAWN BY R.STONE
	mm	INCH																
4 PLACES	± .15	± .005																
3 PLACES	± .10	± .004																
2 PLACES	± .05	± .002																
1 PLACE	± 0.25	± .010																
DRAFT WHERE APPLICABLE MUST REMAIN WITHIN DIMENSIONS		APPROVED BY J.MACNEIL	DATE 2007/02/20	<b>MOLEX INCORPORATED</b>														
SEE CHART		MATERIAL NO.		DOCUMENT NO. <b>SD-84729-006</b>	SHEET NO. <b>1 OF 1</b>													
THIS DRAWING CONTAINS INFORMATION THAT IS PROPRIETARY TO MOLEX INCORPORATED AND SHOULD NOT BE USED WITHOUT WRITTEN PERMISSION																		