



Chipsmall Limited consists of a professional team with an average of over 10 year of expertise in the distribution of electronic components. Based in Hongkong, we have already established firm and mutual-benefit business relationships with customers from,Europe,America and south Asia,supplying obsolete and hard-to-find components to meet their specific needs.

With the principle of “Quality Parts,Customers Priority,Honest Operation,and Considerate Service”,our business mainly focus on the distribution of electronic components. Line cards we deal with include Microchip,ALPS,ROHM,Xilinx,Pulse,ON,Everlight and Freescale. Main products comprise IC,Modules,Potentiometer,IC Socket,Relay,Connector.Our parts cover such applications as commercial,industrial, and automotives areas.

We are looking forward to setting up business relationship with you and hope to provide you with the best service and solution. Let us make a better world for our industry!



## Contact us

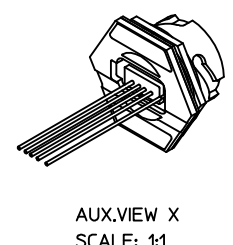
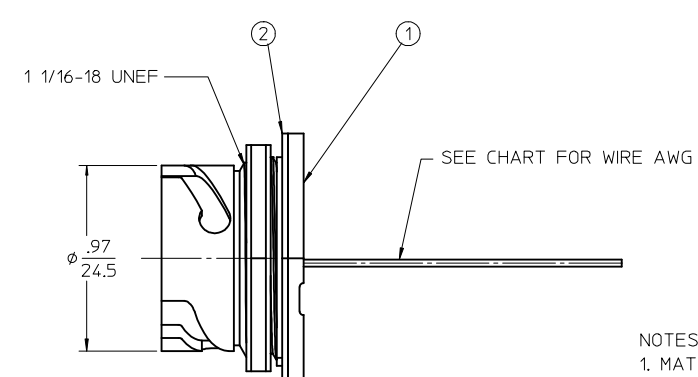
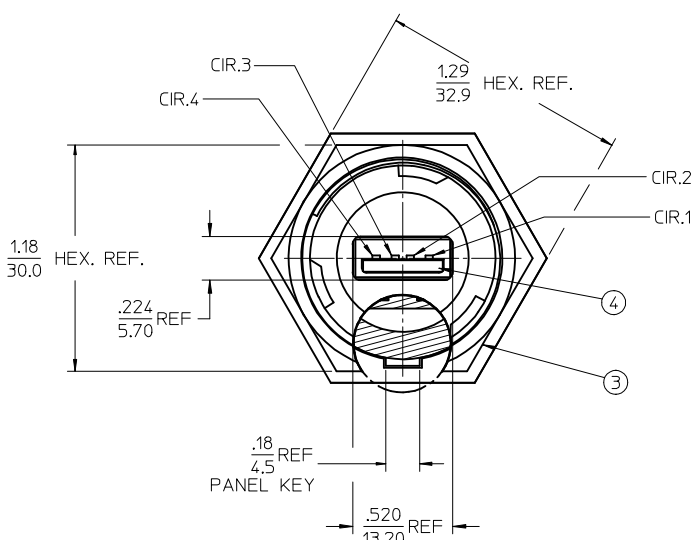
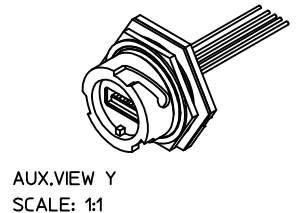
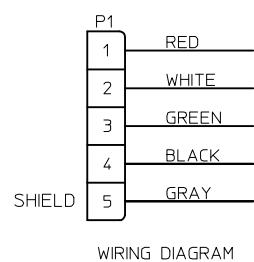
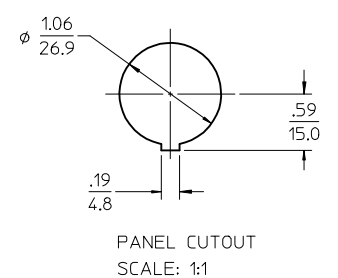
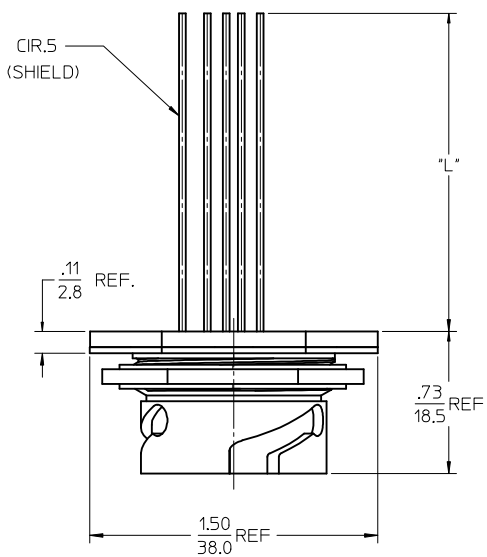
Tel: +86-755-8981 8866 Fax: +86-755-8427 6832

Email & Skype: info@chipsmall.com Web: www.chipsmall.com

Address: A1208, Overseas Decoration Building, #122 Zhenhua RD., Futian, Shenzhen, China



MATERIAL NO	ENGINEERING NO	WIRE AWG	"L" LENGTH	GASKET SEAL MATERIAL	COLOR
847290001	84729-0001	28	6.0" +.5/-0	NEOPRENE	BLACK
847290002	84729-0002	20	6.0" +.5/-0	NEOPRENE	BLACK
847290015	84729-0015	20	1100MM +25.4/-0	NEOPRENE	BLACK
847290019	84729-0019	20	200MM +25.4/-0	NEOPRENE	BLACK
847290023	84729-0023	28	9.0" +.5/-0	NEOPRENE	BLACK
847290029	84729-0029	28	6.0" +.5/-0	SILICONE	RED



- NOTES:
1. MATERIAL: SEE TABLE
  2. FINISHES: SEE TABLE
  3. MATES WITH: INDUSTRY STD. BAYONET LOCKING USB TYPE A
  4. MAX PANEL THICKNESS .10

ITEM	QTY.	DESCRIPTION	MATERIAL	FINISH
4	1	USB RECEPTACLE, WITH WIRES	VENDOR SPEC.	NI PLATED CONTACTS
3	1	LOCK-NUT	PA	BLACK
2	1	GASKET SEAL	SEE CHART	SEE CHART
1	1	USB RECEPTACLE, PANEL MOUNT	PBT	BLACK

ADD PN 847290029 EC NO: IPG2014-1746 DRWR:STONE 2014/04/10 CHKD:R. RUPERT 2014/04/23 APPR:JF.MURPHY 2014/07/01	QUALITY SYMBOLS ▽=0 ▽=0	GENERAL TOLERANCES (UNLESS SPECIFIED)		DIMENSION STYLE IN/MM		SCALE 2:1	DESIGN UNITS INCH	THIRD ANGLE PROJECTION
		4 PLACES ± --- ± --- 3 PLACES ± --- ± .005 2 PLACES ± 0.13 ± .01 1 PLACE ± 0.3 ± --- ANGULAR ± 1/2°	mm INCH DRAWN BY R.STONE CHECKED BY R.DERROSS APPROVED BY R.DERROSS DATE 05-12-06 DATE 06-01-05 DATE 06-01-05	TITLE USB-A RECEPTACLE WITH WIRES		DOCUMENT NO. SD-84729-005		SHEET NO. 1 OF 1
DRAFT WHERE APPLICABLE MUST REMAIN WITHIN DIMENSIONS		MATERIAL NO. SEE CHART		MOLEX INCORPORATED		THIS DRAWING CONTAINS INFORMATION THAT IS PROPRIETARY TO MOLEX INCORPORATED AND SHOULD NOT BE USED WITHOUT WRITTEN PERMISSION		