



Chipsmall Limited consists of a professional team with an average of over 10 year of expertise in the distribution of electronic components. Based in Hongkong, we have already established firm and mutual-benefit business relationships with customers from,Europe,America and south Asia,supplying obsolete and hard-to-find components to meet their specific needs.

With the principle of “Quality Parts,Customers Priority,Honest Operation,and Considerate Service”,our business mainly focus on the distribution of electronic components. Line cards we deal with include Microchip,ALPS,ROHM,Xilinx,Pulse,ON,Everlight and Freescale. Main products comprise IC,Modules,Potentiometer,IC Socket,Relay,Connector.Our parts cover such applications as commercial,industrial, and automotives areas.

We are looking forward to setting up business relationship with you and hope to provide you with the best service and solution. Let us make a better world for our industry!



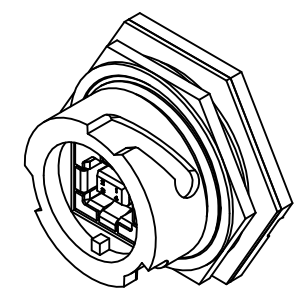
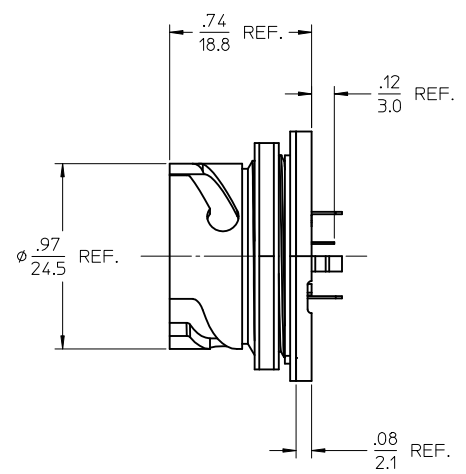
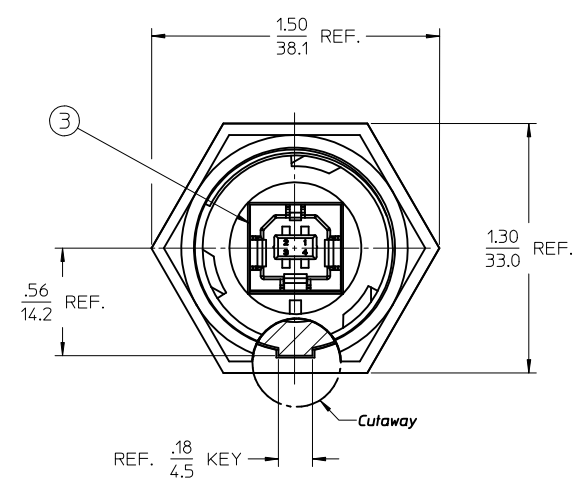
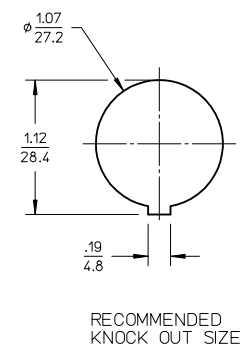
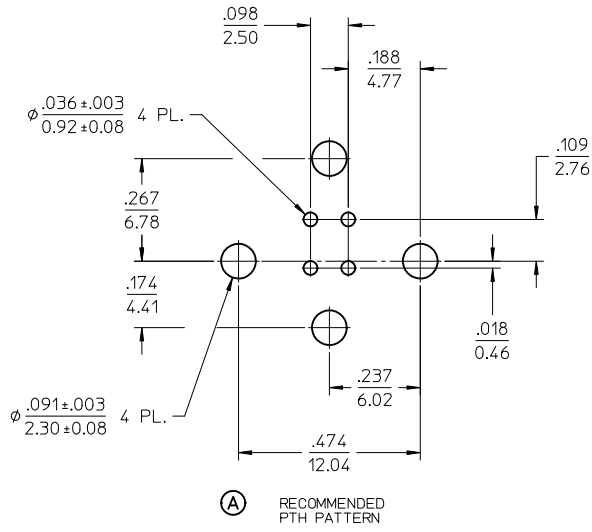
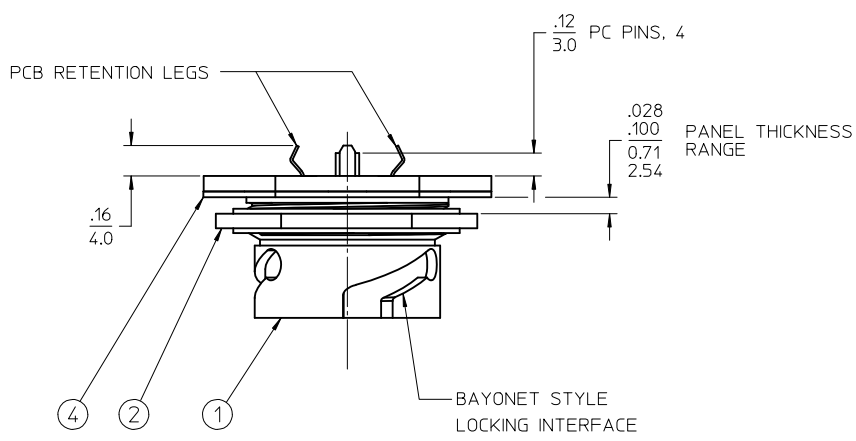
Contact us

Tel: +86-755-8981 8866 Fax: +86-755-8427 6832

Email & Skype: info@chipsmall.com Web: www.chipsmall.com

Address: A1208, Overseas Decoration Building, #122 Zhenhua RD., Futian, Shenzhen, China





- NOTES: UNLESS OTHERWISE SPECIFIED
1. MATERIAL: SEE TABLE
 2. FINISHES: SEE TABLE
 3. PRODUCT SPEC: PS-84727-002
 4. MATES WITH I.E. INDUSTRY STANDARD.
 5. RECOMMENDED PCB THICKNESS TO .063 / 1.60
 6. ASSEMBLY IS RoHS COMPLIANT.

(A) REF. THIS DRAWING SUPERSEDES SD-84730-001 REV-C, P/N 847300001

4	1	PANEL GASKET	NEOPRENE	BLACK
3	1	USB TYPE-B SHIELDED I/O RECEPTACLE	HSG-POLYESTER, SHELL/CONTACTS-PHOS BRNZ	GOLD PLT.
2	1	LOCK NUT	POLYESTER	BLACK
1	1	RECEPTACLE HOUSING	POLYESTER	BLACK
ITEM QTY.		DESCRIPTION	MATERIAL NO.	FINISH

RELEASED, NEW P/N	2010/08/09
EC NO: WNA2011-0081	
DRWR:RSTONE	2010/08/12
CHKD:K. JOZWIK	2010/09/17
APPR:JFMURPHY	
DESCRIPTION	
REV	

QUALITY SYMBOLS	GENERAL TOLERANCES (UNLESS SPECIFIED)
▽=0	
▽=0	
	ANGULAR ± 2°
	DRAFT WHERE APPLICABLE MUST REMAIN WITHIN DIMENSIONS

DIMENSION STYLE	
IN/MM	
DRAWN BY	DATE
RSTONE	2010/08/09
CHECKED BY	DATE
K. JOZWIK	2010/08/12
APPROVED BY	DATE
JFMURPHY	2010/09/16
MATERIAL NO.	
847300010	
SIZE	
C	

SCALE	DESIGN UNITS	THIRD ANGLE PROJECTION
2:1	INCH	
TITLE		
RECEPTACLE, PANEL PCB MOUNT, USB TYPE B SHIELDED		
MOLEX INCORPORATED		
DOCUMENT NO.	SHEET NO.	
SD-84730-010	1 OF 1	
THIS DRAWING CONTAINS INFORMATION THAT IS PROPRIETARY TO MOLEX INCORPORATED AND SHOULD NOT BE USED WITHOUT WRITTEN PERMISSION		