



Chipsmall Limited consists of a professional team with an average of over 10 year of expertise in the distribution of electronic components. Based in Hongkong, we have already established firm and mutual-benefit business relationships with customers from,Europe,America and south Asia,supplying obsolete and hard-to-find components to meet their specific needs.

With the principle of “Quality Parts,Customers Priority,Honest Operation,and Considerate Service”,our business mainly focus on the distribution of electronic components. Line cards we deal with include Microchip,ALPS,ROHM,Xilinx,Pulse,ON,Everlight and Freescale. Main products comprise IC,Modules,Potentiometer,IC Socket,Relay,Connector.Our parts cover such applications as commercial,industrial, and automotives areas.

We are looking forward to setting up business relationship with you and hope to provide you with the best service and solution. Let us make a better world for our industry!



## Contact us

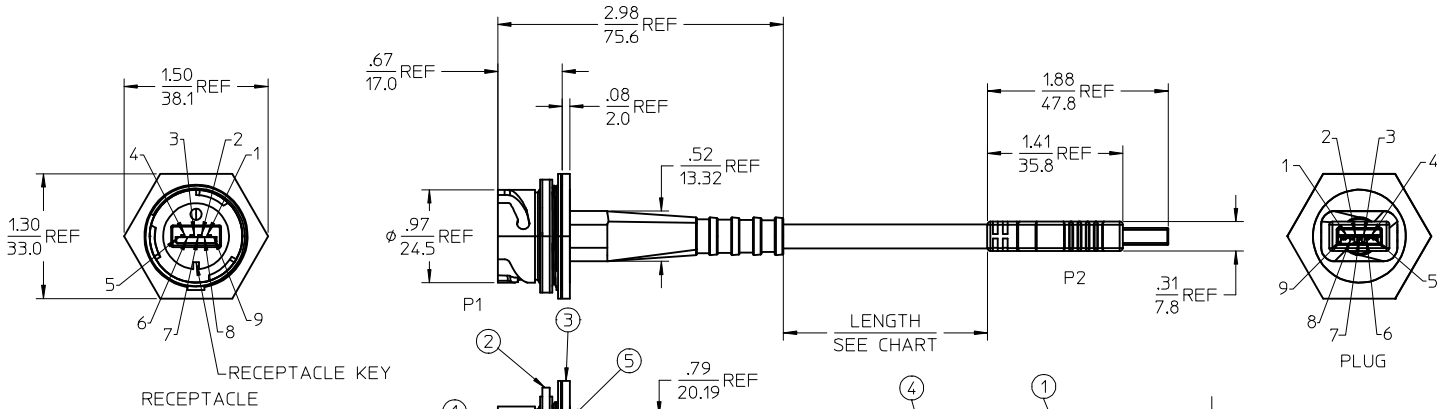
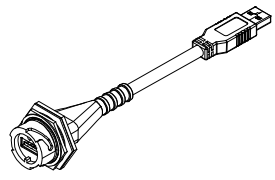
Tel: +86-755-8981 8866 Fax: +86-755-8427 6832

Email & Skype: info@chipsmall.com Web: www.chipsmall.com

Address: A1208, Overseas Decoration Building, #122 Zhenhua RD., Futian, Shenzhen, China



MATERIAL NO.	LENGTH
847330003	6.00 IN +.47 -0 ( 152.0mm +12mm-0 )
847330004	31.88 IN +1.00-0 ( 810.0mm +25.4mm-0 )
847330005	51.57 IN +1.00-0 ( 1310.0mm +25.4mm-0 )
847330006	81.89 IN +1.57-0 ( 2080.0mm +40.0mm-0 )
847330007	131.10 IN +3.15-0 ( 3330.0mm +80.0mm-0 )
847330008	196.90 IN +3.94-0 ( 5000mm +100mm-0 )
847330009	118.11 IN +3.15 -0 ( 3000mm +80.mm-0 )
847330011	3.00 IN +.47 -0 ( 76.2mm +12mm-0 )
847330020	12.00 IN +1.0 -0 ( 304.8mm +25.4mm-0 )



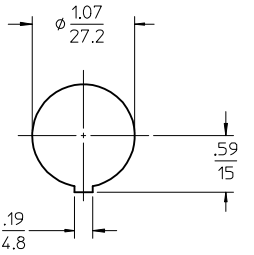
Ⓔ

- NOTES:  
 1. MATERIAL: SEE TABLE  
 2. FINISHES: SEE TABLE  
 3. CABLES:

A) CABLE FOR ASSEMBLIES ≤0.8M (800mm) LG,  
 OUTER JACKET: PVC, φ5.50±0.3, BLACK  
 (2) 28AWG SHIELDED TWISTED PAIRS WITH ALUMINUM/MYLAR SHIELD WITH STRANDED TINNED COPPER DRAIN WIRE  
 (1) 28AWG SHIELDED TWISTED PAIR WITH ALUMINUM SHIELD,  
 (2) 28AWG INSULATED CONDUCTORS, STRANDED, TINNED COPPER  
 CABLE SHIELD: BRAIDED TINNED COPPER WIRE  
 CABLE: UL2725 FILE: E164571

B) CABLE FOR ASSEMBLIES >0.8M(800mm) LG,  
 OUTER JACKET: PVC, φ6.50±0.3, BLACK  
 (2) 26AWG SHIELDED TWISTED PAIRS WITH ALUMINUM/MYLAR SHIELD WITH STRANDED TINNED COPPER DRAIN WIRE  
 (1) 28AWG SHIELDED TWISTED PAIR WITH ALUMINUM/MYLAR SHIELD  
 (2) 22AWG CONDUCTORS STRANDED TINNED COPPER  
 CABLE SHIELD: BRAIDED TINNED COPPER WIRE  
 CABLE: UL2725 FILE: E164571

4. CABLE TEMPERATURE: 80°C, VOLTAGE: 30V & FLAME RATING: VW-1 RATING  
 5. CABLE LENGTHS GREATER THAN USB3.0 SPECIFICATION SHALL BE END USER QUALIFIED IN APPLICATION.  
 6. CONNECTOR MEETS USB3.0 SPECIFICATION  
 7. CONNECTOR TESTED FOR CONTINUITY  
 8. TYPE A CONNECTOR:  
 SHELL: PHOSPHOR BRONZE, Ni PLATED  
 CONTACTS: PHOSPHOR BRONZE, GOLD PLATED 30μNCHES MIN. OVER NICKEL  
 9. RECEPTACLE MATES WITH MOLEX USB3.0 CABLE PLUG SERIES 84734  
 10. RECEPTACLE CONNECTOR MATES WITH MOLEX DUST CAP 847000003  
 11. RECEPTACLE CONNECTOR IS RATED IP67 WHEN MATED TO MOLEX DUST CAP OR MOLEX MATING CONNECTOR  
 12. ASSEMBLY IS RoHS COMPLIANT



PANEL CUTOUT  
 .10/2.5 MAX PANEL THICKNESS

PIN OUT		P1	P2
1	RED	VBUS	1
2	WHITE	D-	2
3	GREEN	D+	3
4	BLACK	GND	4
5	BLUE	Std_A_SSRX-	5
6	YELLOW	Std_A_SSRX+	6
7	DRAIN WIRE		7
8	PURPLE	Std_SSTX-	8
9	ORANGE	Std_SSTX+	9
		BRAID	

ITEM	QTY.	DESCRIPTION	MATERIAL	FINISH
6	1	PRODUCT LABEL	VINYL	YELLOW
5	A/R	POTTING COMPOUND	EPOXY	BLACK
4	1	USB3.0 TYPE-A TO TYPE-A CABLE, SHIELDED	AS NOTED	BLACK
3	1	PANEL GASKET	NEOPRENE	BLACK
2	1	LOCKNUT	PBT, UL-94V-0	BLACK
1	1	RECEPTACLE HOUSING TO PLUG OVERMOLD	PBT/PVC	BLACK

REV.	DESCRIPTION
1	REV. NOTES
2	EC NO: IPG2015-0592
3	DRWING:GUSTAFSON 2014/12/15
4	CHKD:BRUPERT 2015/01/30
5	APPR:WUODMAN 2015/05/12

QUALITY SYMBOLS
▽=0
▽=0

GENERAL TOLERANCES (UNLESS SPECIFIED)	
4 PLACES	± .005
3 PLACES	± .005
2 PLACES	± 0.13 ± .010
1 PLACE	± 0.25 ± .020
0 PLACE	± .005
ANGULAR ± .5 °	

DIMENSION STYLE		SCALE	DESIGN UNITS	THIRD ANGLE PROJECTION
IN/MM		NTS	INCH	
DRAWN BY	DATE	TITLE		
BRUPERT	2013/01/16	USB3.0 TYPE-A RECEPT TO USB3.0 TYPE-A PLUG		
CHECKED BY	DATE			
APPROVED BY	DATE			
BWOODMAN	2013/08/26	DOCUMENT NO.	SHEET NO.	
SEE CHART		SD-84733-001	1 OF 1	
DRAFT WHERE APPLICABLE MUST REMAIN WITHIN DIMENSIONS				
THIS DRAWING CONTAINS INFORMATION THAT IS PROPRIETARY TO MOLEX INCORPORATED AND SHOULD NOT BE USED WITHOUT WRITTEN PERMISSION				