



Chipsmall Limited consists of a professional team with an average of over 10 year of expertise in the distribution of electronic components. Based in Hongkong, we have already established firm and mutual-benefit business relationships with customers from,Europe,America and south Asia,supplying obsolete and hard-to-find components to meet their specific needs.

With the principle of "Quality Parts,Customers Priority,Honest Operation,and Considerate Service",our business mainly focus on the distribution of electronic components. Line cards we deal with include Microchip,ALPS,ROHM,Xilinx,Pulse,ON,Everlight and Freescale. Main products comprise IC,Modules,Potentiometer,IC Socket,Relay,Connector.Our parts cover such applications as commercial,industrial, and automotives areas.

We are looking forward to setting up business relationship with you and hope to provide you with the best service and solution. Let us make a better world for our industry!



Contact us

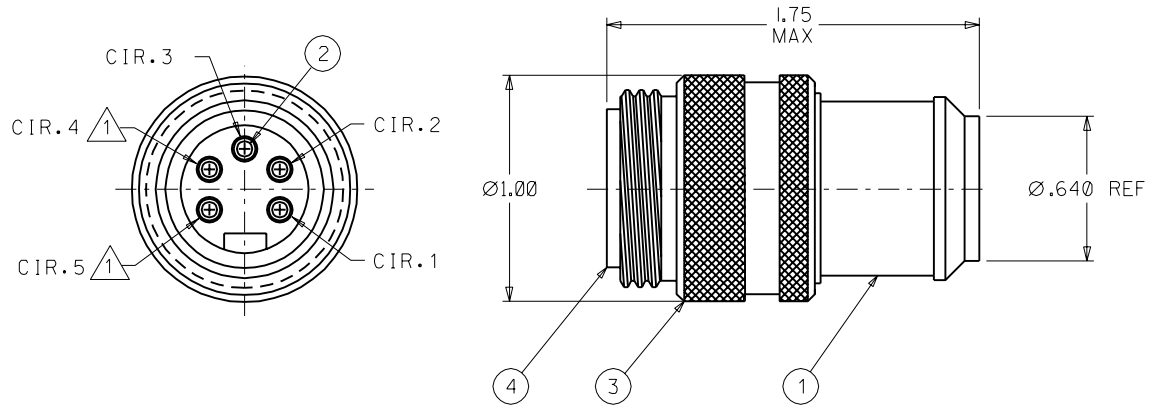
Tel: +86-755-8981 8866 Fax: +86-755-8427 6832

Email & Skype: info@chipsmall.com Web: www.chipsmall.com

Address: A1208, Overseas Decoration Building, #122 Zhenhua RD., Futian, Shenzhen, China



REV	DATE	ECN NO.	APPVD BY	REL BY
A	1-8-01	UM2001-0196 PROD. REL.		



ITEM	QTY	DESCRIPTION	MATERIAL/FINISH
4	1	INSERT, PIN, 5/C	PVC/COLOR:YELLOW
3	1	CPLG. RING, EXT. THDS.	BRASS/BLACK ANODIZE
2	5	CONTACT, PIN	CU ALLOY/GOLD PLATED
1	A/R	OVERMOLD	PVC/COLOR:BLUE

1 121 OHM ±1% RESISTANCE FROM CIRCUIT 4 TO 5.

NOTES: UNLESS OTHERWISE SPECIFIED

QUALITY SYMBOLS MAJOR = CRITICAL = SPC =	UNLESS SPECIFIED: ALL DIMENSIONS IN INCHES GENERAL TOLERANCES: 3 PLACE ±.005 2 PLACE ±.01 ANGULAR ±2°	SCALE 2:1 DWG SIZE B	THIRD ANGLE PROJECTION	REVISE ON CAD ONLY	
		DRAWN BY & DATE GF 1-8-01	TITLE: MINI-C, TERMINATING PLUG, MALE, BLUE		
	Ufi-Mate CAGE CODE 58967	APPROVED BY & DATE		MOLEX INCORPORATED Orange, CA 92868	92868 SHEET NO. 1 OF 1
			PART NO. 848499000 DRAWING NO. SD-84849-9000		REV A

THIS DRAWING CONTAINS INFORMATION THAT IS PROPRIETARY TO MOLEX INCORPORATED AND SHOULD NOT BE USED WITHOUT WRITTEN PERMISSION.