



Chipsmall Limited consists of a professional team with an average of over 10 year of expertise in the distribution of electronic components. Based in Hongkong, we have already established firm and mutual-benefit business relationships with customers from,Europe,America and south Asia,supplying obsolete and hard-to-find components to meet their specific needs.

With the principle of “Quality Parts,Customers Priority,Honest Operation,and Considerate Service”,our business mainly focus on the distribution of electronic components. Line cards we deal with include Microchip,ALPS,ROHM,Xilinx,Pulse,ON,Everlight and Freescale. Main products comprise IC,Modules,Potentiometer,IC Socket,Relay,Connector.Our parts cover such applications as commercial,industrial, and automotives areas.

We are looking forward to setting up business relationship with you and hope to provide you with the best service and solution. Let us make a better world for our industry!



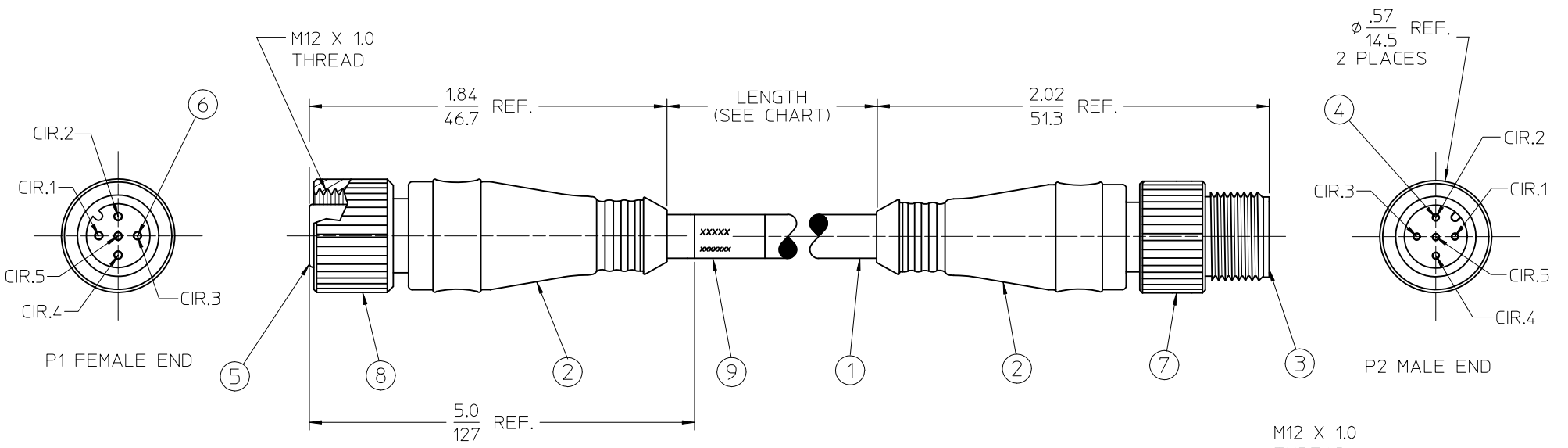
Contact us

Tel: +86-755-8981 8866 Fax: +86-755-8427 6832

Email & Skype: info@chipsmall.com Web: www.chipsmall.com

Address: A1208, Overseas Decoration Building, #122 Zhenhua RD., Futian, Shenzhen, China

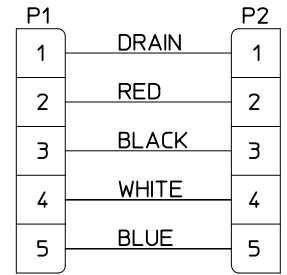




NOTES:
 1. MATERIAL: SEE TABLE
 2. FINISHES: SEE TABLE
 3. ASSEMBLY IS RoHS COMPLIANT

MATERIAL NO.	LENGTH
848546034	0.5M
848546035	1.0M
848546036	2.0M
848546037	3.0M
848546038	4.0M
848546039	5.0M
848546055	6.0M
848546041	7.0M
848546042	8.0M
848546043	9.0M
848546044	10.0M

MATERIAL NO.	LENGTH
848546046	1.0 FT
848546047	2.0 FT.
848546048	3.0 FT.
848546049	6.0 FT.
848546050	9.0 FT.
848546051	12.0 FT.
848546052	16.0 FT.
848546053	20.0 FT.
848546054	30.0 FT.
848546056	40.0 FT.



WIRING DIAGRAM

ITEM	QTY.	DESCRIPTION	MATERIAL	FINISH
9	1	WRAP LABEL	MYLAR	BLACK/YELLOW
8	1	COUPLING RING, FEMALE THREAD	BRASS	NICKEL PLATED
7	1	COUPLING RING, MALE THREAD	BRASS	NICKEL PLATED
6	5	CONTACT SOCKET	BRASS	GOLD PLATED
5	1	INSULATOR, FEMALE	NYLON	BLACK
4	5	CONTACT PIN	BRASS	GOLD PLATED
3	1	INSULATOR, MALE	NYLON	BLACK
2	2	OVERMOLD	PVC	GRAY
1	1	CABLE, THIN, DEVICE NET	PVC JACKET	GRAY

RELEASED
 EC NO: ETC2007-0449
 DRAWN BY: R. STONE 2007/10/15
 CHKD: J. MACNEIL 2008/02/05
 APPR: J. MACNEIL 2010/01/05

QUALITY SYMBOLS
 ▽=0
 ▽=0

GENERAL TOLERANCES (UNLESS SPECIFIED)

	mm	INCH
4 PLACES	± .005	± .0004
3 PLACES	± .005	± .0004
2 PLACES	± .005	± .0004
1 PLACE	± 0.25	± .010

ANGULAR ±1/2°

DRAFT WHERE APPLICABLE MUST REMAIN WITHIN DIMENSIONS

DIMENSION STYLE: IN/MM

DRAWN BY: R. STONE DATE: 2007/06/13

CHECKED BY: J. MACNEIL DATE: 2007/06/14

APPROVED BY: J. MACNEIL DATE: 2007/06/14

MATERIAL NO. SEE CHART(S)

SCALE: 1:1

DESIGN UNITS: INCH

THIRD ANGLE PROJECTION

TITLE: MICRO-C, NMEA 2000 STYLE CABLE ASSY, 5/C, DC KEY MALE/FEM, DEV-NET, THIN

MOLEX INCORPORATED

DOCUMENT NO. SD-84854-016

SHEET NO. 1 OF 1

THIS DRAWING CONTAINS INFORMATION THAT IS PROPRIETARY TO MOLEX INCORPORATED AND SHOULD NOT BE USED WITHOUT WRITTEN PERMISSION