



Chipsmall Limited consists of a professional team with an average of over 10 year of expertise in the distribution of electronic components. Based in Hongkong, we have already established firm and mutual-benefit business relationships with customers from,Europe,America and south Asia,supplying obsolete and hard-to-find components to meet their specific needs.

With the principle of "Quality Parts,Customers Priority,Honest Operation,and Considerate Service",our business mainly focus on the distribution of electronic components. Line cards we deal with include Microchip,ALPS,ROHM,Xilinx,Pulse,ON,Everlight and Freescale. Main products comprise IC,Modules,Potentiometer,IC Socket,Relay,Connector.Our parts cover such applications as commercial,industrial, and automotives areas.

We are looking forward to setting up business relationship with you and hope to provide you with the best service and solution. Let us make a better world for our industry!



Contact us

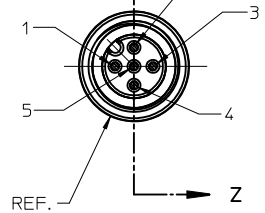
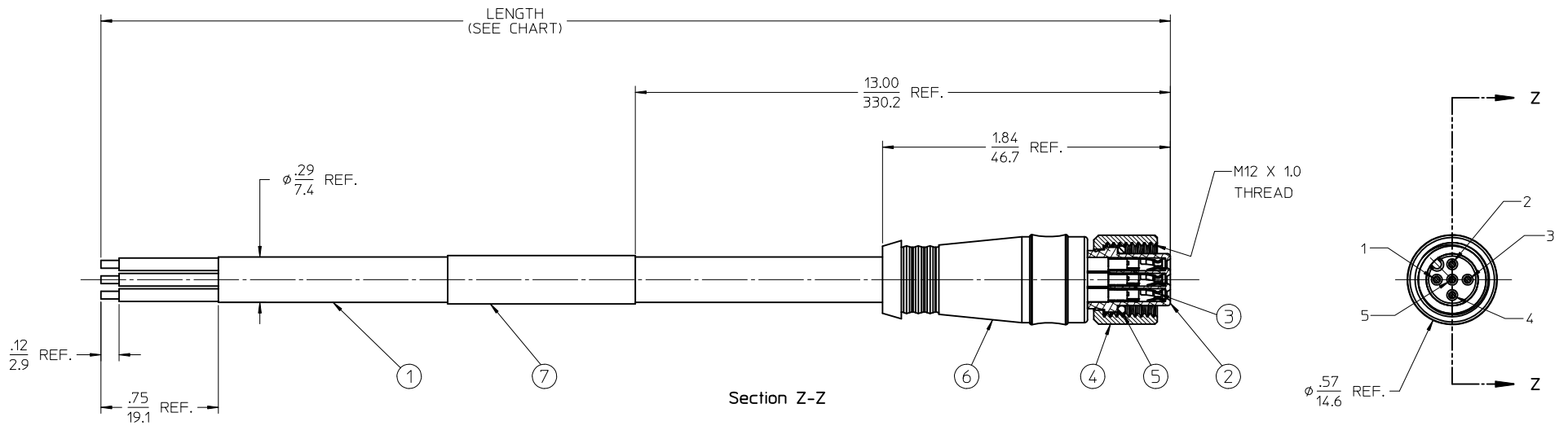
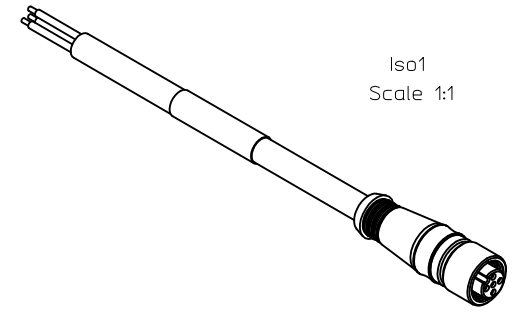
Tel: +86-755-8981 8866 Fax: +86-755-8427 6832

Email & Skype: info@chipsmall.com Web: www.chipsmall.com

Address: A1208, Overseas Decoration Building, #122 Zhenhua RD., Futian, Shenzhen, China



| MATERIAL NO. | ENGINEERING NO. | MADE FROM |
|--------------|-----------------|-----------------------------------|
| 848547021 | 84854-7021 | 1' 8" +1.75"-0 (.5M +45mm-0) |
| 848547022 | 84854-7022 | 3' 3" +2.19"-0 (1.0M +56mm-0) |
| 848547023 | 84854-7023 | 6' 7" +3.50"-0 (2.0M +89mm-0) |
| 848547024 | 84854-7024 | 9' 10" +3.50"-0 (3.0M +89mm-0) |
| 848547025 | 84854-7025 | 13' 1" +6.50"-0 (4.0M +165mm-0) |
| 848547026 | 84854-7026 | 16' 5" +6.50"-0 (5.0M +165mm-0) |
| 848547027 | 84854-7027 | 19' 8" +6.50"-0 (6.0M +165mm-0) |



| P1 | DESCRIPTION |
|----|-------------|
| 1 | DRAIN |
| 2 | RED +V |
| 3 | BLACK -V |
| 4 | WHITE CAN H |
| 5 | BLUE CAN L |

- NOTES:
1. MATERIAL: SEE TABLE
 2. FINISHES: SEE TABLE
 3. PACKAGING: SEALED POLY BAGS WITH BAR-CODE LABEL
 4. MATES WITH: MIC 5 POLE DEV-NET RECEPTACLE
 5. ELECTRICAL SPECIFICATIONS:
CURRENT RATING: 4.0 AMPS MAX
 6. PART IS RoHS COMPLIANT

| ITEM | QTY. | DESCRIPTION | MATERIAL | FINISH |
|------|------|--------------------------------------|--------------|---------------|
| 7 | 1 | LABEL | PLASTIC FILM | YELLOW/BLACK |
| 6 | 1 | OVERMOLD | PVC | GRAY |
| 5 | 1 | O-RING | VITON | RED |
| 4 | 1 | COUPLING NUT | BRASS | NICKEL PLATED |
| 3 | 5 | CONTACT SOCKET | Cu ALLOY | GOLD PLATED |
| 2 | 1 | INSERT, 5 POLE | NYLON | BLACK |
| 1 | 1 | CABLE, 2 PR. SHIELDED, DEV-NET, THIN | PVC JACKET | GRAY |

| RELEASED EC NO: MNA2010-0402 DRAWN BY: DRWINRSTONE 2010/01/05 CHECKED BY: CHKD:B.WOODMAN 2010/01/07 APPR: J.MURPHY 2010/01/07 | QUALITY SYMBOLS | GENERAL TOLERANCES (UNLESS SPECIFIED) | DIMENSION STYLE | SCALE | DESIGN UNITS | THIRD ANGLE PROJECTION | | | | | | | | | | | | | | | |
|--|--|---|---|-------|--------------|------------------------|-------|-------|----------|-------|--------|----------|--------|-------|---------|-------|---|-------|-----|------|--|
| | $\nabla=0$ $\nabla=0$ | <table border="1"> <thead> <tr> <th></th> <th>mm</th> <th>INCH</th> </tr> </thead> <tbody> <tr> <td>4 PLACES</td> <td>± ---</td> <td>± ---</td> </tr> <tr> <td>3 PLACES</td> <td>± ---</td> <td>± .005</td> </tr> <tr> <td>2 PLACES</td> <td>± 0.13</td> <td>± .01</td> </tr> <tr> <td>1 PLACE</td> <td>± 0.3</td> <td>±</td> </tr> </tbody> </table> | | mm | INCH | 4 PLACES | ± --- | ± --- | 3 PLACES | ± --- | ± .005 | 2 PLACES | ± 0.13 | ± .01 | 1 PLACE | ± 0.3 | ± | IN/MM | 2:1 | INCH | |
| | | mm | INCH | | | | | | | | | | | | | | | | | | |
| | 4 PLACES | ± --- | ± --- | | | | | | | | | | | | | | | | | | |
| 3 PLACES | ± --- | ± .005 | | | | | | | | | | | | | | | | | | | |
| 2 PLACES | ± 0.13 | ± .01 | | | | | | | | | | | | | | | | | | | |
| 1 PLACE | ± 0.3 | ± | | | | | | | | | | | | | | | | | | | |
| | ANGULAR ± 1° | DRAWN BY: R.STONE DATE: 2009/12/28 | TITLE: MIC CABLE ASSEMBLY FEMALE, 5 POLE DEV-NET DROP | | | | | | | | | | | | | | | | | | |
| | DRAFT WHERE APPLICABLE MUST REMAIN WITHIN DIMENSIONS | CHECKED BY: B.WOODMAN DATE: 2010/01/04 | MOLEX INCORPORATED | | | | | | | | | | | | | | | | | | |
| | | APPROVED BY: J.MURPHY DATE: 2010/01/06 | DOCUMENT NO. SD-84854-022 SHEET NO. 1 OF 1 | | | | | | | | | | | | | | | | | | |
| | | MATERIAL NO. SEE CHART | THIS DRAWING CONTAINS INFORMATION THAT IS PROPRIETARY TO MOLEX INCORPORATED AND SHOULD NOT BE USED WITHOUT WRITTEN PERMISSION | | | | | | | | | | | | | | | | | | |