



Chipsmall Limited consists of a professional team with an average of over 10 year of expertise in the distribution of electronic components. Based in Hongkong, we have already established firm and mutual-benefit business relationships with customers from,Europe,America and south Asia,supplying obsolete and hard-to-find components to meet their specific needs.

With the principle of “Quality Parts,Customers Priority,Honest Operation,and Considerate Service”,our business mainly focus on the distribution of electronic components. Line cards we deal with include Microchip,ALPS,ROHM,Xilinx,Pulse,ON,Everlight and Freescale. Main products comprise IC,Modules,Potentiometer,IC Socket,Relay,Connector.Our parts cover such applications as commercial,industrial, and automotives areas.

We are looking forward to setting up business relationship with you and hope to provide you with the best service and solution. Let us make a better world for our industry!



## Contact us

Tel: +86-755-8981 8866 Fax: +86-755-8427 6832

Email & Skype: info@chipsmall.com Web: www.chipsmall.com

Address: A1208, Overseas Decoration Building, #122 Zhenhua RD., Futian, Shenzhen, China

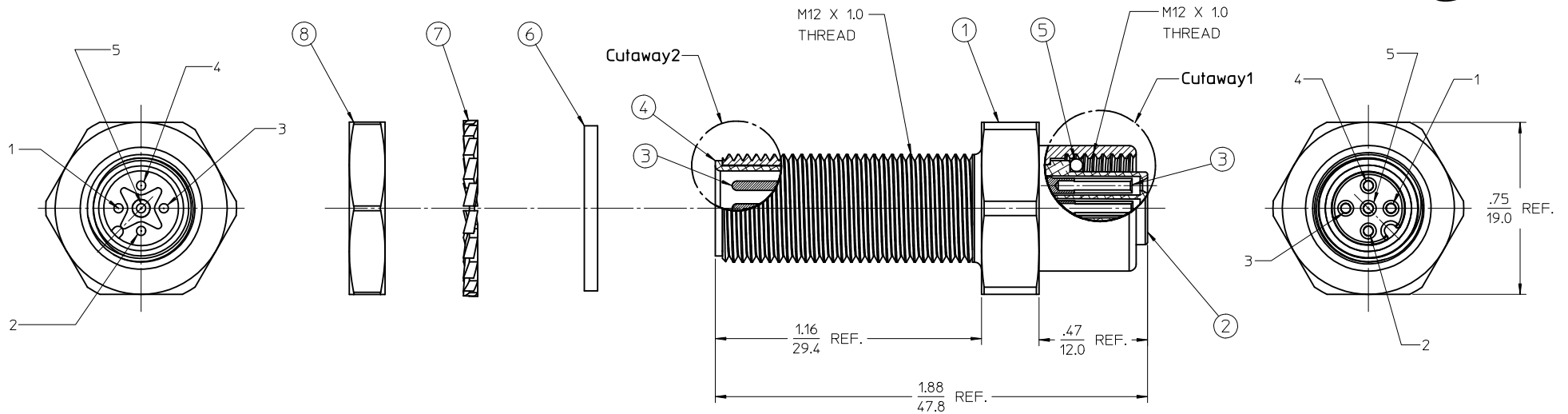
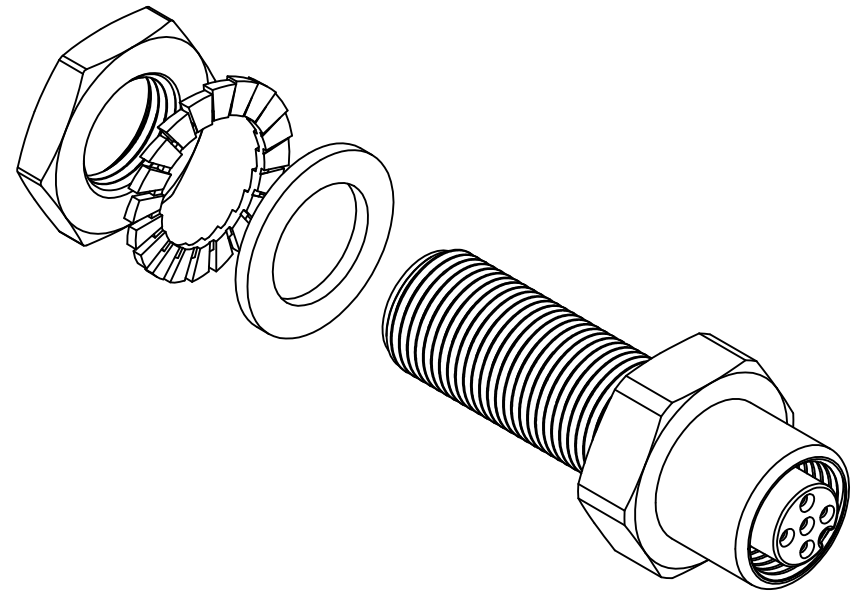


NOTES:

1. MATERIAL: SEE TABLE
2. FINISHES: SEE TABLE
3. PACKAGING: PACKED IN POLY BAG WITH BARCODE LABEL
5. MATES WITH: MIC 5/C CABLE
6. ELECTRICAL SPECIFICATIONS:  
 VOLTAGE RATING: 30VAC, 36 VDC  
 CURRENT RATING: 4.0 AMPS



WIRING DIAGRAM



8	1	HEXNUT	BRASS	NICKEL
7	1	LOCKWASHER	STEEL	ZINC PLATED
6	1	WASHER	RUBBER	BLACK
5	1	O-RING	VITON	RED
4	5	CONTACT, PIN/SOCKET	Cu ALLOY	GOLD PLATED
3	1	INSERT, MALE, 5/C	NYLON	BLACK
2	1	INSERT, FEMALE, 5/C	NYLON	BLACK
1	1	RECEPTACLE SHELL	BRASS	NICKEL PLATED
ITEM	QTY.	DESCRIPTION	MATERIAL	FINISH

RELEASED	EC NO: MNA2010-0402	2010/01/05
DRWINRSTONE	2010/01/07	
CHKD:B.WOODMAN	2010/01/07	
APPR:J.MURPHY	2010/01/07	
REV	DESCRIPTION	QUALITY SYMBOLS
A		$\nabla=0$ $\nabla=0$

GENERAL TOLERANCES (UNLESS SPECIFIED)	
4 PLACES ± --- ± ---	mm INCH
3 PLACES ± --- ± ---	
2 PLACES ± --- ± .01	
1 PLACE ± 0.3 ± ---	
ANGULAR ±1/2°	
DRAFT WHERE APPLICABLE MUST REMAIN WITHIN DIMENSIONS	

DIMENSION STYLE		SCALE	DESIGN UNITS	THIRD ANGLE PROJECTION
IN/MM		3:1	INCH	
DRAWN BY	DATE	TITLE		
R.STONE	2009/12/30	MIC BULKHEAD 5C MALE/FEMALE		
CHECKED BY	DATE	MATERIAL NO.		
B.WOODMAN	2010/01/06	848549300		
APPROVED BY	DATE	DOCUMENT NO.		
J.MURPHY	2010/01/08	SD-84854-025		
SIZE		SHEET NO.		
C		1 OF 1		

MATERIAL NO.		DOCUMENT NO.		SHEET NO.
848549300		SD-84854-025		1 OF 1
THIS DRAWING CONTAINS INFORMATION THAT IS PROPRIETARY TO MOLEX INCORPORATED AND SHOULD NOT BE USED WITHOUT WRITTEN PERMISSION				