



Chipsmall Limited consists of a professional team with an average of over 10 year of expertise in the distribution of electronic components. Based in Hongkong, we have already established firm and mutual-benefit business relationships with customers from,Europe,America and south Asia,supplying obsolete and hard-to-find components to meet their specific needs.

With the principle of “Quality Parts,Customers Priority,Honest Operation,and Considerate Service”,our business mainly focus on the distribution of electronic components. Line cards we deal with include Microchip,ALPS,ROHM,Xilinx,Pulse,ON,Everlight and Freescale. Main products comprise IC,Modules,Potentiometer,IC Socket,Relay,Connector.Our parts cover such applications as commercial,industrial, and automotives areas.

We are looking forward to setting up business relationship with you and hope to provide you with the best service and solution. Let us make a better world for our industry!



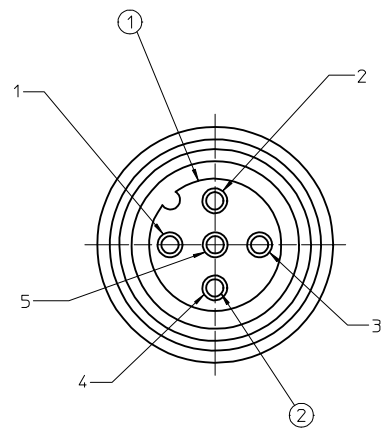
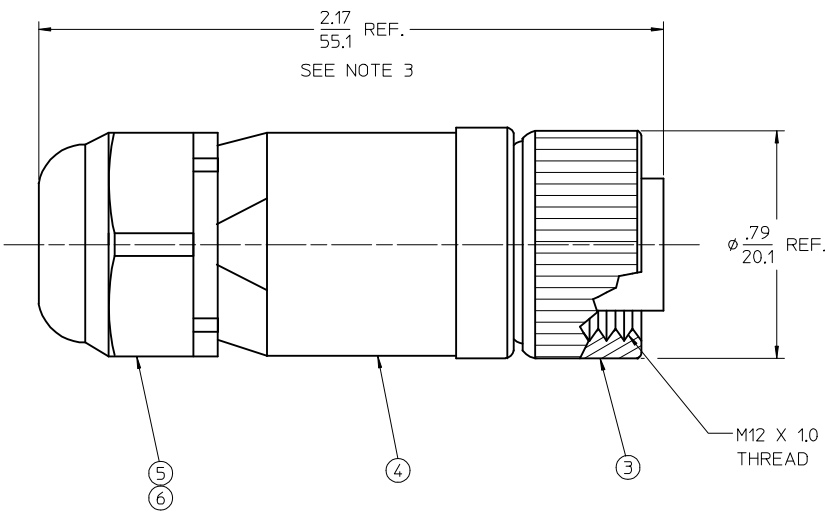
Contact us

Tel: +86-755-8981 8866 Fax: +86-755-8427 6832

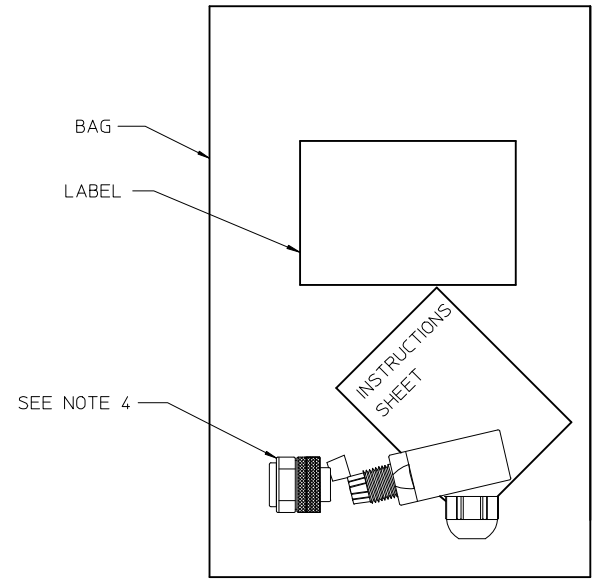
Email & Skype: info@chipsmall.com Web: www.chipsmall.com

Address: A1208, Overseas Decoration Building, #122 Zhenhua RD., Futian, Shenzhen, China





FEMALE FACE VIEW



Ⓑ PACKAGED VIEW Ⓒ INSTURCTIONS SHEET

NOTES:

- 1. CABLE RANGE: .16 to .32 DIA. (4.1mm TO 8.1mm)
- 2. MAX CONDUCTOR SIZE: 18 AWG
- Ⓑ 3. PART SHOWN ASSEMBLED FOR DIMENSIONAL REF. ONLY
- 4. COMPONENTS ARE SHIPPED AS UNASSEMBLED KIT

ITEM	QTY.	DESCRIPTION	MATERIAL	FINISH
6	1	PACKING GLAND (GROMMET)	NITRILE RUBBER	BLACK
5	1	PACKING NUT	NYLON	BLACK
4	1	OVERMOLD	POLYAMIDE	BLACK
3	1	COUPLING NUT	BRASS	NICKEL PLATED
2	5	CONTACT SOCKET	BRASS	SILVER PLATED
1	1	INSERT, 5/C. DC KEY, FEMALE	POLYAMIDE	BLACK

EC NO: IPG2013-0834	DRWN: BARDEN 2012/12/05	CHKD:	APPR: J. MURPHY 2013/02/26
DESCRIPTION			
REV			

QUALITY SYMBOLS	GENERAL TOLERANCES (UNLESS SPECIFIED)
▽=0	mm INCH
▽=0	4 PLACES ± --- ± ---
	3 PLACES ± --- ± ---
	2 PLACES ± 0.13 ± .01
	1 PLACE ± 0.25 ± ---
	ANGULAR ± 1/2°
	DRAFT WHERE APPLICABLE MUST REMAIN WITHIN DIMENSIONS

DIMENSION STYLE		SCALE	DESIGN UNITS	THIRD ANGLE PROJECTION
IN/MM			INCH	
DRAWN BY	DATE	TITLE		
R. STONE	2007/10/11	MICRO-CHANGE 5/C FIELD ATTACHABLE FEMALE		
CHECKED BY	DATE	MOLEX INCORPORATED		
J. MACNEIL	2007/10/16	MATERIAL NO. 848549317		
APPROVED BY	DATE	DOCUMENT NO. SD-84854-019		
J. MACNEIL	2007/10/16	SHEET NO. 1 OF 1		