



Chipsmall Limited consists of a professional team with an average of over 10 year of expertise in the distribution of electronic components. Based in Hongkong, we have already established firm and mutual-benefit business relationships with customers from,Europe,America and south Asia,supplying obsolete and hard-to-find components to meet their specific needs.

With the principle of “Quality Parts,Customers Priority,Honest Operation,and Considerate Service”,our business mainly focus on the distribution of electronic components. Line cards we deal with include Microchip,ALPS,ROHM,Xilinx,Pulse,ON,Everlight and Freescale. Main products comprise IC,Modules,Potentiometer,IC Socket,Relay,Connector.Our parts cover such applications as commercial,industrial, and automotives areas.

We are looking forward to setting up business relationship with you and hope to provide you with the best service and solution. Let us make a better world for our industry!



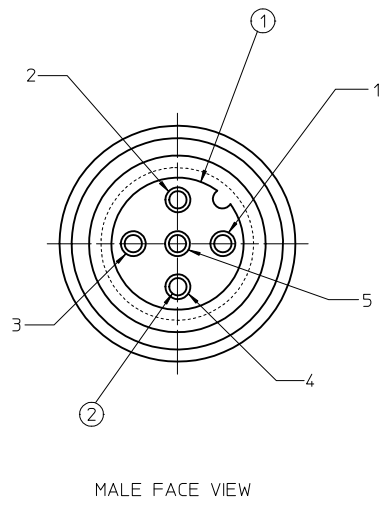
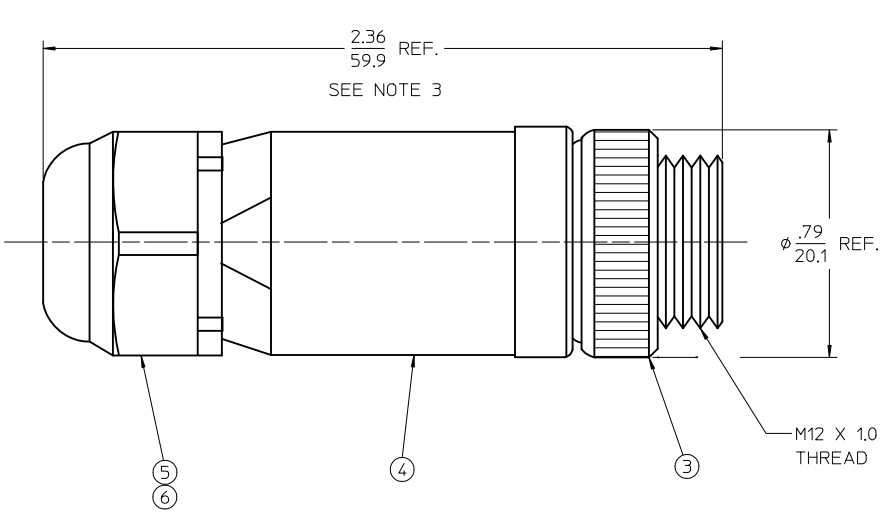
Contact us

Tel: +86-755-8981 8866 Fax: +86-755-8427 6832

Email & Skype: info@chipsmall.com Web: www.chipsmall.com

Address: A1208, Overseas Decoration Building, #122 Zhenhua RD., Futian, Shenzhen, China

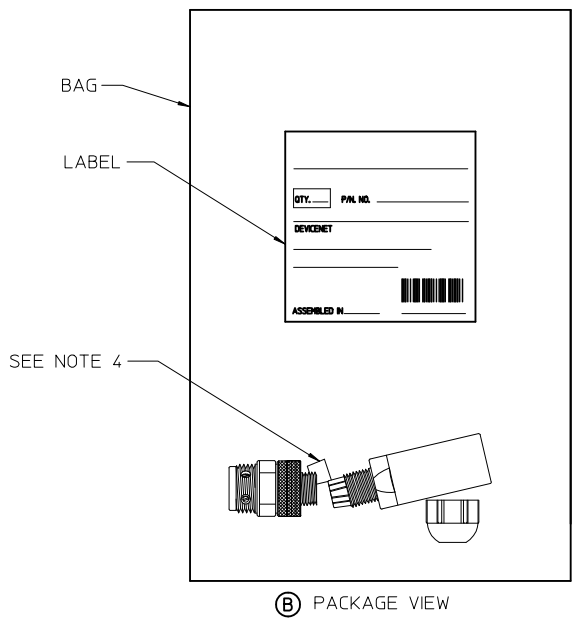




MALE FACE VIEW

NOTES:

- 1. CABLE RANGE: .16 to .32 DIA. (4.1mm TO 8.1mm)
- 2. MAX CONDUCTOR SIZE: 18 AWG
- ③ 3. PART SHOWN ASSEMBLED FOR DIMENSIONAL REF. ONLY
- 4. COMPONENTS ARE SHIPPED AS UNASSEMBLED KIT



③ PACKAGE VIEW

ITEM	QTY.	DESCRIPTION	MATERIAL	FINISH
6	1	PACKING GLAND (GROMMET)	NITRILE RUBBER	BLACK
5	1	PACKING NUT	NYLON	BLACK
4	1	OVERMOLD	POLYAMIDE	BLACK
3	1	COUPLING NUT	BRASS	NICKEL PLATED
2	5	CONTACT SOCKET	BRASS	SILVER PLATED
1	1	INSERT, 5/C. DC KEY, FEMALE	POLYAMIDE	BLACK

REV'D NOTES, ADD PACKAGE VIEW EC NO: WNA2011-0512 DRWR: RSTONE CHKD: JZMWIK APPR: JF MURPHY	2011/04/20 2011/04/21 2011/08/13	DESCRIPTION
	QUALITY SYMBOLS ▽=0 ▽=0	
	GENERAL TOLERANCES (UNLESS SPECIFIED)	
	DIMENSION STYLE IN/MM	
	SCALE 3:1	

4 PLACES ± --- ± --- 3 PLACES ± --- ± --- 2 PLACES ± 0.13 ± .01 1 PLACE ± 0.25 ± --- ANGULAR ± 1/2°	DRAFT WHERE APPLICABLE MUST REMAIN WITHIN DIMENSIONS
---	--

DRAWN BY R. STONE	DATE 2007/10/11
CHECKED BY J. MACNEIL	DATE 2007/10/16
APPROVED BY J. MACNEIL	DATE 2007/10/16
MATERIAL NO. 848549318	

DESIGN UNITS INCH	THIRD ANGLE PROJECTION
MICRO-CHANGE 5/C FIELD ATTACHABLE MALE	
MOLEX INCORPORATED	
DOCUMENT NO. SD-84854-020	SHEET NO. 1 OF 1
THIS DRAWING CONTAINS INFORMATION THAT IS PROPRIETARY TO MOLEX INCORPORATED AND SHOULD NOT BE USED WITHOUT WRITTEN PERMISSION	