



Chipsmall Limited consists of a professional team with an average of over 10 year of expertise in the distribution of electronic components. Based in Hongkong, we have already established firm and mutual-benefit business relationships with customers from,Europe,America and south Asia,supplying obsolete and hard-to-find components to meet their specific needs.

With the principle of "Quality Parts,Customers Priority,Honest Operation,and Considerate Service",our business mainly focus on the distribution of electronic components. Line cards we deal with include Microchip,ALPS,ROHM,Xilinx,Pulse,ON,Everlight and Freescale. Main products comprise IC,Modules,Potentiometer,IC Socket,Relay,Connector.Our parts cover such applications as commercial,industrial, and automotives areas.

We are looking forward to setting up business relationship with you and hope to provide you with the best service and solution. Let us make a better world for our industry!



## Contact us

Tel: +86-755-8981 8866 Fax: +86-755-8427 6832

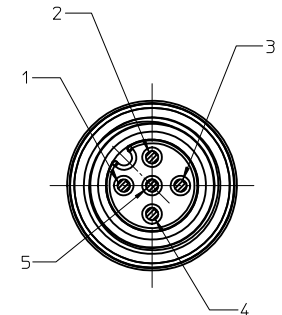
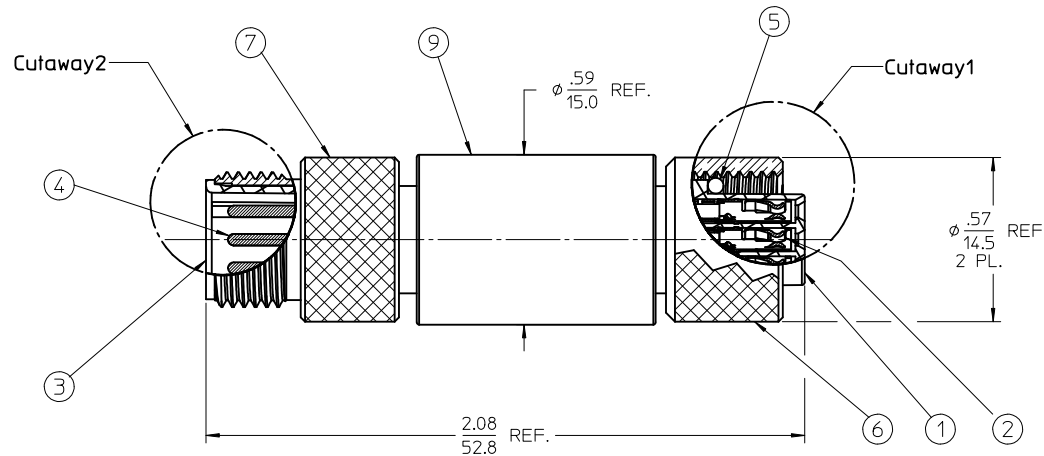
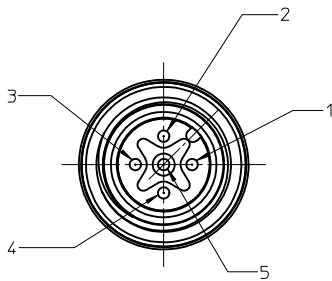
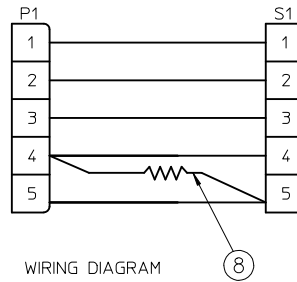
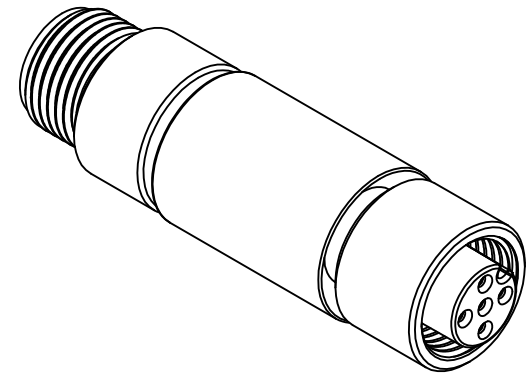
Email & Skype: info@chipsmall.com Web: www.chipsmall.com

Address: A1208, Overseas Decoration Building, #122 Zhenhua RD., Futian, Shenzhen, China



NOTES:

- 1. MATERIAL: SEE TABLE
- 2. FINISHES: SEE TABLE
- 3. PACKAGING: PACKED IN POLY BAG WITH BARCODE LABEL
- 5. MATES WITH: MIC 5/C CABLE
- 6. ELECTRICAL SPECIFICATIONS:  
 VOLTAGE RATING: 30VAC, 36 VDC  
 CURRENT RATING: 4.0 AMPS



9	1	OVERMOLD	PVC	BLACK
8	1	RESISTOR, 1/4 WATT, 121 OHMS	STD. SPEC	
7	1	COUPLING NUT, EXT. THREAD	BRASS	NICKEL PLATED
6	1	COUPLING NUT, INT. THREAD	BRASS	NICKEL PLATED
5	1	O-RING	VITON	RED
4	5	CONTACT PIN	Cu ALLOY	GOLD PLATED
3	1	INSERT, MALE, 5/C	NYLON	BLACK
2	5	CONTACT SOCKET	Cu ALLOY	GOLD PLATED
1	1	INSERT, FEMALE, 5/C	NYLON	BLACK
ITEM	QTY.	DESCRIPTION	MATERIAL	FINISH

RELEASED	EC NO: MNA2010-0402	2010/01/05
DRWNR:STONE	2010/01/07	
CHKD:	2010/01/07	
APPR:JMURPHY	2010/01/07	
DESCRIPTION		
REV		

QUALITY SYMBOLS  
 ▽=0  
 ▽=0

GENERAL TOLERANCES (UNLESS SPECIFIED)

	mm	INCH
4 PLACES	± .005	± .0004
3 PLACES	± .008	± .0003
2 PLACES	± .015	± .0005
1 PLACE	± 0.3	± .012
ANGULAR ±1/2°		

DRAFT WHERE APPLICABLE  
 MUST REMAIN  
 WITHIN DIMENSIONS

DIMENSION STYLE	
IN/MM	
DRAWN BY	DATE
R.STONE	2009/12/30
CHECKED BY	DATE
B.WOODMAN	2010/01/06
APPROVED BY	DATE
J.MURPHY	2010/01/08

MATERIAL NO.  
**848549319**

SIZE  
 C

SCALE	DESIGN UNITS	THIRD ANGLE PROJECTION
3:1	INCH	

TITLE  
**MIC PASS THRU  
 TERMINATOR  
 5C MALE/FEMALE**

**molex MOLEX INCORPORATED**

DOCUMENT NO. **SD-84854-026** SHEET NO. **1 OF 1**

THIS DRAWING CONTAINS INFORMATION THAT IS PROPRIETARY TO MOLEX INCORPORATED AND SHOULD NOT BE USED WITHOUT WRITTEN PERMISSION