



Chipsmall Limited consists of a professional team with an average of over 10 year of expertise in the distribution of electronic components. Based in Hongkong, we have already established firm and mutual-benefit business relationships with customers from,Europe,America and south Asia,supplying obsolete and hard-to-find components to meet their specific needs.

With the principle of "Quality Parts,Customers Priority,Honest Operation,and Considerate Service",our business mainly focus on the distribution of electronic components. Line cards we deal with include Microchip,ALPS,ROHM,Xilinx,Pulse,ON,Everlight and Freescale. Main products comprise IC,Modules,Potentiometer,IC Socket,Relay,Connector.Our parts cover such applications as commercial,industrial, and automotives areas.

We are looking forward to setting up business relationship with you and hope to provide you with the best service and solution. Let us make a better world for our industry!



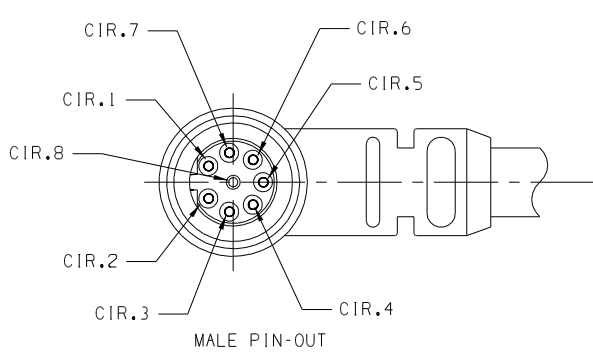
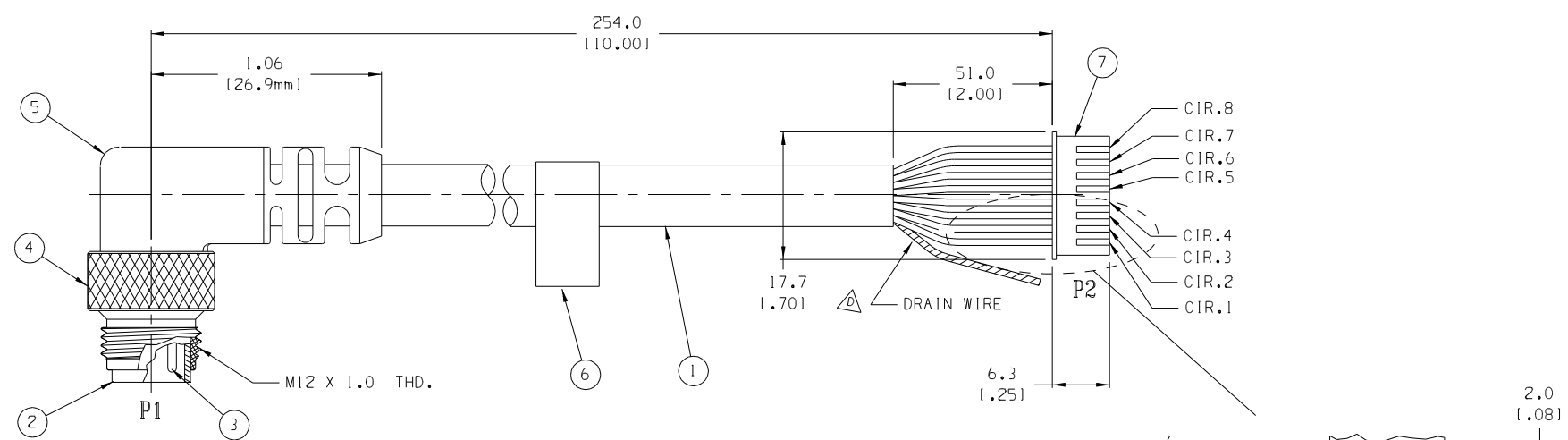
Contact us

Tel: +86-755-8981 8866 Fax: +86-755-8427 6832

Email & Skype: info@chipsmall.com Web: www.chipsmall.com

Address: A1208, Overseas Decoration Building, #122 Zhenhua RD., Futian, Shenzhen, China





WIRING DIAGRAM

P1		P2	
1	RED	1	
2	GREEN	2	
3	WHITE	3	
4	BLUE	4	
5	BLACK	5	
6	ORANGE	6	
7	YELLOW	7	
8	BROWN	8	

- NOTES:
1. MATERIAL: SEE TABLE
 2. FINISHES: SEE TABLE
 3. PRODUCT SPECIFICATION: CABLE PER UL STD. TYPE CMP, C(UL) TYPE CMG
 4. PACKAGING: NOT REQUIRED
 5. MATES WITH: 8/C MICRO-C (FEMALE) CUSTOMER SPECIFIC COMPONENT
- △ REF. BELDEN CABLE P/N 9538 OR EQUAL.

ITEM	QTY.	DESCRIPTION	MATERIAL	FINISH
8	1	CRIMP RECEPTACLE	PHOS.BRONZE	TIN PLATED
7	4	RECEPTACLE HOUSING, 8/C	NYLON	BLACK
6	1	LABEL	MYLAR	BLACK/CHROME
5	1	OVERMOLD BODY	PVC	GRAY
4	1	COUPLING RING, EXT.TH.D., METRIC	BRASS	NICKEL PLATED
3	8	CONTACT PIN	CU ALLOY	GOLD PLATED
2	1	PIN INSERT, 8/C	NYLON	BLACK
1	A/R	CABLE, 8/C, 24 AWG, UL STYLE 2464	PVC JACKET	CHROME

EC NO. ECO 11654 DRAWN: CH:K: RS 06-09-05 APPR:	QUALITY SYMBOLS MAJOR: ▽ CRITICAL: ▽ SPC: ▽ S: ▽	GENERAL TOLERANCES: (UNLESS SPECIFIED) mm INCH		SCALE: - DESIGN UNITS: <input type="checkbox"/> mm <input checked="" type="checkbox"/> INCH	THIRD ANGLE PROJECTION	PROJECT NO.: - DIMENSIONS: <input checked="" type="checkbox"/> mm <input type="checkbox"/> INCH <input type="checkbox"/> mm ONLY	SHT: - REV: - REVISE ON CAD ONLY
		DRAWN BY & DATE: R.STONE 12-22-03 CHECKED BY & DATE: R.KEMP 12-30-03 APPROVED BY & DATE: P.WALTZ 01-02-04		TITLE: MICRO-C, RA, MALE, 8/C, METRIC THDS.			
		CAD FILENAME: SD-84907-003 MATERIAL NO.: 849070079 DRAWING NO.: SD-84907-003		SHEET NO.: 1 OF 1			
		DRAFT WHERE APPLICABLE MUST REMAIN WITHIN DIMENSIONS				THIS DRAWING CONTAINS INFORMATION THAT IS PROPRIETARY TO MOLEX INCORPORATED AND SHOULD NOT BE USED WITHOUT WRITTEN PERMISSION.	