



Chipsmall Limited consists of a professional team with an average of over 10 year of expertise in the distribution of electronic components. Based in Hongkong, we have already established firm and mutual-benefit business relationships with customers from,Europe,America and south Asia,supplying obsolete and hard-to-find components to meet their specific needs.

With the principle of "Quality Parts,Customers Priority,Honest Operation,and Considerate Service",our business mainly focus on the distribution of electronic components. Line cards we deal with include Microchip,ALPS,ROHM,Xilinx,Pulse,ON,Everlight and Freescale. Main products comprise IC,Modules,Potentiometer,IC Socket,Relay,Connector.Our parts cover such applications as commercial,industrial, and automotives areas.

We are looking forward to setting up business relationship with you and hope to provide you with the best service and solution. Let us make a better world for our industry!



## Contact us

Tel: +86-755-8981 8866 Fax: +86-755-8427 6832

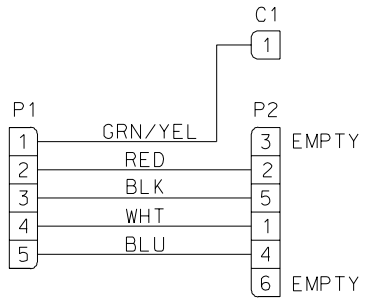
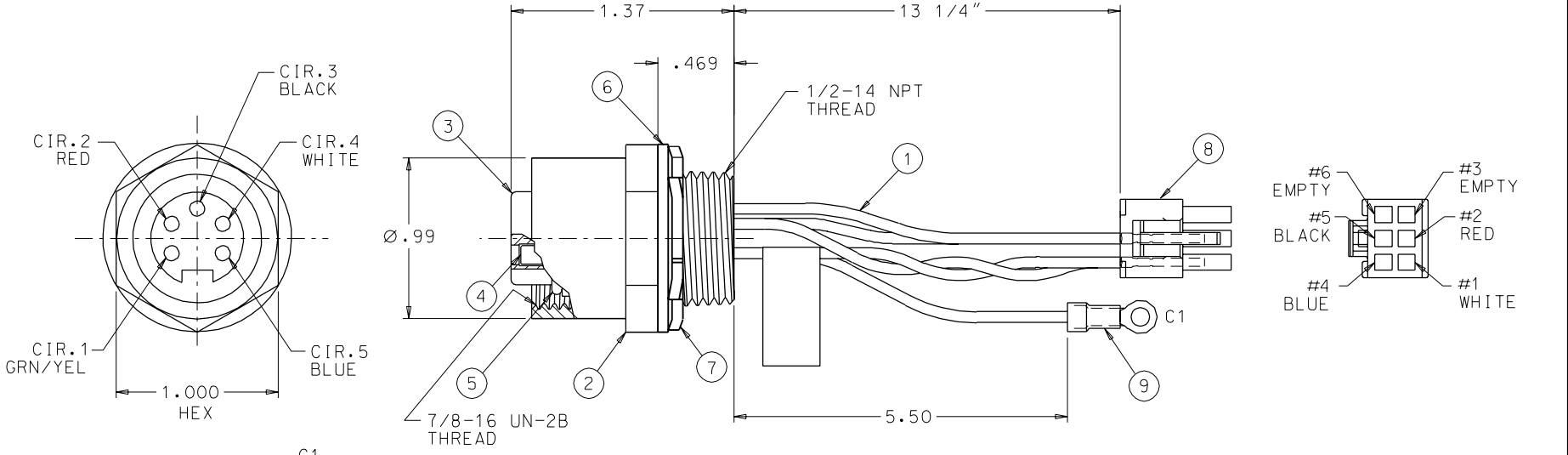
Email & Skype: info@chipsmall.com Web: www.chipsmall.com

Address: A1208, Overseas Decoration Building, #122 Zhenhua RD., Futian, Shenzhen, China



10	9
MOLEX PART NO.	MILLER ELECTRIC PART NO.
849150076	198 956

REV	DATE	ECN NO.	APPVD BY	REL BY
A	3-6-00	UM2000-0466 PROD. REL.	FVW	
B	2-9-01	UM2001-0241		



WIRING DIAGRAM

ITEM	QTY	DESCRIPTION	MATERIAL/FINISH
9	1	TERMINAL, RING TONGUE, #10 STUD	PVC INSULATED
8	1	CONNECTOR, DUAL ROW	NYLON
7	1	LOCKNUT	STEEL/ZINC PLATED
6	1	GASKET	NEOPRENE
5	1	O-RING/SEAL	BUNA-N/COLOR:BLACK
4	5	CONTACT, SOCKET	CU ALLOY/GOLD PLATED
3	1	INSERT, 5/C	PVC/COLOR:GRAY
2	1	RCPT. SHELL, INT. THDS.	ALUMINUM/BLACK ANODIZE
1	SEE ABOVE	WIRE, 22 AWG.	PVC INSULATED

UL AND C(UL) RECOGNIZED SPECIFICATIONS:  
 VOLTAGE RATING-250V  
 CURRENT RATING-4 AMPS

1. RECOMMENDED MOUNTING HOLE SIZE: .875"/.844" DIAMETER.

NOTES: UNLESS OTHERWISE SPECIFIED

<b>QUALITY SYMBOLS</b> MAJOR  = CRITICAL  = SPC  =	UNLESS SPECIFIED: ALL DIMENSIONS IN INCHES  GENERAL TOLERANCES: 3 PLACE ±.005 2 PLACE ±.01 ANGULAR ±2°	SCALE --- DWG SIZE B DRAWN BY & DATE GF 3-6-00 CHECKED BY & DATE DW 3-6-00 APPROVED BY & DATE DW 3-6-00	THIRD ANGLE PROJECTION REVISE ON CAD ONLY  TITLE: MINI-C, RECEPTACLE, FEMALE, 5 POLE, 22 AWG., DEVICE NET	
	Mfr-Mate CAGE CODE 58967	<b>MOLEX INCORPORATED</b> Orange, CA 92868	PART NO. SEE CHART DRAWING NO. SD-84915-0076 SHEET NO. 1 OF 1	REV B
	THIS DRAWING CONTAINS INFORMATION THAT IS PROPRIETARY TO MOLEX INCORPORATED AND SHOULD NOT BE USED WITHOUT WRITTEN PERMISSION.			
	LBORD.DGN REV A 96/06/12 LEVEL 17			