



Chipsmall Limited consists of a professional team with an average of over 10 year of expertise in the distribution of electronic components. Based in Hongkong, we have already established firm and mutual-benefit business relationships with customers from,Europe,America and south Asia,supplying obsolete and hard-to-find components to meet their specific needs.

With the principle of “Quality Parts,Customers Priority,Honest Operation,and Considerate Service”,our business mainly focus on the distribution of electronic components. Line cards we deal with include Microchip,ALPS,ROHM,Xilinx,Pulse,ON,Everlight and Freescale. Main products comprise IC,Modules,Potentiometer,IC Socket,Relay,Connector.Our parts cover such applications as commercial,industrial, and automotives areas.

We are looking forward to setting up business relationship with you and hope to provide you with the best service and solution. Let us make a better world for our industry!



Contact us

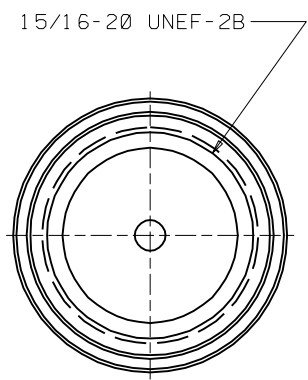
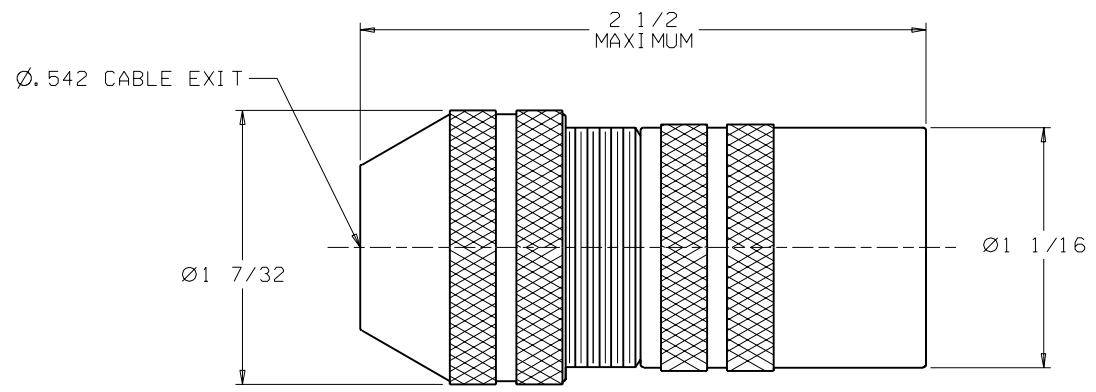
Tel: +86-755-8981 8866 Fax: +86-755-8427 6832

Email & Skype: info@chipsmall.com Web: www.chipsmall.com

Address: A1208, Overseas Decoration Building, #122 Zhenhua RD., Futian, Shenzhen, China



REV	DATE	ECN NO.	APPVD BY	REL BY
G	12-28-98	UM9-0238 UPDATED REVISION	FVW	
H	11-3-99	UM2000-0319 REFORMATTED		



1.0 RECOGNIZED AGENCY APPROVALS:

CSA CERTIFICATION AND UL RECOGNITION IS PLANNED.

2.0 MECHANICAL SPECIFICATIONS:

MATERIAL:

BACKSHELL, COMPRESSION NUT, AND CONE: GLASS REINFORCED NYLON
SEALS: RUBBER

3.0 CABLE SECUREMENT

3.1 EACH CABLE BACKSHELL WHEN ASSEMBLED WITH THE SMALLEST DIAMETER CABLE IN THE SPECIFIED RANGE WILL BE CAPABLE OF SURVIVING A DEAD WEIGHT PULL OF 35 LBS. FOR 1 MINUTE PER UL-STD-514.

3.2 EACH CABLE BACKSHELL WHEN ASSEMBLED WITH MIDPOINT OF THE RANGE CABLE WILL BE CAPABLE OF A DEAD WEIGHT PULL OF 50 LBS. FOR 1 MINUTE PER UL-STD-514.

4.0 ENVIRONMENTAL SPECIFICATIONS:

4.1 RAIN TIGHT: THE BACKSHELL WHEN ASSEMBLED WITH THE PROPER CABLE AND CONNECTOR WILL MEET THE RAIN TEST REQUIREMENT DEFINED IN UL-STD-514.

TEMPERATURE RATING: -40 DEGREES C TO +90 DEGREES C.

4.2 SALT SPRAY: 500 HOUR SALT SPRAY PER MIL-STD-1344 METHOD 1001.

QUALITY SYMBOLS MAJOR = CRITICAL = SPC =	UNLESS SPECIFIED: ALL DIMENSIONS IN INCHES GENERAL TOLERANCES: 3 PLACE ±.005 2 PLACE ±.01 ANGULAR ±2°	SCALE 2:1 DWG SIZE B	THIRD ANGLE PROJECTION 	REVISE ON CAD ONLY
	Uti-Mate CAGE CODE 58967	DRAWN BY & DATE CLC 8-18-92 CHECKED BY & DATE DW 8-18-92 APPROVED BY & DATE DW 8-18-92	TITLE: CABLE BACKSHELL, 15/16"-20 UNEF, .300/.525	MOLEX INCORPORATED Orange, CA 92868
THIS DRAWING CONTAINS INFORMATION THAT IS PROPRIETARY TO MOLEX INCORPORATED AND SHOULD NOT BE USED WITHOUT WRITTEN PERMISSION.				REV H