



Chipsmall Limited consists of a professional team with an average of over 10 year of expertise in the distribution of electronic components. Based in Hongkong, we have already established firm and mutual-benefit business relationships with customers from,Europe,America and south Asia,supplying obsolete and hard-to-find components to meet their specific needs.

With the principle of "Quality Parts,Customers Priority,Honest Operation,and Considerate Service",our business mainly focus on the distribution of electronic components. Line cards we deal with include Microchip,ALPS,ROHM,Xilinx,Pulse,ON,Everlight and Freescale. Main products comprise IC,Modules,Potentiometer,IC Socket,Relay,Connector.Our parts cover such applications as commercial,industrial, and automotives areas.

We are looking forward to setting up business relationship with you and hope to provide you with the best service and solution. Let us make a better world for our industry!



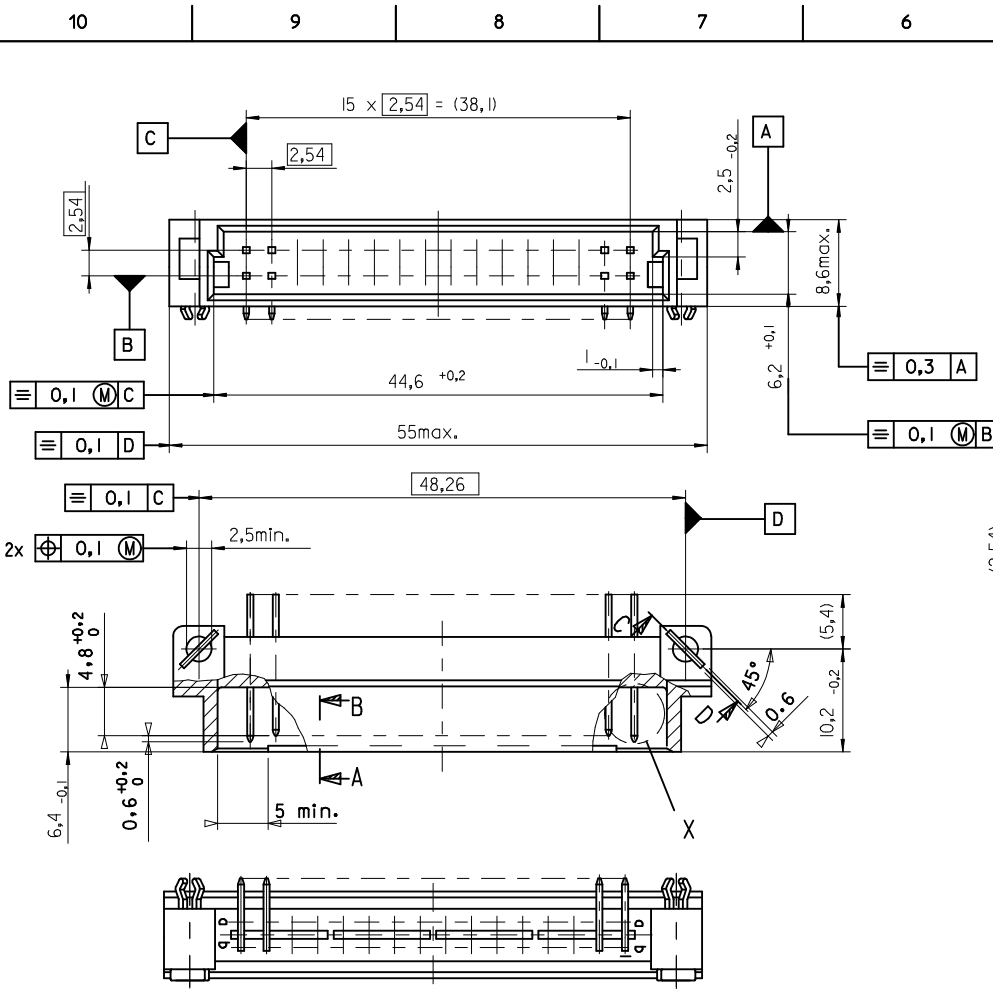
Contact us

Tel: +86-755-8981 8866 Fax: +86-755-8427 6832

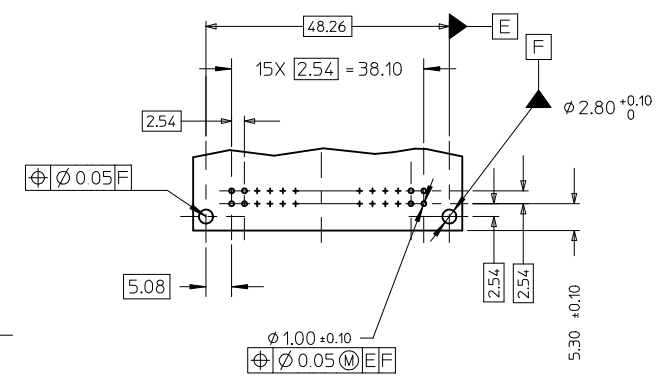
Email & Skype: info@chipsmall.com Web: www.chipsmall.com

Address: A1208, Overseas Decoration Building, #122 Zhenhua RD., Futian, Shenzhen, China

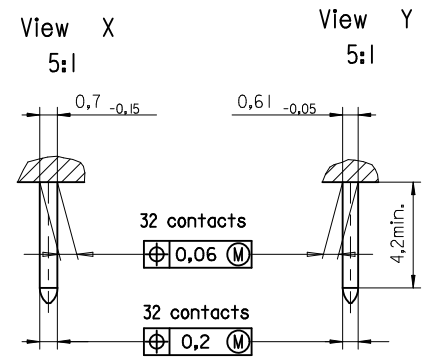




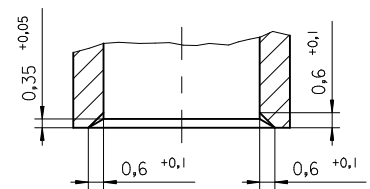
RECOMMENDED PCB LAYOUT
COMPONENT SIDE



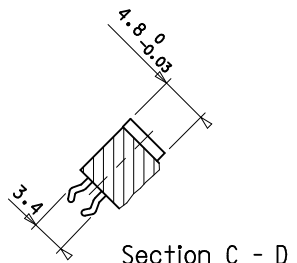
RECOMMENDED PCB THICKNESS - 1.6MM



Section A - B
5:1



Section C - D



ENTER DESCRIPTION EC NO: I2011-0346 DRWN: VUTTARKAR 2011/08/31 CHKD: KRASAD APPR: KRASAD 2011/09/02	QUALITY SYMBOLS $F_A=0$ $F_C=0$ $F_D=0$	GENERAL TOLERANCES (UNLESS SPECIFIED)		DIMENSION STYLE MM ONLY	SCALE ---	DESIGN UNITS METRIC	FIRST ANGLE PROJECTION
		mm	INCH	DRAWN BY VUTTARKAR	DATE ---	TITLE 32POS. MALE CONNECTOR ACC. DIN 41612 STYLE B/2 DIMENSIONS	
		4 PLACES ± --- ± --- 3 PLACES ± --- ± --- 2 PLACES ± --- ± --- 1 PLACE ± --- ± ---	ANGULAR ± ---°	CHECKED BY KRASAD	DATE ---		
DRAFT WHERE APPLICABLE MUST REMAIN WITHIN DIMENSIONS		MATERIAL NO. ---	DATE ---	DOCUMENT NO. SDA-85001-0002	SHEET NO. 1 OF 01		
MOLEX INCORPORATED				THIS DRAWING CONTAINS INFORMATION THAT IS PROPRIETARY TO MOLEX INCORPORATED AND SHOULD NOT BE USED WITHOUT WRITTEN PERMISSION			

VIEW ON MATING SIDE

∞	B	B	B	B	B	B	B	B	B	B	B	B	B	B
◁	A	A	A	A	A	A	A	A	A	A	A	A	A	A

① ② ③ ④ ⑤ ⑥ ⑦ ⑧ ⑨ ⑩ ⑪ ⑫ ⑬ ⑭ ⑮ ⑯ ⑰ ⑱ ⑲ ⑳ ㉑ ㉒ ㉓ ㉔ ㉕ ㉖ ㉗ ㉘ ㉙ ㉚ ㉛ ㉜ ㉝ ㉞ ㉟ ㊱ ㊲ ㊳ ㊴ ㊵ ㊶ ㊷ ㊸ ㊹ ㊺ ㊻ ㊼ ㊽ ㊾ ㊿

A = 16 STANDARD CONTACTS L=3

B = 16 STANDARD CONTACTS L=3

S = 32 TOTAL NUMBER OF CONTACTS

Marking	Standard
Performance level	G2/0 = Contact area level2 / Termination tin
Flux proof	no
Fixing clip	no
Dimensions	SDA-85001-0002 sht.1
Technical Data	PS-85003-0001

B	G2/0
A	G2/0
Contact symbol	Perform. level
	Contact position number

C	see ECN No. 2204
	96/07/18 Cd
LTR	REVISIONS
	FOR PREVIOUS REVISIONS SEE MRI LIST

UNLESS OTHERWISE SPECIFIED TOLERANCES: ANGULAR ± 2°	DRWG BY	SIGN
INCH	Cd	
3 PLACE ± .	CHK'D BY	SIGN
2 PLACE ± .	KN	
1 PLACE ± .	APP'D BY	SIGN
DRAFT WHERE APPLICABLE MUST REMAIN WITHIN DIMENSIONS	SCALE	
DESIGN DIMENSION <input type="checkbox"/> MM <input type="checkbox"/> IN.		
EQUIVALENT DIMENSION <input type="checkbox"/> MM <input type="checkbox"/> IN.		
IF TWO DIMENSIONS ARE SHOWN, THE UPPER IS THE DESIGN DIMENSION, LOWER IS SECONDARY		

REVISE ONLY ON CAD SYSTEM	SH. REV.
CAD/CAM PROJECT NAME	THIS DRAWING CONTAINS PROPRIETARY TO MOLEX INC. & SHOULD NOT BE USED WITHOUT WRITTEN PERMISSION
S8500100	S11
TITLE	
32 pos. Male connector acc. DIN 41612 style B/2 contacts arrangement	
SHEET NO.	DATE
1 OF 1	95/05/23
PART NO.	
85001-0012	SDA-85001-0012
SIZE	
A	